

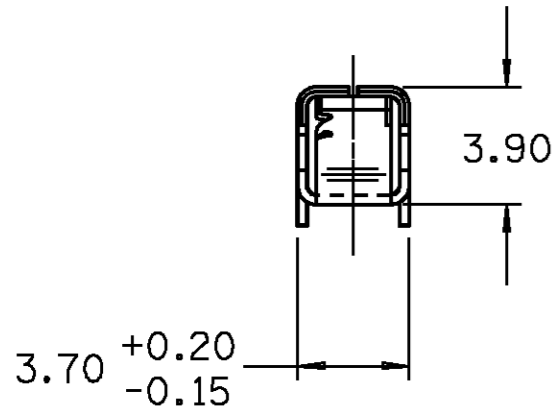
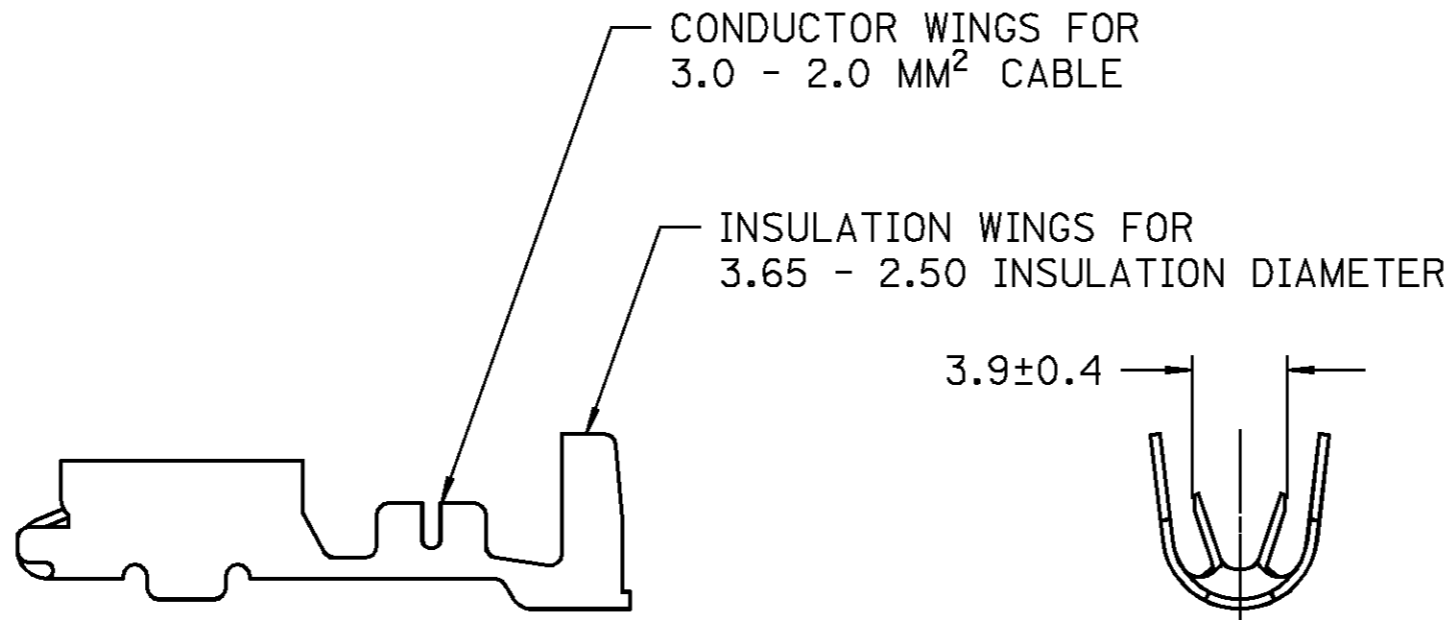
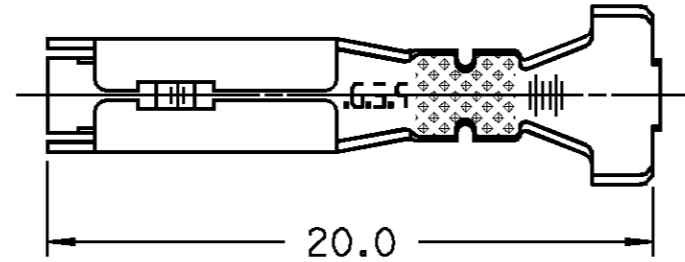
D

THIS DRAWING AND DESIGN HEREON CONSTITUTES A PROPRIETARY DESIGN OF PACKARD ELECTRIC DIVISION AND IS NOT TO BE DUPLICATED OR REPRODUCED WITHOUT AUTHORITY OF PACKARD ELECTRIC DIVISION.

DO NOT SCALE

PACKARD ELECTRIC DIVISION
GENERAL MOTORS CORPORATION
WARREN, OHIO

PART NO.
1211 0845

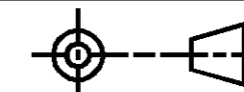


NOTE - MATING TERMINAL 12048159 OR EQUIVALENT.

DATE	SYM	REVISION RECORD	AUTHORITY	DR	CK
26MR91	D	RELEASED	910005	BKD	BKD
06MY91	E	ADDED TABS 2 PLCS	141852	BAR	BAR
01JL91	F	REVISED GRAPHICS	143053	BKD	BKD
02FE92	G	ADVANCED REVISION LEVEL	147002	WHP	HH
12JL93	H	ADVANCED REVISION LEVEL	156472	TEB	TEB
30JL96	—	REVISED DETAIL- NO REV UPDATE REQ'D FOR P.I.D.	156472	TEB	TEB
			173849	HH	HH

PED/INTEGRATED EMS
FILE SPEC: ***USER***
DGN SPECIFICATION*****
*****SYTIME*****

THIRD ANGLE PROJECTION



METRIC

DIMENSIONS ARE IN MILLIMETERS
UNLESS OTHERWISE SPECIFIED.

CODE NO. 6900	TOLERANCE UNLESS OTHERWISE SPECIFIED DECIMAL: ANGULAR ± 2° ONE PLACE ± 0.3 TWO PLACE ± 0.15
Q.C.	DR. BRIAN K. DEW 26MR91
DWG. DATE 26MR91	SCALE NONE
EST. NO.	CK. BRIAN K. DEW DATE 26MR91
REFERENCE NO. 12110848 "D" SIZE	APPR. AL HERRMANN DATE 27MR91 APPR. R. A. PETROSKY DATE 27MR91

MATERIAL SPEC. 0.32 THK. CA425 BRASS

NAME TERM F M/P 280 SEALED TANGLESS

PART NO. 1211 0845
OUTLINE DRAWING
SIZE B