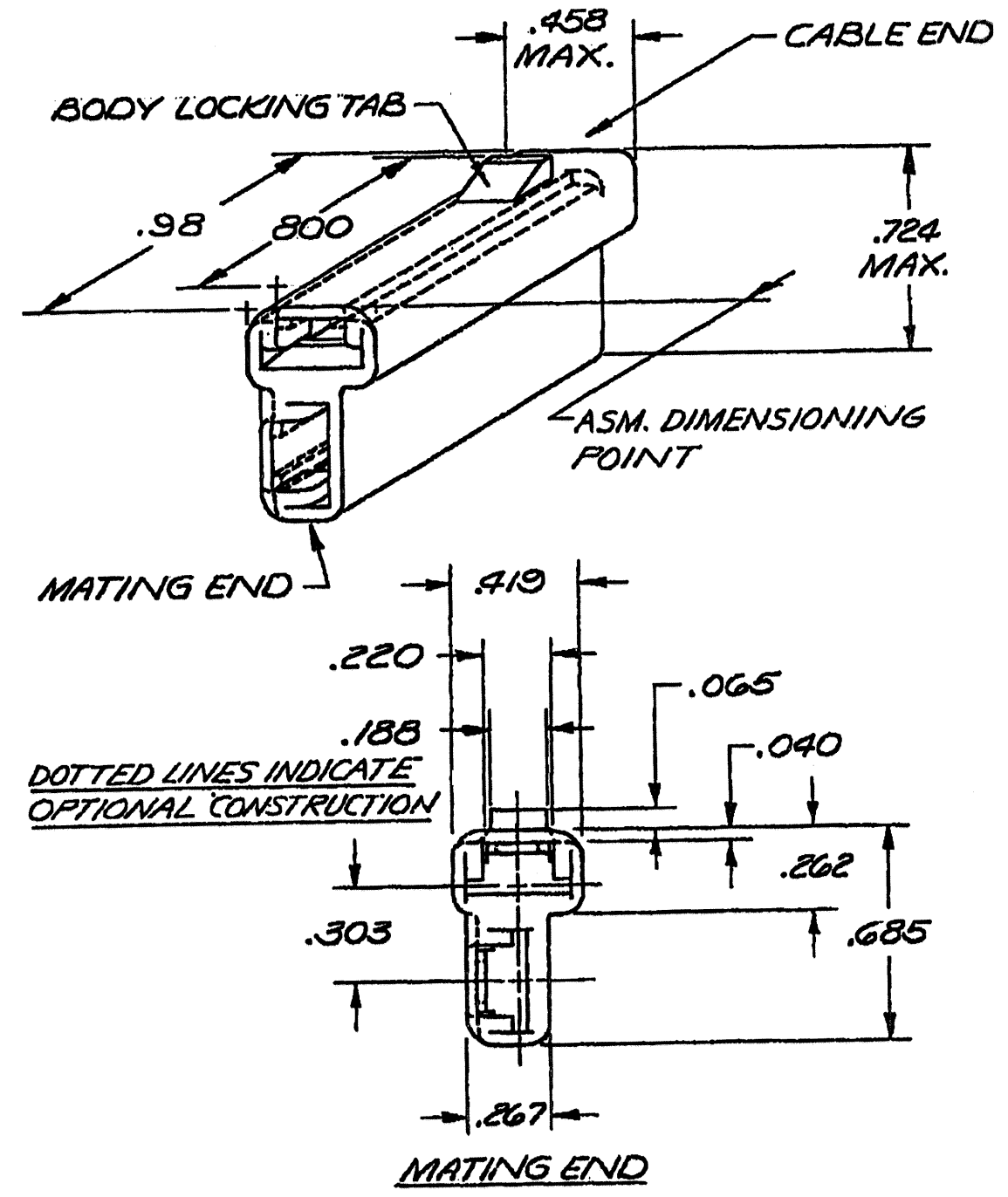


DWG STATUS					ZONE	REVISION HISTORY	AUTH	DR	APVD 1	APVD 2
DATE	STG	REV	N/P	CHG						
260C00	R	01	-	-		ALL ACTIVE PARTS - ADDED REVISION COLUMN	204045	RVP	RVP	RC
070C04	R	02	-	-		ADDED NOTES 3 & 4; UPDATED MATERIAL SPECS. AND UPDATED FORMAT	257640	EES	EES	ET



NOTES

- UNLESS OTHERWISE SPECIFIED AND/OR INDICATED: DIMENSIONS ARE TO FACE OF VIEW SHOWN. ALL RADII 0.015. ALL CAVITIES ARE IDENTICAL.
- MATERIAL RECYCLING CODE PER ISO 11469. (2.3)X(0.1) RAISED CHARACTERS AS SHOWN TO BE LOCATED ON ANY EXTERIOR SURFACE. OPTIONAL CONSTRUCTION TO BE NO MATERIAL RECYCLING CODE.
- (2.3)X(0.1) RAISED DELPHI CORPORATE BRAND TO BE LOCATED ON ANY EXTERIOR SURFACE, PREFERABLY VISIBLE AT FINAL ASSEMBLY. OPTIONAL CONSTRUCTION TO BE "PED" OR NO LOGO.

DWG TYPE		PART DRAWING	
STYLE			
VOLUME (CM ³)	DISTR CODE		
NA	D		
UNLESS OTHERWISE SPECIFIED			
THIS DOCUMENT IS IN ACCORDANCE WITH ASME Y14.5M-1994 AS AMENDED BY THE GM GLOBAL DIMENSIONING AND TOLERANCING ADDENDUM-2001. SEPARATE PATTERNS OF FEATURES MAY BE GAGED SEPARATELY REGARDLESS OF DATUM REFERENCES.			
ALL DIMENSIONS ARE IN INCHES			
REFERENCE			

DELPHI

DELPHI PACKARD ELECTRIC SYSTEMS
WARREN, OH

DATE	
DR	26FE64
APVD1	L. RUBIMIC 31AU81
APVD2	J. CRAWFORD 08SE81
APVD3	
APVD4	
APVD5	

SUBSTANCES OF CONCERN AND RECYCLED
CONTENT PER DELPHI 10949001

MATERIAL
SEE CHART

DRAWING NAME
TAXI CONN 56

DRAWING NUMBER
02989596

SIZE	SCALE	FRAME NO	SHEET NO	STG	REV	N/P
A2	N/A	1 OF 1	1 OF 1	R	02	-

08900189	-	-	OBSOLETE	R-67553 - POLYPROPYLENE	
02989597	05	-		M2097002 PP IM NAT	001
02973781	05	-		M2097001 PP IM BLK	
PART NO	REV	N/P	STATUS	MATERIAL SPECIFICATION AND COLOR	CODE

UNLESS OTHERWISE SPECIFIED
TWO PLACE DECIMALS ± 0.01
THREE PLACE DECIMALS ± 0.005
ANGLES ± 2°

THIRD ANGLE
PROJECTION

DO NOT
SCALE

USE MATH
DATA

S:\L175... 08989596-CUS01-S01 Date: 08-Oct-04 Time: 10:19