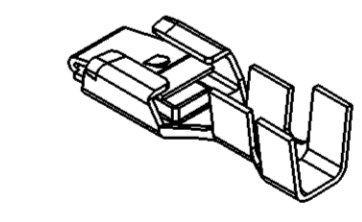
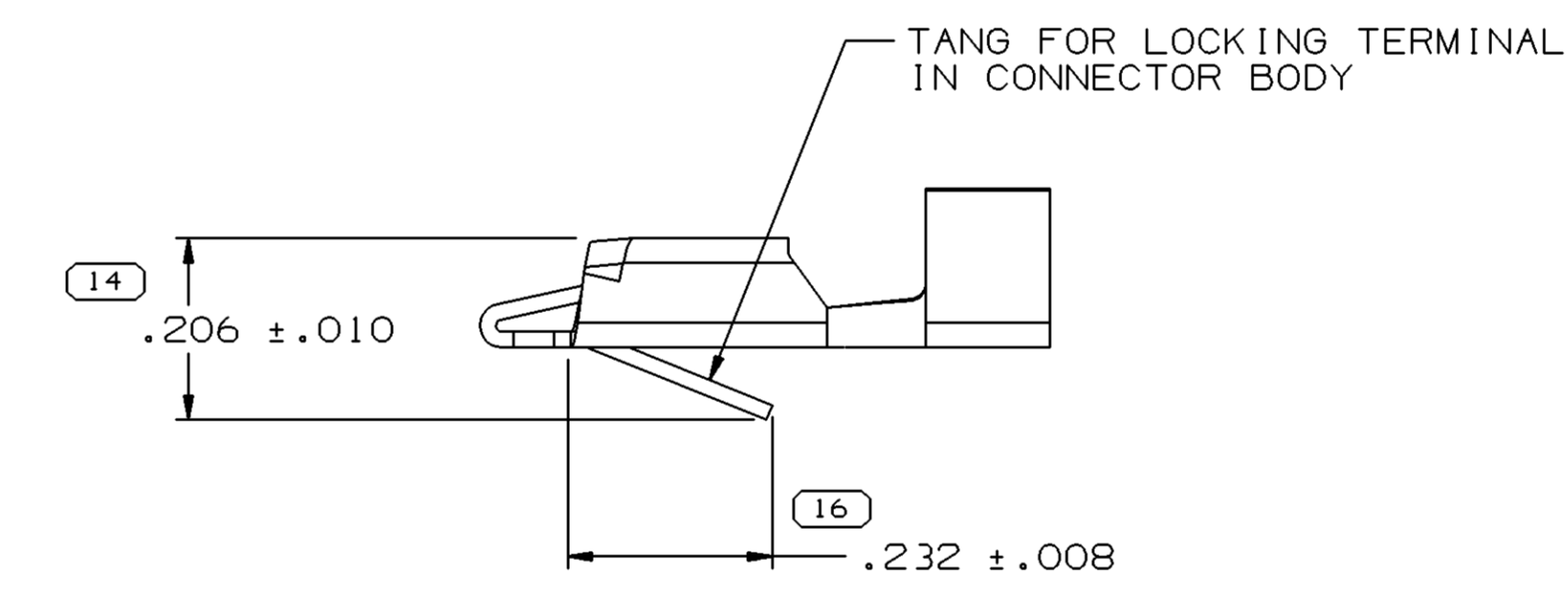
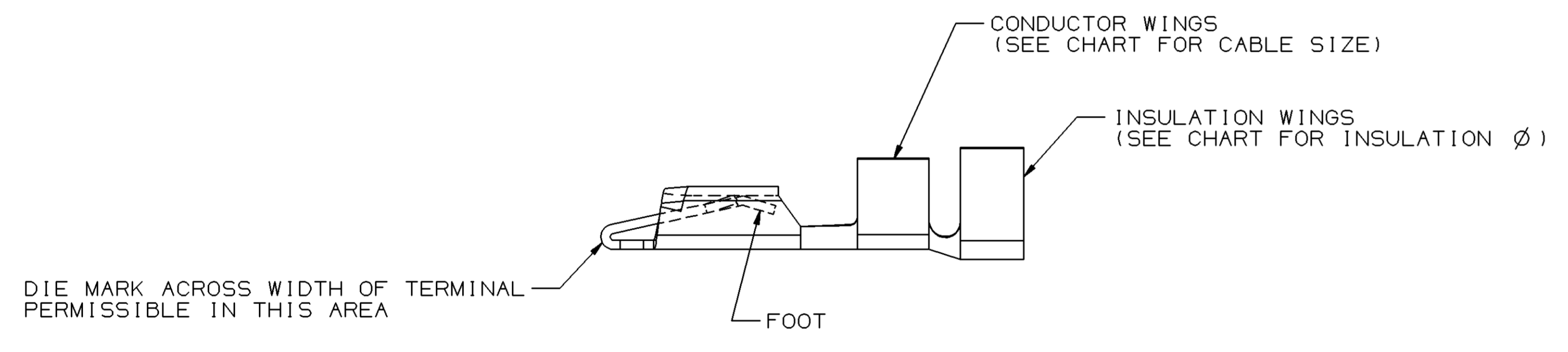
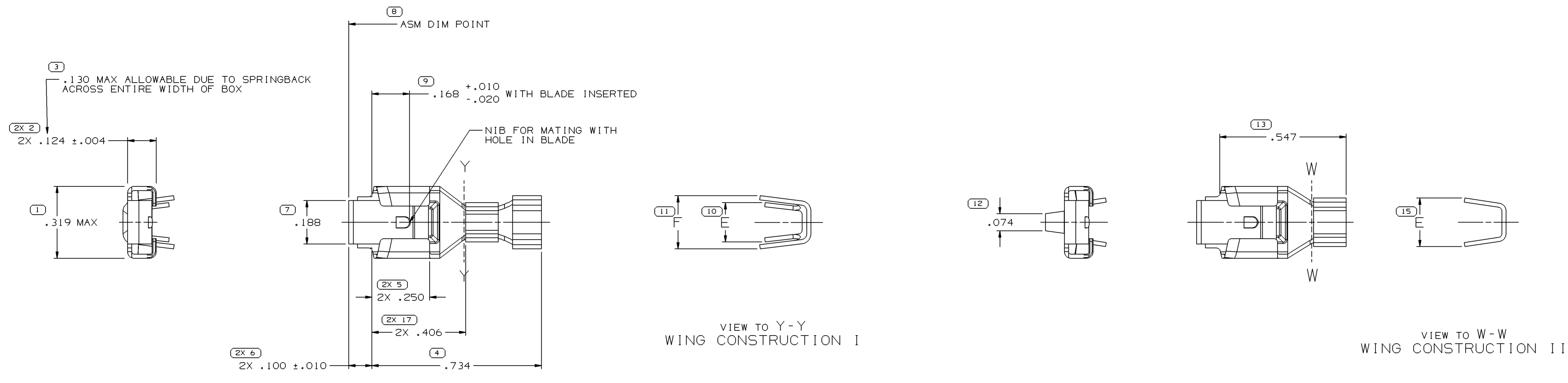


SYMBOL DEFINITION		MISSING SYMBOLS	
A DIMENSION WITHOUT AN INSPECTION REPORT SYMBOL DOES NOT REQUIRE INSPECTION. IT MAY BE CONTROLLED ON THE INDIVIDUAL COMPONENT DRAWING.	TOTAL NO OF INSPECTIONS REQUIRED	NO MISSING SYMBOL NUMBER	
	21		
	LAST NO. USED		
	17		

DATE	STG	REV	N/P	CHK	ZONE	REVISION HISTORY	AUTH	DR	APVD
060003	R	01	-	-		ALL ACTIVE PARTS - WERE SEPARATE DRAWINGS, REDRAWN TO PD AND ADDED NOTE	246206	JAA	JAA
19N003	R	02	-	-		ALL ACTIVE PARTS - UPDATED PDM ATTRIBUTES	247796	JTV	FKV



VIEW SCALE DOES NOT REFLECT ACTUAL PART SIZE

- NOTES
- UNLESS OTHERWISE SPECIFIED AND/OR INDICATED: DIMENSIONS ARE TO FACE OF VIEW SHOWN AND AUTOMATICALLY ROUNDED BY COMPUTER FOR INSPECTION (SEE MATH MODEL FOR PRECISE DIMENSIONS). FOR ALL OTHER DIMENSIONS NOT SHOWN BUT REQUIRED FOR TOOL BUILD, SEE MATH MODEL FOR PRECISE TOOL PATH DATA.
 - "PXX" INDICATES "P" PLUS LAST TWO DIGITS OF MAKE DIE SERIES NUMBER (P01, P02, P03, ETC).
 - TO FIT .032 X .250 BLADE

PART NO	REV	N/P	STATUS	MAT'L SIZE	MAT'L SPEC	PART NO	REV	N/P	STATUS	MAT'L SPEC	PART NO	REV	N/P	STATUS	MAT'L SPEC	NIB	TANG	FOOT	SIZE (MM²)	DIA (MM²)	ID	TYPE	WING CONST	E±0.015	F±0.015
12033825	C	-	OBSOLETE	.018 X 1.188	M1546058	-	-	-	-	-	-	-	-	-	-	X	X	X	3	3.65-3.49	12	403	I	.185	.305
12033734	A	-	OBSOLETE	.018 X 1.188	M1546058	-	-	-	-	-	-	-	-	-	-	X	X	X	3	3.65-3.49	12	403	I	.170	.230
08911728	A	-	-	.018 X 1.000	M1546051	-	-	-	-	-	-	-	-	-	X	X	X	5	-	10	402	II	.210	-	
06294041	C	-	OBSOLETE	.018 X 1.000	M1546051	06294042	C	-	OBSOLETE	M1598051	-	-	-	-	-	X	X	X	5	-	10	402	II	.210	-
02984478	D	-	OBSOLETE	.018 X 1.000	M1546051	-	-	-	-	-	-	-	-	-	X	X	X	3	-	12	402	II	.170	-	
02977554	C	-	OBSOLETE	.018 X 1.000	M1546051	-	-	-	-	-	-	-	-	-	X	X	X	3	-	12	402	II	.170	-	
02977188	B	-	OBSOLETE	.018 X 1.188	M1546058	-	-	-	-	-	-	-	-	-	X	X	X	3	3.65-3.49	12	401	I	.170	.230	
02965935	C	-	-	.018 X 1.188	M1546058	-	-	-	-	-	-	-	-	-	X	X	X	3	3.65-3.49	12	401	I	.170	.230	
02965933	D	-	OBSOLETE	.018 X 1.000	M1546051	12010046	D	-	-	M1598051	02965973	D	-	OBSOLETE	V-1546051	X	X	X	3	-	12	402	II	.170	-
02965592	B	-	OBSOLETE	.018 X 1.188	M1546058	-	-	-	-	-	-	-	-	-	X	X	X	3	3.65-3.49	12	401	I	.170	.230	
02962574	B	-	OBSOLETE	.018 X 1.188	M1546058	02989877	B	-	-	M1598058	02973225	B	-	OBSOLETE	V-1546058	X	X	X	3	3.65-3.49	12	401	I	.170	.230
02962544	C	-	-	.018 X 1.188	M1546058	02965143	C	-	-	M1598058	02977583	C	-	OBSOLETE	V-1546058	X	X	X	3	3.65-3.49	12	401	I	.170	.230

DRW TYPE	PART DRAWING
STYLE	
VOLUME (CM³)	DISTR CODE
ROUTING	6900
UNLESS OTHERWISE SPECIFIED	
THIS DOCUMENT IS IN ACCORDANCE WITH ASME Y14.5M-1994 AS AMENDED BY THE 2003 DIMENSIONING AND TOLERANCING ADDENDUM (2003). SEPARATE PATTERNING OF FEATURES MAY BE GIVEN SEPARATELY REGARDLESS OF DATUM REFERENCE.	
ALL DIMENSIONS ARE IN INCHES	
REFERENCE	
2 PROCESS SENSITIVE DIMENSION	
DIMENSIONAL RANGE (IN)	CHART
FROM 0 TO 500	> 500
TO 500	> 500
TOLERANCE UNLESS OTHERWISE SPECIFIED	
±.005	±.010
ANGULAR TOLERANCE 12°	
THIRD ANGLE PROJECTION	DO NOT SCALE
USE MATH DATA	

DELPHI
DELPHI PACKARD ELECTRIC SYSTEMS
WARREN, OH

DR	DATE
APVD1 J.S. ALVARADO	060003
APVD2 J.S. ALVARADO	140003
APVD3 RICHARD DICINTIO	160003
APVD4	
APVD5	

SUBSTANCES OF CONCERN AND RECYCLED CONTENT PER DELPHI 10949001

MATERIAL SEC CHART

DRAWING NAME
TAXI TERM F 56 STR

DRAWING NUMBER
02962874

SIZE A0 SCALE 5:1 FRAME NO 1 SHEET NO 4 OF 4 REV N/P R 02