

PACKARD ELECTRIC DIVISION

GENERAL MOTORS CORPORATION

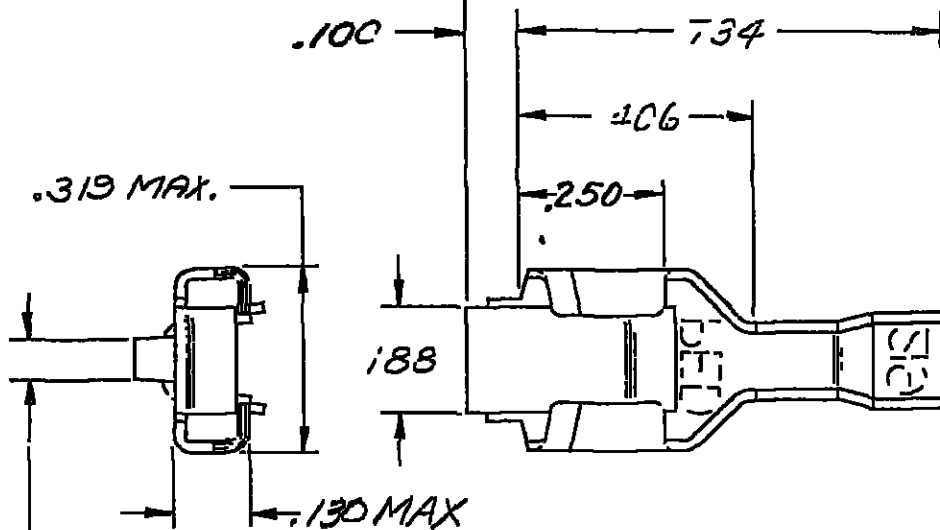
WARREN, OHIO

DO NOT SCALE

THIS DRAWING AND DESIGN HEREON CONSTITUTES A PROPRIETARY DESIGN OF PACKARD ELECTRIC DIVISION AND IS NOT TO BE DUPLICATED OR REPRODUCED WITHOUT AUTHORITY OF PACKARD ELECTRIC DIVISION

D

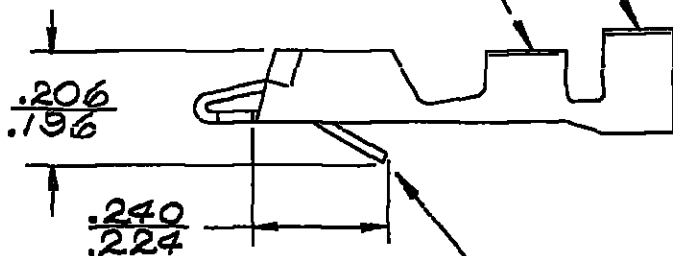
ASSEM DIMENSIONING POINT



C02D1647

INSULATION WINGS FOR 2.40 MM MAX. INSL'L. DIA.

CONDUCTOR WINGS FOR TWO 0.8-0.5 MM² CABLES



TANG FOR LOCKING TERMINAL IN CONNECTOR BODY

NOTE — TO FIT .032 x .250 BLADE.

-OUTLINE DRAWING-

PART NO

2977112

SIZE

A

DATE	BY	REVISION RECORD	C,N NO
6-7-60	∞	END VIEW & .127" DIM. ADDED	1726
3-8-62	∞	206/.196/.240/.224	757
1-16-63	∞	REVISED	10950
5-0-63	∞	COLOR IDENT REMOVED	12190
9-19-64	∞	"SHEET #1" ADDED	17608
10-67	∞	METHOD OF DIM. REV.	26897
		MAT'L. SPEC WAS	
		.018 BRASS	
3-3-69	∞	MAT'L THK SAE CA 260	36603
2-25-76	-	RED & CABLE ID NO	
		ADDED	58159
		CBL REVISED TO METRIC	70223
2-2-88	CD	PICTURE REVISED	119371
23/10/93	-	REVISED	157111

CODE NO 6900	TOLERANCE UNLESS OTHERWISE SPECIFIED
	DECIMAL ± 0.10
	FRACTIONAL ±
	ANGULAR ±

DWG DATE 5-14-60	SCALE NONE	DR R D Kearns
ROUTING		CK Peace 5-18
DEPT		APPR
OUTST		
REFERENCE 2962374-D		APPR R.E. Kirk 5-19
SHEET #1		

MATERIAL SPEC .0180 THK SAE CA 260 BRASS 1/2 HARD TIN PLATED	CODE NO
--	---------

NAME TERM F 56 SER STRGHT

PART NO	SIZE
2977112	A

AM-P