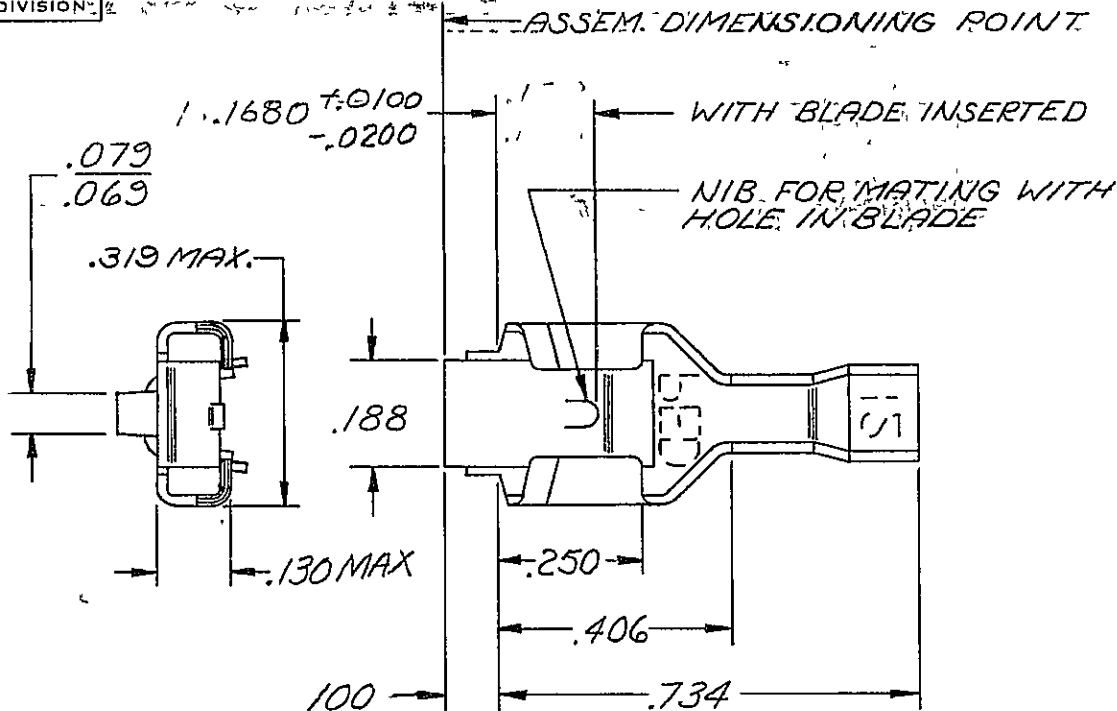


**PACKARD ELECTRIC DIVISION**  
 GENERAL MOTORS CORPORATION  
 WARREN, OHIO

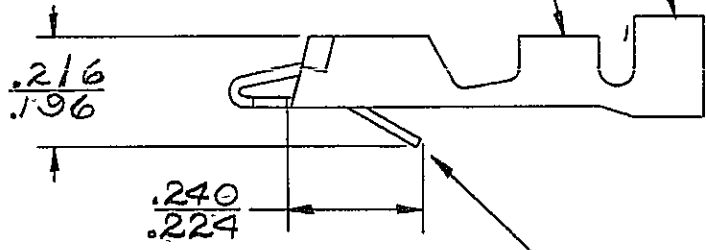
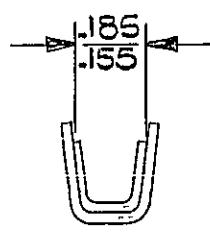
D

**DO NOT SCALE**  
 THIS DRAWING AND DESIGN HEREON CONSTITUTE A PROPRIETARY DESIGN OF PACKARD ELECTRIC DIVISION AND IS NOT TO BE DUPLICATED OR REPRODUCED WITHOUT AUTHORITY OF PACKARD ELECTRIC DIVISION



INSULATION WINGS FOR  
 3.65 MM. MAX. INSUL. DIA.

CONDUCTOR WINGS FOR  
 3.0 MM<sup>2</sup> CABLE



TANG FOR LOCKING TERMINAL  
 IN CONNECTOR BODY

C02D1468

NOTE — TO FIT .032 x .250 BLADE.

OUTLINE DRAWING

PART NO. **2962544** SIZE **A**

DATE	SYM	REVISION RECORD	C/N NO
3-25-76		REDRAWN PED	
		CABLE I.D. NO. ADDED	58769
17-5-79		CBL. REVISED TO METRIC	70223
24MR83		WAS SHOWN ON	
		2962874 SHT. #2	83007
08FE91	C	.216/.196 DIM. WAS .206/.196	
		ON TANG HGT.	139781
23AU93		REVISED	15711
23AU93		REVISED	157151

CODE NO. 6900

TOLERANCE UNLESS OTHERWISE SPECIFIED

DECIMAL  $\pm .010$

FRACTIONAL  $\pm$

ANGULAR  $\pm$

DWG DATE 1-11-55 SCALE NONE DR. PLYLER

ROUTING DEPT. OUTST. CK. *Revised 2-16-60* APPR.

REFERENCE 2962874-D SHEET #4 APPR. *EDWARDS-16* APPR. *R.C. Kirk 2-23*

MATERIAL SPEC. .018 THK SAE CA 210 BRASS CODE NO.

NAME TERMINAL-FEMALE-56 SERIES

PART NO. **2962544** SIZE **A**