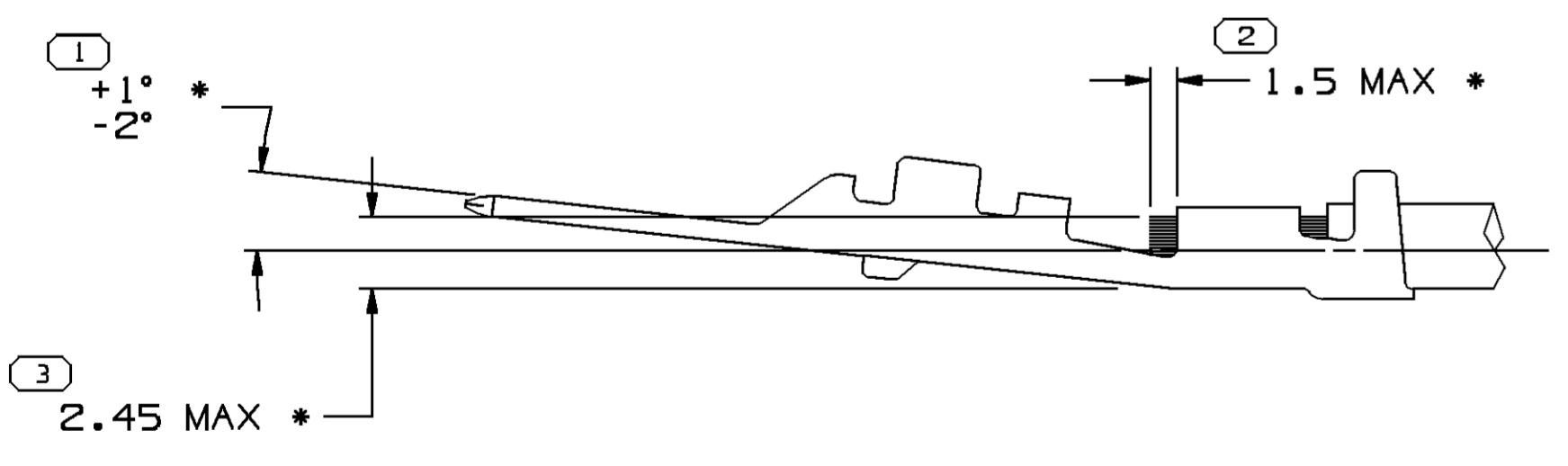
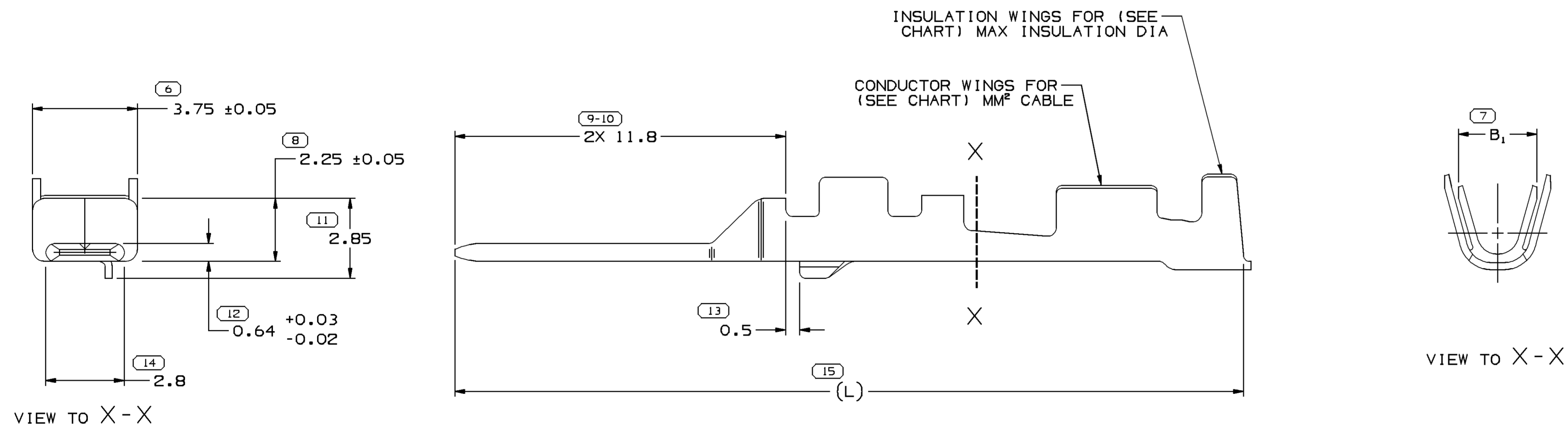
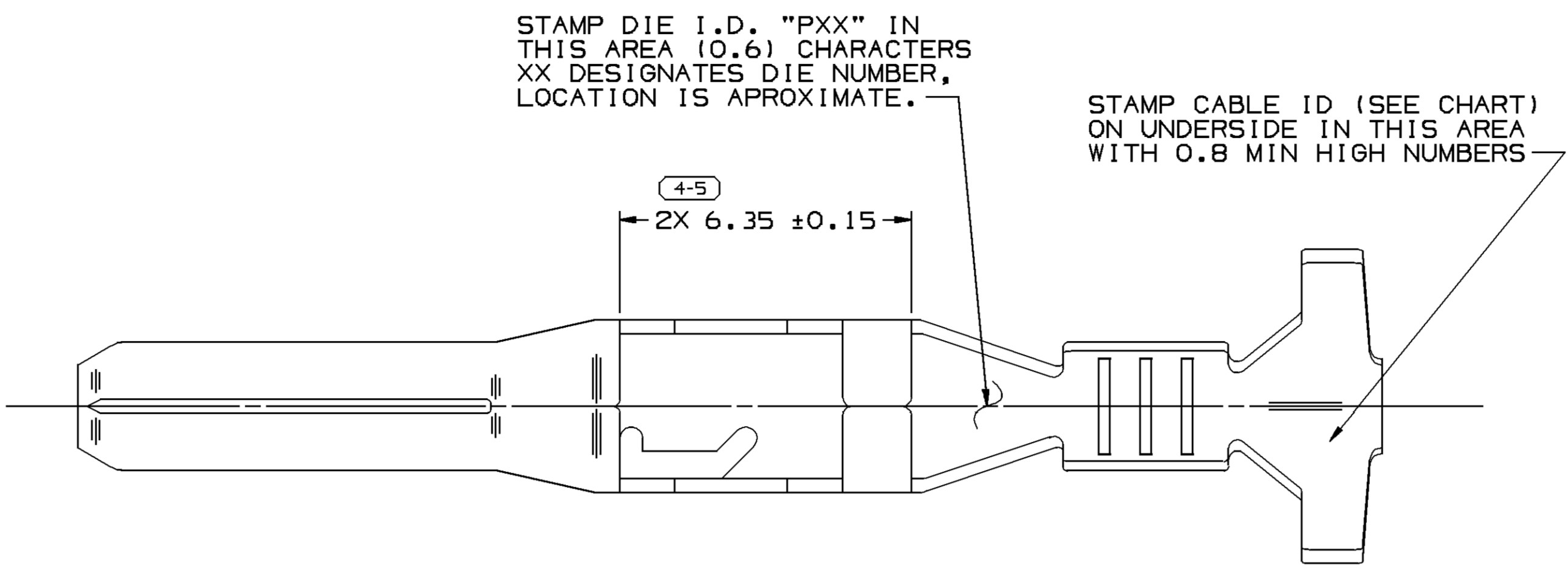


SYMBOL DEFINITION		MISSING NUMBERS	
A DIMENSION WITHOUT AN INSPECTION REPORT SYMBOL DOES NOT REQUIRE INSPECTION. IT MAY BE CONTROLLED ON AN INDIVIDUAL COMPONENT DRAWING.	TOTAL NO. OF SYMBOLS ON DRAWING	13	
	LAST NO. USED	15	

DWG STATUS				ZONE	REVISION HISTORY	AUTH	DR	APVD1	APVD2
DATE	STG	REV	N/P						
31MY02	R	04	-		ALL PARTS - CLEARED REV COLUMN & REVISED MAT'L SPECS: 15304722-25 - UPDATED PDM ATTRIBUTES	222820	HAM	HAM	DLB
30JL02	R	05	-		ALL PARTS - UPDATED PDM ATTRIBUTES	226419	MRF	JVM	TTP
24JA03	R	06	-		ADVANCED REVISION LEVEL	235918	LMB	LMB	TV
23JA04	R	07	-		ADVANCED REVISION LEVEL	251141	LMB	LMB	LN
040C04	R	08	-		ALL PARTS - ADDED STAMP DIE I.D.	259308	JPB	JVM	MKM
130C04	R	09	-		ADVANCED REVISION LEVEL	259807	GPS	AUG	MY
10MR06	R	10	-		12191137, 15304722-25 - UPDATED PDM ATTRIBUTES	276500	JTV	AUG	JS



TERMINAL AND CABLE ALIGNMENT
SCALE 5:1

- NOTES
- UNLESS OTHERWISE SPECIFIED AND/OR INDICATED: DIMENSIONS ARE TO FACE OF VIEW SHOWN AND AUTOMATICALLY ROUNDED BY COMPUTER FOR INSPECTION (SEE MATH MODEL FOR PRECISE DIMENSIONS). FOR ALL OTHER DIMENSIONS NOT SHOWN BUT REQUIRED FOR TOOL BUILD, SEE MATH MODEL FOR PRECISE TOOL PATH DATA.
 - REFERENCE MATING COMPONENTS OR EQUIVALENT: TERMINAL 15304710
 - * DENOTES DIMENSIONS MADE AT CUT-OFF AND CRIMP DIE

PART NO	REV	N/P	STATUS	MAT'L SIZE	MAT'L SPEC	SIZE (MM²)	I.D.	DIA	TYPE	B ₁ ±0.2	(L)
15336260	B4	-		0.3 X 36.12	M3659A24 425 TIN BRS EX HD SN REFLO	1.25-2.5	14	3-2.05	101	3.7	28.15
15317758	C4	-		0.3 X 36.12	M3659A24 425 TIN BRS EX HD SN REFLO	0.35-0.5	21	1.1-1.3	101	2.1	28.15
12191138	E4	-		0.3 X 36.12	M3659A24 425 TIN BRS EX HD SN REFLO	(2)-0.8	218	2.05-1.7	101	3.8	28.45
12191137	D5	-		0.3 X 36.12	M3659A24 425 TIN BRS EX HD SN REFLO	(2)-0.5	220	1.85-1.4	101	3.3	28.45
12191136	D4	-		0.3 X 36.12	M3659A24 425 TIN BRS EX HD SN REFLO	(2)-0.35	222	1.65-1.2	101	2.7	28.45
15304725	D7	-	RESTRICTED	0.3 X 36.12	M3659A24 425 TIN BRS EX HD SN REFLO	4-5	10	3.9-3.4	101	4.8	28.45
15304724	D9	-		0.3 X 36.12	M3659A24 425 TIN BRS EX HD SN REFLO	1.5-3	13	3.2-2.2	101	3.75	28.15
15304723	D9	-		0.3 X 36.12	M3659A24 425 TIN BRS EX HD SN REFLO	0.75-1	17	2.25-1.7	101	2.65	28.15
15304722	D9	-		0.3 X 36.12	M3659A24 425 TIN BRS EX HD SN REFLO	0.35-0.5	21	1.85-1.2	101	2.1	28.15

6 PROCESS SENSITIVE DIMENSION	
DIMENSIONS ENCLOSED IN () INDICATE REFERENCE DIMENSIONS AND NO TOLERANCE LIMITS ARE ESTABLISHED	
DIMENSIONAL RANGE (MM)	CHART D
FROM 0 TO 12	>12
TOLERANCE UNLESS OTHERWISE SPECIFIED	
±0.1	±0.2
ANGULAR TOLERANCE ±2°	

DWG TYPE		PART DRAWING	
STYLE			
VOLUME (Q/P)		DISTR CODE	
		D	
UNLESS OTHERWISE SPECIFIED			
THIS DOCUMENT IS IN ACCORDANCE WITH ASME Y14.5M-1994 AS AMENDED BY THE 9M GLOBAL DIMENSIONING AND TOLERANCING ADDENDUM - 1997. ALL GEOMETRIC TOLERANCES AND RELATED DATUMS APPLY RFS. RULE #1 (PERFECT FORM AT MMC) DOES NOT APPLY WHEN RELATIONSHIP BETWEEN FEATURES IS ESTABLISHED BY ORIENTATION OR LOCATION TOLERANCES. SEPARATE POSITION CALLOUTS MAY BE GAGED SEPARATELY, REGARDLESS OF DATUM REFERENCE. ALL DIMENSIONS ARE IN MILLIMETERS			
REFERENCE			
THIRD ANGLE PROJECTION	DO NOT SCALE	UNIGRAPHICS	
USE MATH DATA			

DELPHI
DELPHI PACKARD ELECTRIC SYSTEMS
WARREN, OH

DR	DATE
APVD1 N. VERGARA	06FE96
APVD2 T. STEELE	08JN96
APVD3 S. C. HSIEH	28JN96
APVD4	
APVD5	

SUBSTANCES OF CONCERN AND RECYCLED CONTENT PER DELPHI 10949001

MATERIAL SEE CHART

DRAWING NAME
TAXI TERM M GT 280 SN

DRAWING NUMBER
15304721

SIZE	SCALE	FRAME NO	SHEET NO	STG	REV	N/P
A1	10:1	1 OF 1	1 OF 1	R	10	-