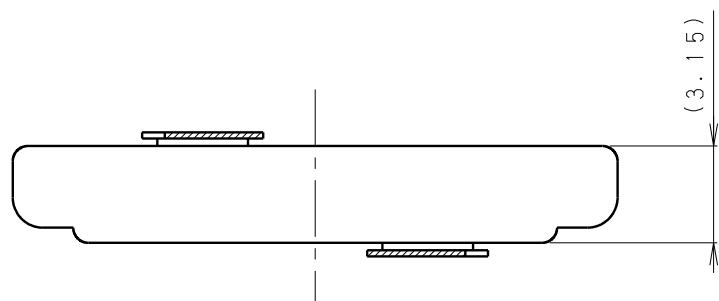
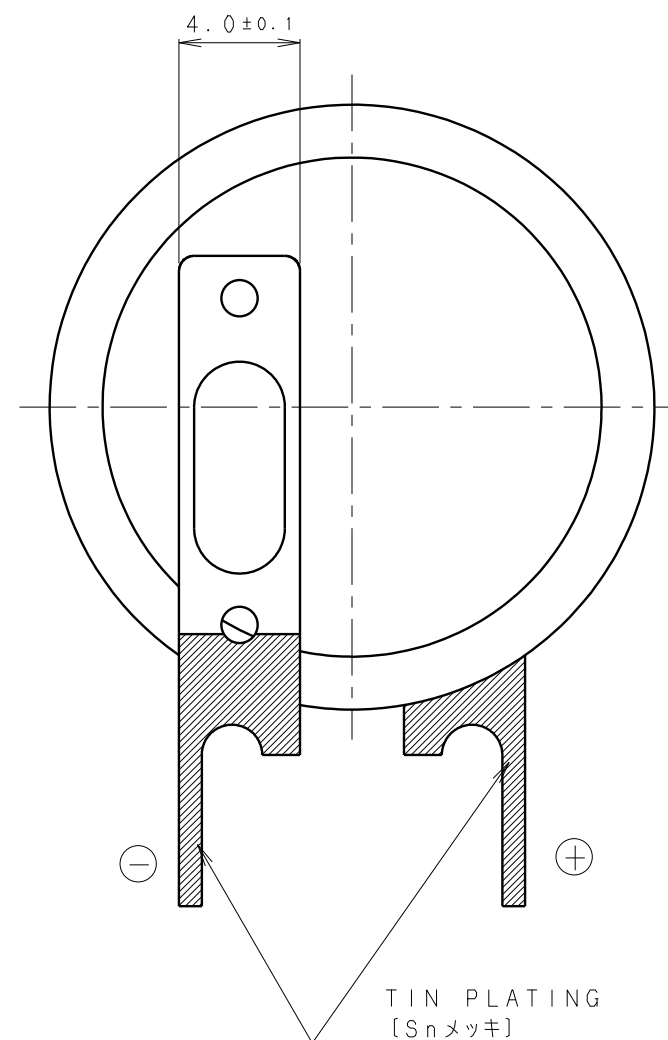
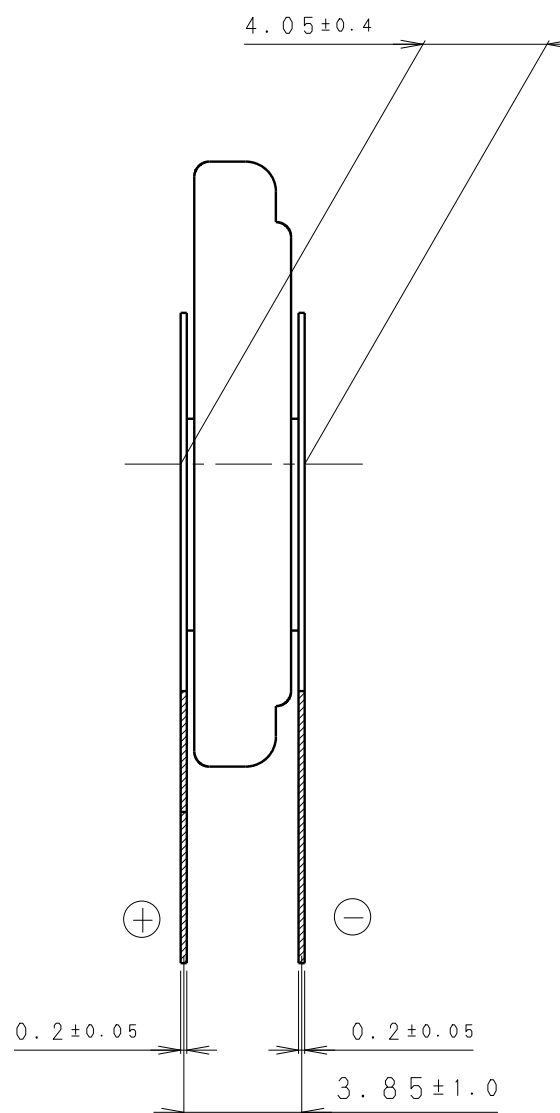
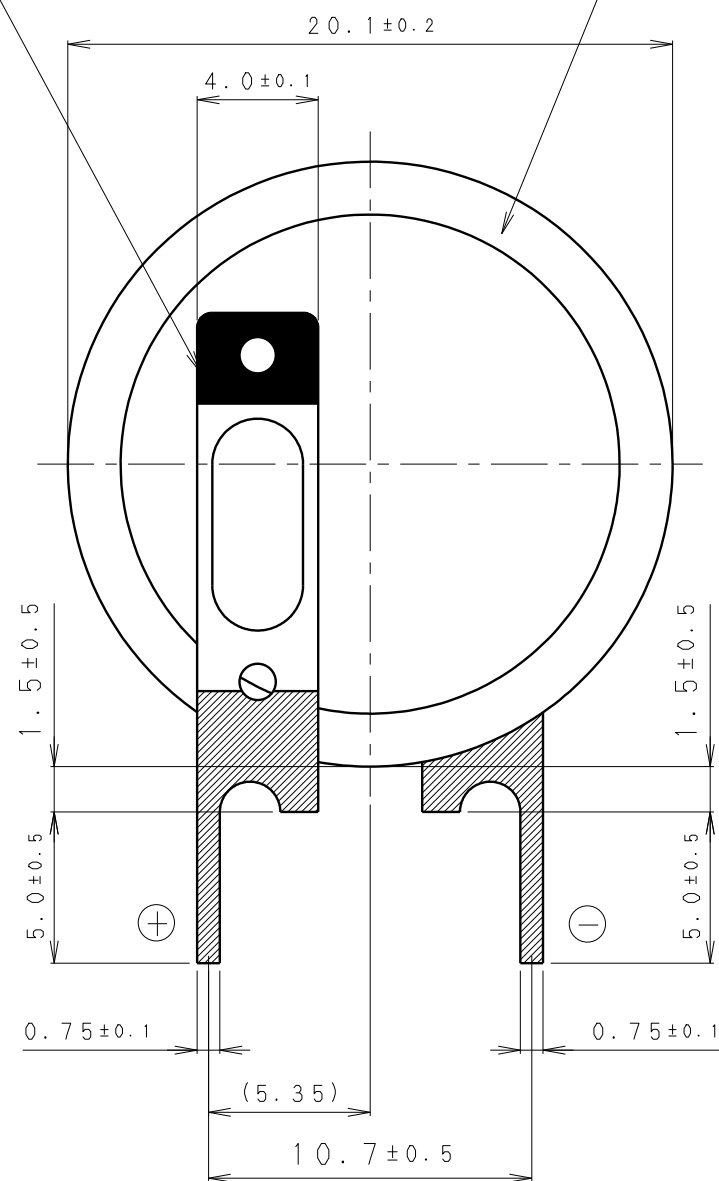


- * NOTE [注記]
1. TAB PULLING STRENGTH OVER 19.6N [端子溶接強度: 19.6N以上]
 2. TAB MATERIAL: STAINLESS STEEL WITH TIN PLATING [端子材料: 基材 ステンレス/表面 部分Snメッキ]
 3. (): REFERENCE DIMENSION AND ANGLE [() 寸法、角度は参考値]

PRODUCT NO.	CR-2032/VC1N	SCALE	
		4:1	
DRAWING NO.	PMVB1Z	REV.	UNIT:mm
		0	

"+" TERMINAL INDICATION (RED)
 [(+) 極性表示 (赤色)]

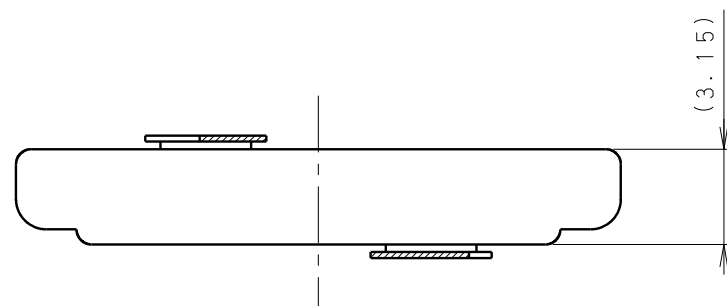
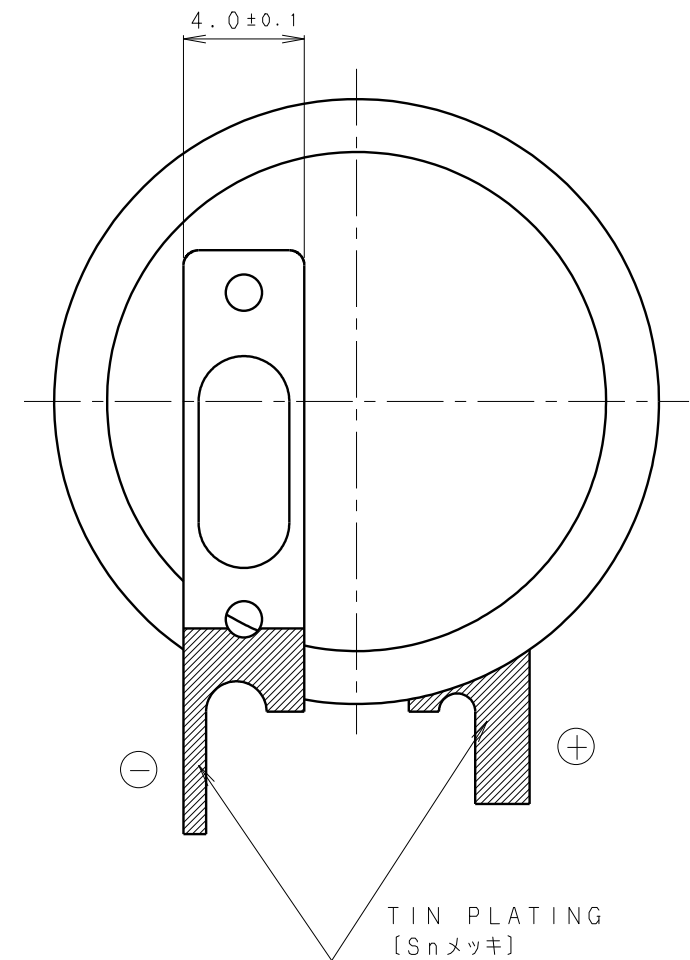
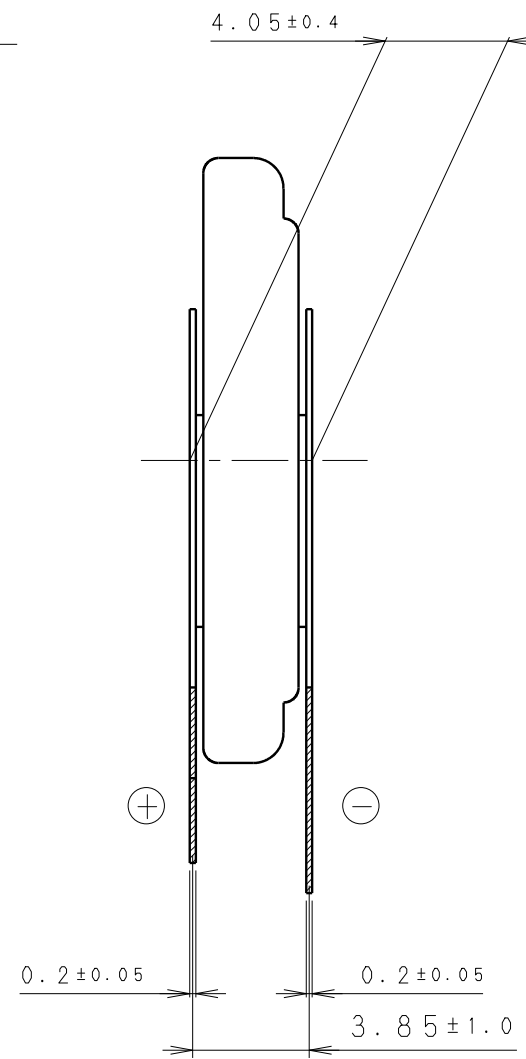
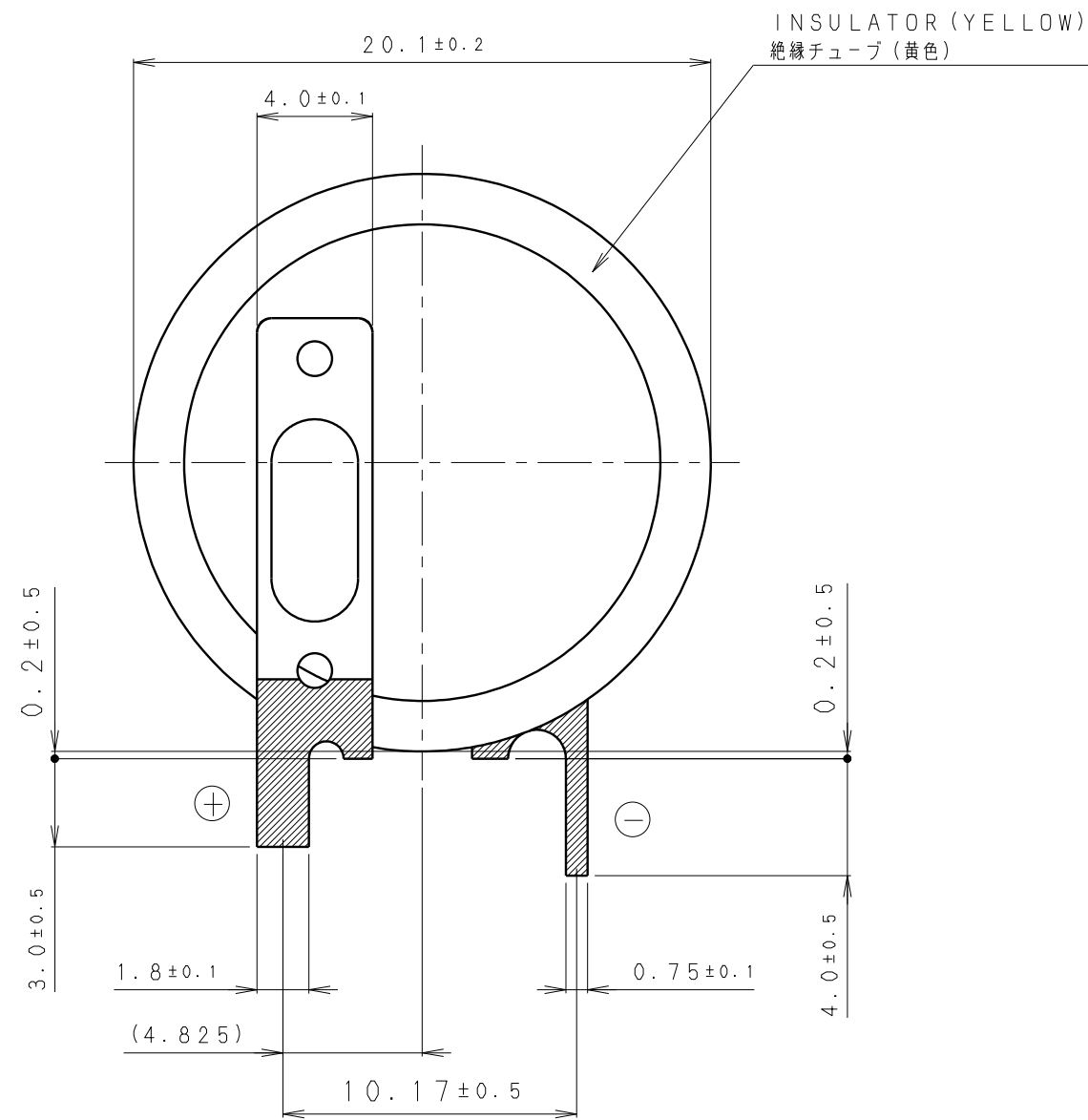
INSULATOR (YELLOW)
 [絶縁チューブ (黄色)]



* NOTE [注記]

- TAB PULLING STRENGTH OVER 19.6N [端子溶接強度: 19.6N以上]
- TAB MATERIAL: STAINLESS STEEL WITH TIN PLATING [端子材料: 基材 ステンレス/表面 部分Snメッキ]
- (): REFERENCE DIMENSION AND ANGLE [() 寸法、角度は参考値]

PRODUCT NO.	CR-2032/VCN	SCALE	4:1
DRAWING NO.	PMVA1Z	REV.	0
			UNIT:mm



* NOTE [注記]

- TAB PULLING STRENGTH OVER 19.6N [端子溶接強度: 19.6N以上]
- TAB MATERIAL: STAINLESS STEEL WITH TIN PLATING [端子材料: 基材 ステンレス/表面 部分Snメッキ]
- (): REFERENCE DIMENSION AND ANGLE [() 寸法、角度は参考値]

PRODUCT NO.	CR-2032/VS1N	SCALE	4:1
DRAWING NO.	PMVC1Z	REV.	0
			UNIT:mm