

Product Change Notification (PCN)

Date: October 2021
No.: T-09212

SSOP PhotoMOS® – Change of tube packaging

We would like to inform you about the change of SSOP PhotoMOS® tube packaging to tape and reel.


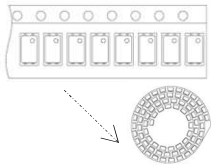
1. Affected part numbers

For following part numbers the packaging will change from tube to tape and reel:

Type	Package	Part Number / Product Number
PhotoMOS	SSOP	AQY221FN2V
		AQY221FR2V
		AQY221N2V
		AQY221N3V
		AQY221N5V
		AQY221R2V
		AQY221R4V
		AQY221R6V
		AQY222R2V
		AQY225R2V
		AQY225R3V
MOSFET driver	SSOP	APV2111V
		APV1111GV
		APV3111GV

2. Contents

To improve packaging quality, we will apply **tape and reel** packaging only.

	Before	After
Shape	<p>Tube</p> 	<p>Tape and Reel</p> 
Outer Carton	577 x 70 x 32 [mm]	103 x 104 x 35 [mm]

3. Available tape and reel packaging types (example AQY221N2V)

P/N	Quantity
AQY221N2V	150 pcs.
AQY221N2V1Y	1.000 pcs.
AQY221N2VY	3.500 pcs.

4. Schedule

From January, 2022 production onwards

5. Specification, quality, price and packaging unit remain unchanged.