

## Product Change Notice: PhotoMOS® DIP4, DIP6, DIP8, Photovoltaic MOSFET Drivers, Phototriac Couplers and AQ-H Series Solid State Relays

PCN.PG01.3.6.2021

S

3.6.2021

### About This Notice:

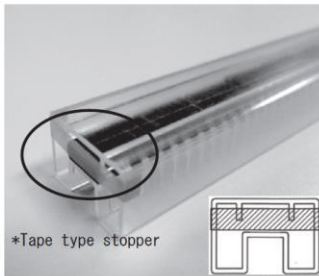
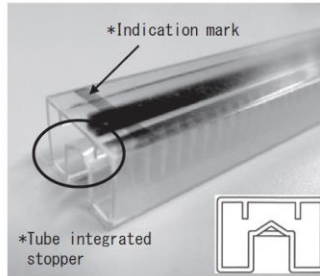
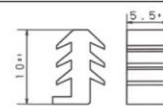
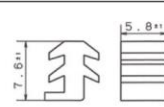
Panasonic will be changing the tube packing style for DIP4, DIP6 and DIP8 pin package PhotoMOS, Photovoltaic MOSFET Drivers, Phototriac Couplers and AQ-H Series Solid State Relays.

### Effective Date:

From July 2021 production onwards.

### Change Details:

Stopper on the fixed side has changed from tape type to integrated tube type. The addition of a marking is used to indicate the fixed side stopper direction (blue or orange color: depending on type). This alteration will change the stopper shape, tube length and package length to increase stopper strength.

	Before change	After change
Fixed side stopper Change of method  Addition of indication mark	 <p>*Tape type stopper</p>	 <p>*Indication mark</p> <p>*Tube integrated stopper</p>
Stopper Change of shape	 <p>1.0mm</p> <p>5.5mm</p>	 <p>7.6mm</p> <p>5.8mm</p>
Tube Change of length	508.5 mm	513.5 mm
Outer packaging Change of length (internal dimension)	510 mm	515 mm

• Fixed side stopper changed from tape type to integrated tube type.  
 • Addition of marking to indicate direction of fixed side stopper (blue and orange colors are available for different relay types).

### Affected Parts:

See Attached.

### Datasheet(s):

N/A

### Notes:

There are no specification, pricing, or changes to the existing part numbers.

## Panasonic PCN.PG01.3.6.2021 Affected Parts

Affected Series	Affected Part Numbers	Comments
APT PHOTOTRIAC COUPLER	APT1211	Tube change
APT PHOTOTRIAC COUPLER	APT1211A	Tube change
APT PHOTOTRIAC COUPLER	APT1211W	Tube change
APT PHOTOTRIAC COUPLER	APT1211WA	Tube change
APT PHOTOTRIAC COUPLER	APT1212	Tube change
APT PHOTOTRIAC COUPLER	APT1212A	Tube change
APT PHOTOTRIAC COUPLER	APT1212W	Tube change
APT PHOTOTRIAC COUPLER	APT1212WA	Tube change
APT PHOTOTRIAC COUPLER	APT1221	Tube change
APT PHOTOTRIAC COUPLER	APT1221A	Tube change
APT PHOTOTRIAC COUPLER	APT1221W	Tube change
APT PHOTOTRIAC COUPLER	APT1221WA	Tube change
APT PHOTOTRIAC COUPLER	APT1222	Tube change
APT PHOTOTRIAC COUPLER	APT1222A	Tube change
APT PHOTOTRIAC COUPLER	APT1222W	Tube change
APT PHOTOTRIAC COUPLER	APT1222WA	Tube change
APT PHOTOTRIAC COUPLER	APT1231	Tube change
APT PHOTOTRIAC COUPLER	APT1231A	Tube change
APT PHOTOTRIAC COUPLER	APT1231W	Tube change
APT PHOTOTRIAC COUPLER	APT1231WA	Tube change
APT PHOTOTRIAC COUPLER	APT1232	Tube change
APT PHOTOTRIAC COUPLER	APT1232A	Tube change
APT PHOTOTRIAC COUPLER	APT1232W	Tube change
APT PHOTOTRIAC COUPLER	APT1232WA	Tube change
Photovoltaic MOSFET Driver	APV1122	Tube change
Photovoltaic MOSFET Driver	APV1122A	Tube change
AQ-H Relay	AQH0213	Tube change
AQ-H Relay	AQH0213A	Tube change
AQ-H Relay	AQH0223	Tube change
AQ-H Relay	AQH0223A	Tube change
AQ-H Relay	AQH1213	Tube change
AQ-H Relay	AQH1213A	Tube change
AQ-H Relay	AQH1223	Tube change
AQ-H Relay	AQH1223A	Tube change
AQ-H Relay	AQH2213	Tube change
AQ-H Relay	AQH2213A	Tube change
AQ-H Relay	AQH2223	Tube change
AQ-H Relay	AQH2223A	Tube change
AQ-H Relay	AQH3213	Tube change
AQ-H Relay	AQH3213A	Tube change
AQ-H Relay	AQH3223	Tube change
AQ-H Relay	AQH3223A	Tube change
PhotoMOS HF 1 Form A	AQV101	Tube change
PhotoMOS HF 1 Form A	AQV101A	Tube change
PhotoMOS HF 1 Form A	AQV102	Tube change
PhotoMOS HF 1 Form A	AQV102A	Tube change
PhotoMOS HF 1 Form A	AQV103	Tube change
PhotoMOS HF 1 Form A	AQV103A	Tube change
PhotoMOS HF 1 Form A	AQV104	Tube change
PhotoMOS HF 1 Form A	AQV104A	Tube change
PhotoMOS GU 1 Form A Short Circuit P	AQV112KL	Tube change

PhotoMOS GU 1 Form A Short Circuit P	AQV112KLA	Tube change
PhotoMOS HF 1 Form A	AQV201	Tube change
PhotoMOS HF 1 Form A	AQV201A	Tube change
PhotoMOS HF 1 Form A	AQV202	Tube change
PhotoMOS HF 1 Form A	AQV202A	Tube change
PhotoMOS HF 1 Form A	AQV203	Tube change
PhotoMOS HF 1 Form A	AQV203A	Tube change
PhotoMOS HF 1 Form A	AQV204	Tube change
PhotoMOS HF 1 Form A	AQV204A	Tube change
PhotoMOS GU 1 Form A	AQV210	Tube change
PhotoMOS GU 1 Form A	AQV210A	Tube change
PhotoMOS GU 1 Form A	AQV210EH	Tube change
PhotoMOS GU 1 Form A	AQV210EHA	Tube change
PhotoMOS GU 1 Form A	AQV212	Tube change
PhotoMOS GU 1 Form A	AQV212A	Tube change
PhotoMOS GU 1 Form A	AQV214	Tube change
PhotoMOS GU 1 Form A	AQV214A	Tube change
PhotoMOS GU 1 Form A	AQV214EH	Tube change
PhotoMOS GU 1 Form A	AQV214EHA	Tube change
PhotoMOS GU 1 Form A	AQV214H	Tube change
PhotoMOS GU 1 Form A	AQV214HA	Tube change
PhotoMOS GU 1 Form A	AQV215	Tube change
PhotoMOS GU 1 Form A	AQV215A	Tube change
PhotoMOS GU 1 Form A	AQV216	Tube change
PhotoMOS GU 1 Form A	AQV216A	Tube change
PhotoMOS GU 1 Form A	AQV217	Tube change
PhotoMOS GU 1 Form A	AQV217A	Tube change
PhotoMOS RF 1 Form A Low on-resista	AQV224N	Tube change
PhotoMOS RF 1 Form A Low on-resista	AQV224NA	Tube change
PhotoMOS RF 1 Form A Low on-resista	AQV227N	Tube change
PhotoMOS RF 1 Form A Low on-resista	AQV227NA	Tube change
PhotoMOS HS 1 Form A	AQV234	Tube change
PhotoMOS HS 1 Form A	AQV234A	Tube change
PhotoMOS HE 1 Form A	AQV251	Tube change
PhotoMOS HE 1 Form A	AQV251A	Tube change
PhotoMOS HE 1 Form A	AQV251G	Tube change
PhotoMOS HE 1 Form A	AQV251GA	Tube change
PhotoMOS HE 1 Form A	AQV252	Tube change
PhotoMOS HE 1 Form A	AQV252A	Tube change
PhotoMOS HE 1 Form A High Capacity	AQV252G	Tube change
PhotoMOS HE 1 Form A High Capacity	AQV252G3	Tube change
PhotoMOS HE 1 Form A High Capacity	AQV252G3A	Tube change
PhotoMOS HE 1 Form A High Capacity	AQV252GA	Tube change
PhotoMOS HE 1 Form A	AQV253	Tube change
PhotoMOS HE 1 Form A	AQV253A	Tube change
PhotoMOS HE 1 Form A	AQV253H	Tube change
PhotoMOS HE 1 Form A	AQV253HA	Tube change
PhotoMOS HE 1 Form A	AQV254	Tube change
PhotoMOS HE 1 Form A	AQV254A	Tube change
PhotoMOS HE 1 Form A	AQV254H	Tube change
PhotoMOS HE 1 Form A	AQV254HA	Tube change
PhotoMOS HE 1 Form A	AQV255	Tube change
PhotoMOS HE 1 Form A	AQV255A	Tube change
PhotoMOS HE 1 Form A	AQV255G3	Tube change
PhotoMOS HE 1 Form A	AQV255G3A	Tube change

PhotoMOS HE 1 Form A	AQV256H	Tube change
PhotoMOS HE 1 Form A	AQV256HA	Tube change
PhotoMOS HE 1 Form A	AQV257	Tube change
PhotoMOS HE 1 Form A	AQV257A	Tube change
PhotoMOS HE 1 Form A	AQV258	Tube change
PhotoMOS HE 1 Form A	AQV258A	Tube change
PhotoMOS HE 1 Form A	AQV258H5	Tube change
PhotoMOS HE 1 Form A	AQV258H5A	Tube change
PhotoMOS HE 1 Form A	AQV259	Tube change
PhotoMOS HE 1 Form A	AQV259A	Tube change
PhotoMOS GE 1 Form B	AQV410EH	Tube change
PhotoMOS GE 1 Form B	AQV410EHA	Tube change
PhotoMOS GE 1 Form B	AQV412EH	Tube change
PhotoMOS GE 1 Form B	AQV412EHA	Tube change
PhotoMOS GU 1 Form B	AQV414	Tube change
PhotoMOS GU 1 Form B	AQV414A	Tube change
PhotoMOS GU 1 Form B	AQV414EH	Tube change
PhotoMOS GU 1 Form B	AQV414EHA	Tube change
PhotoMOS HE 1 Form B	AQV453	Tube change
PhotoMOS HE 1 Form B	AQV453A	Tube change
PhotoMOS HE 1 Form B	AQV454	Tube change
PhotoMOS HE 1 Form B	AQV454A	Tube change
PhotoMOS HE 1 Form B	AQV454H	Tube change
PhotoMOS HE 1 Form B	AQV454HA	Tube change
PhotoMOS GU 2 Form A	AQW210	Tube change
PhotoMOS GU 2 Form A	AQW210A	Tube change
PhotoMOS GU 2 Form A	AQW210EH	Tube change
PhotoMOS GU 2 Form A	AQW210EHA	Tube change
PhotoMOS GU 2 Form A	AQW210HL	Tube change
PhotoMOS GU 2 Form A	AQW210HLA	Tube change
PhotoMOS GU 2 Form A	AQW212	Tube change
PhotoMOS GU 2 Form A	AQW212A	Tube change
PhotoMOS GU 2 Form A	AQW212EH	Tube change
PhotoMOS GU 2 Form A	AQW212EHA	Tube change
PhotoMOS GU 2 Form A	AQW214	Tube change
PhotoMOS GU 2 Form A	AQW214A	Tube change
PhotoMOS GU 2 Form A	AQW214EH	Tube change
PhotoMOS GU 2 Form A	AQW214EHA	Tube change
PhotoMOS GU 2 Form A	AQW215	Tube change
PhotoMOS GU 2 Form A	AQW215A	Tube change
PhotoMOS GU 2 Form A	AQW216	Tube change
PhotoMOS GU 2 Form A	AQW216A	Tube change
PhotoMOS GE 2 Form A	AQW216EH	Tube change
PhotoMOS GE 2 Form A	AQW216EHA	Tube change
PhotoMOS GE 2 Form A	AQW217	Tube change
PhotoMOS GE 2 Form A	AQW217A	Tube change
PhotoMOS RF 2 Form A Low on-resista	AQW224N	Tube change
PhotoMOS RF 2 Form A Low on-resista	AQW224NA	Tube change
PhotoMOS RF 2 Form A Low on-resista	AQW227N	Tube change
PhotoMOS RF 2 Form A Low on-resista	AQW227NA	Tube change
PhotoMOS HE 2 Form A	AQW254	Tube change
PhotoMOS HE 2 Form A	AQW254A	Tube change
PhotoMOS GU 2 Form B	AQW414	Tube change
PhotoMOS GU 2 Form B	AQW414A	Tube change
PhotoMOS GE 2 Form B	AQW414EH	Tube change

PhotoMOS GE 2 Form B	AQW414EHA	Tube change
PhotoMOS GE 2 Form B	AQW454	Tube change
PhotoMOS GE 2 Form B	AQW454A	Tube change
PhotoMOS GE 1 Form A & 1 Form B	AQW610EH	Tube change
PhotoMOS GE 1 Form A & 1 Form B	AQW610EHA	Tube change
PhotoMOS GE 1 Form A & 1 Form B	AQW612EH	Tube change
PhotoMOS GE 1 Form A & 1 Form B	AQW612EHA	Tube change
PhotoMOS GE 1 Form A & 1 Form B	AQW614	Tube change
PhotoMOS GE 1 Form A & 1 Form B	AQW614A	Tube change
PhotoMOS GE 1 Form A & 1 Form B	AQW614EH	Tube change
PhotoMOS GE 1 Form A & 1 Form B	AQW614EHA	Tube change
PhotoMOS HE 1 Form A & 1 Form B	AQW654	Tube change
PhotoMOS HE 1 Form A & 1 Form B	AQW654A	Tube change
PhotoMOS GE 1 Form A	AQY210EH	Tube change
PhotoMOS GE 1 Form A	AQY210EHA	Tube change
PhotoMOS GE 1 Form A	AQY210HL	Tube change
PhotoMOS GE 1 Form A	AQY210HLA	Tube change
PhotoMOS GE 1 Form A	AQY211EH	Tube change
PhotoMOS GE 1 Form A	AQY211EHA	Tube change
PhotoMOS GE 1 Form A	AQY212EH	Tube change
PhotoMOS GE 1 Form A	AQY212EHA	Tube change
PhotoMOS GE 1 Form A	AQY212GH	Tube change
PhotoMOS GE 1 Form A	AQY212GHA	Tube change
PhotoMOS GE 1 Form A	AQY214EH	Tube change
PhotoMOS GE 1 Form A	AQY214EHA	Tube change
PhotoMOS GE 1 Form A	AQY216EH	Tube change
PhotoMOS GE 1 Form A	AQY216EHA	Tube change
PhotoMOS GE 1 Form B	AQY410EH	Tube change
PhotoMOS GE 1 Form B	AQY410EHA	Tube change
PhotoMOS GE 1 Form B	AQY412EH	Tube change
PhotoMOS GE 1 Form B	AQY412EHA	Tube change
PhotoMOS GE 1 Form B	AQY414EH	Tube change
PhotoMOS GE 1 Form B	AQY414EHA	Tube change