

OL183N40-00

18-Channel Level Shifter

The OL183N40-00 is an 18-channel level translator designed for high voltage level shifting applications such as displays. The 18 channels are divided into twelve and two three channel groups, with each group controlled by the inverting inputs SEL1, SEL2 and, SEL3; respectively. The EN input is used to select the 'ON' or power saving shutdown modes

Each channel consists of a high voltage output buffer. The output buffers use N-channel low side and P-channel high side transistors. The output signal on pins OUT1 to OUT18 is pulled by the transistors to the positive high or negative low voltage on the V_{HX} and V_{LX} power supply pins, respectively, depending on the voltage of the inverting pins.

Features

- 18 Non-Inverting / Inverting Channels
- V_{H1} , V_{H2} Supply Range: 5 V to 25 V
- V_{L1} , V_{L2} Supply Range: -13 V to 0 V
- V_{HX} - V_{LX} Difference Range: 5 V to 25 V
- V_{L1} and V_{L2} can be tied together or connected to independent supply voltages as long as $V_{L1} \leq V_{L2}$
- V_D Supply Range: 2 V to 5.5 V
- Outputs specified with 1000 pF capacitive loads
- Disable Function
- Low Standby Current
- No Glitch on Power-Up
- Available in: 5 mm x 10 mm, 0.5 mm pitch, QFN50 Package

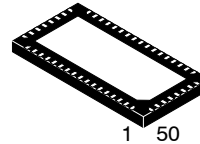
Typical Applications

- OLED Drivers
- High Voltage Level Shifters
- Piezoelectric Motor Drivers



ON Semiconductor®

<http://onsemi.com>



QFN50
CASE 485BW

MARKING DIAGRAM

OL183N40-00
XXXXXXXX
YYWWXXX

XXXXXXXX = Production Lot Number
YY = Year
WW = Work Week
XXX = Revision Number

ORDERING INFORMATION

See detailed ordering and shipping information in the package dimensions section on page 10 of this data sheet.

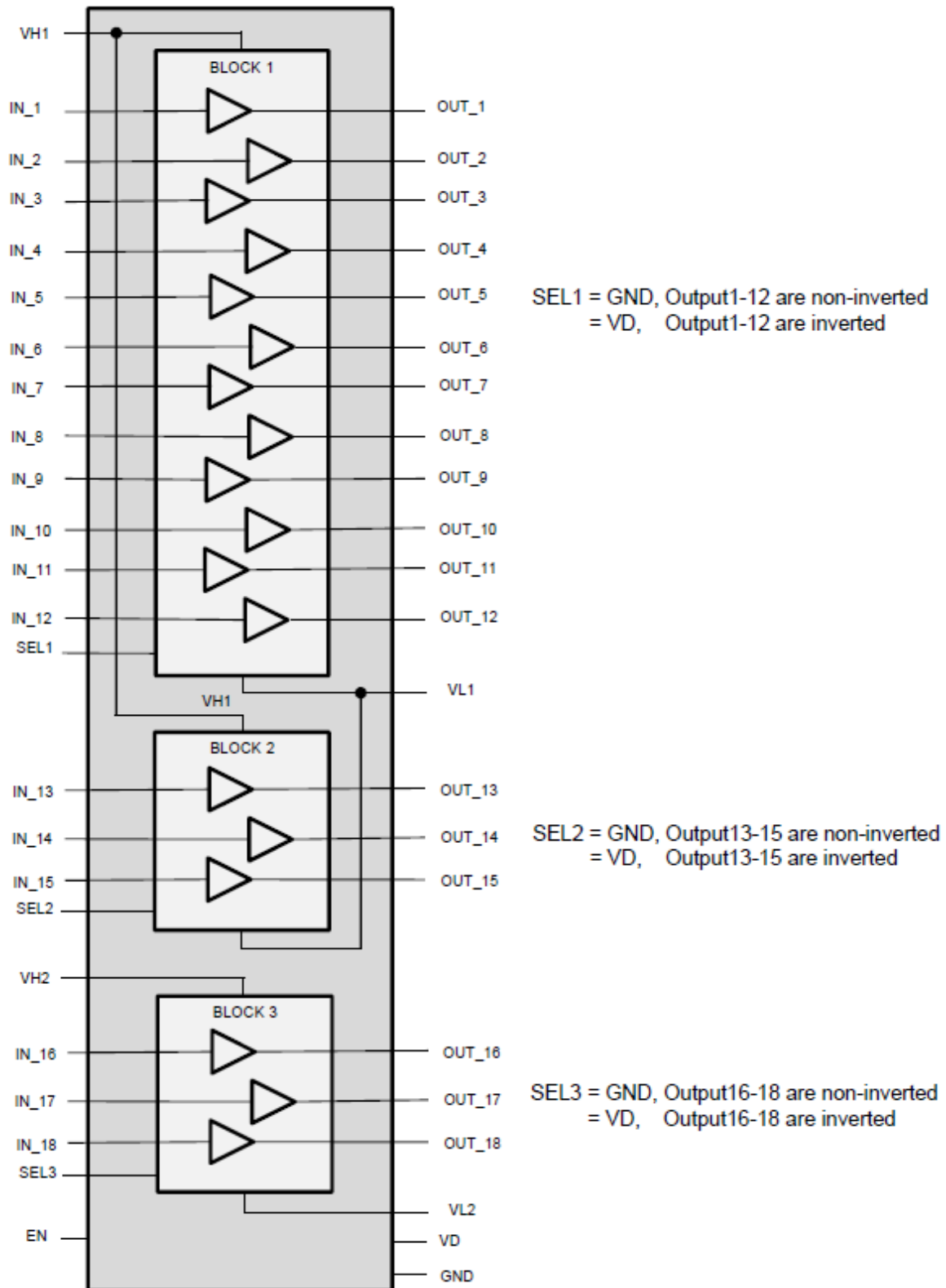


Figure 1. Simplified Schematic - Option I ($V_{L1} \leq V_{L2}$)

OL183N40-00

FUNCTION TABLE (X Input = 'Don't Care, Hi-Z = High Impedance Tri-State Output)

Input				Output		
EN	SEL1	SEL2	SEL3	Block 1 (OUT1-OUT12)	Block 2 (OUT13 - OUT15)	Block 3 (OUT16 - OUT18)
GND	X	X	X	Hi-Z	Hi-Z	Hi-Z
V _D	GND	GND	GND	Normal	Normal	Normal
V _D	GND	GND	V _D	Normal	Normal	Inverted
V _D	GND	V _D	GND	Normal	Inverted	Normal
V _D	GND	V _D	V _D	Normal	Inverted	Inverted
V _D	V _D	GND	GND	Inverted	Normal	Normal
V _D	V _D	GND	V _D	Inverted	Normal	Inverted
V _D	V _D	V _D	GND	Inverted	Inverted	Normal
V _D	V _D	V _D	V _D	Inverted	Inverted	Inverted

OL183N40-00

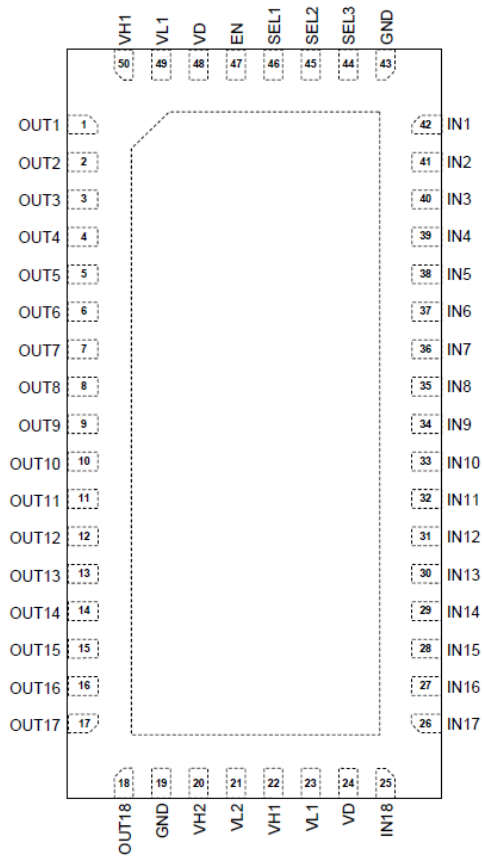


Figure 2. Pin Assignments
(Top View)

PIN ASSIGNMENTS

Pin Name	Pin Number	Pin Name	Pin Number	Pin Name	Pin Number
OUT1	1	OUT18	18	IN8	35
OUT2	2	GND	19	IN7	36
OUT3	3	VH2	20	IN6	37
OUT4	4	VL2	21	IN5	38
OUT5	5	VH1	22	IN4	39
OUT6	6	VL1	23	IN3	40
OUT7	7	VD	24	IN2	41
OUT8	8	IN18	25	IN1	42
OUT9	9	IN17	26	GND	43
OUT10	10	IN16	27	SEL3	44
OUT11	11	IN15	28	SEL2	45
OUT12	12	IN14	29	SEL1	46
OUT13	13	IN13	30	EN	47
OUT14	14	IN12	31	VD	48
OUT15	15	IN11	32	VL1	49
OUT16	16	IN10	33	VH1	50
OUT17	17	IN9	34	No Connect	Center Tap

ABSOLUTE MAXIMUM RATINGS

Symbol	Parameter	Condition	Value	Unit
V _{Hx}	High-side DC Supply Voltage		-0.5 to +30	V
V _{Lx}	Low-side DC Supply Voltage		-15 to +0.5	V
V _{Hx} - V _{Lx}	Differential V _H - V _L Voltage		0 to +30	V
V _D	Logic Supply Voltage		-0.5 to +5.5	V
V _I	Input (IN1 - IN18), Invert (SEL1 - SEL3) and Enable (EN) Control Pins		-0.5 to V _D + 0.5	V
V _{OUT}	Output Voltage Pins (OUT1 - OUT18)		V _{Lx} - 0.5 to V _{Hx} + 0.5	V
I _{OUT}	Continuous Output Current (OUT1 - OUT18)	One channel is sinking or sourcing current while the remaining seventeen channels are disconnected (I _{OUT} = 0 A)	100	mA
I _{Hx}	DC Supply Current Through V _{Hx}		100	mA
I _{Lx}	DC Supply Current Through V _{Lx}		100	mA
I _D	DC Supply Current Through V _D		50	mA
P _D	Power Dissipation		TBD	W
T _J	Junction Temperature		+150	°C
T _{STG}	Storage Temperature		-65 to +150	°C
V _{ESD}	ESD Withstand Voltage Human Body Model Machine Model Charged Device Model	Tested to EIA / JESD22-A114-A Tested to EIA / JESD22-A115-A Tested to JESD22-C101-A	2000 200 800	V

Stresses exceeding Maximum Ratings may damage the device. Maximum Ratings are stress ratings only. Functional operation above the Recommended Operating Conditions is not implied. Extended exposure to stresses above the Recommended Operating Conditions may affect device reliability.

RECOMMENDED OPERATING CONDITIONS

Symbol	Parameter	Min	Max	Unit
V _{H1}	High-side DC Supply Voltage	5	25	V
V _{H2}	High-side DC Supply Voltage (Note 1)	5	25	V
V _{L1}	Low-side Negative DC Supply Voltage (Note 2) (V _{L1} ≤ V _{L2})	-13	0	V
V _{L2}	Low-side Negative DC Supply Voltage (Note 3)	V _{L1}	0	V
V _{Hx} - V _{Lx}	Differential V _H - V _L Voltage	5	25	V
V _D	Logic Supply Voltage	2	5.5	V
V _I	Input (IN1 - IN18), Invert (SEL1 - SEL3) and Enable (EN)	GND	V _D	V
V _{OUT}	Output Voltage (OUT1 - OUT18)	V _{Lx}	V _{Hx}	V
T _A	Operating Temperature Range	-40	+85	°C
Δt/ΔV	Input Transition Rise or Rate V _I , V _{IO} from 30% to 70% of V _D ; V _D = 3.3 ± 0.3 V	0	10	nS

1. V_{H1} and V_{H2} can be connected together.
2. V_{L1} must be at the lowest DC supply voltage.
3. V_{L1} and V_{L2} can be connected together.

OL183N40-00

ELECTRICAL CHARACTERISTICS ($V_{Hx} = 15\text{ V}$, $V_{Lx} = -5\text{ V}$, $V_D = 2\text{ to }5.5\text{ V}$ and $EN = V_D$; unless otherwise specified.)

Symbol	Parameter	Parameter	Test Conditions	-40°C to +85°C			Unit
				Min	Typ	Max	

POWER SUPPLY

I_D	Digital Supply Static Current	Enabled ($EN = V_D$)	IN1 to IN18 = 0 V or IN1 to IN18 = V_D		2		mA
		Disabled ($EN = 0\text{ V}$), (Power Down)			5	10	μA
I_{H1}	Block 1 and 2 High Voltage Supply Static Current	Enabled ($EN = V_D$)	IN1 to IN18 = 0 V or IN1 to IN18 = V_D		2		mA
		Disabled ($EN = 0\text{ V}$), (Power Down)			5		μA
I_{H2}	Block 3 High Voltage Supply Static Current	Enabled ($EN = V_D$)	IN1 to IN18 = 0 V or IN1 to IN18 = V_D		2		mA
		Disabled ($EN = 0\text{ V}$), (Power Down)			5		μA
I_{L1}	Block 1 and 2 Low Voltage Supply Static Current	Enabled ($EN = V_D$)	IN1 to IN18 = 0 V or IN1 to IN18 = V_D		2		mA
		Disabled ($EN = 0\text{ V}$), (Power Down)			5		μA
I_{L2}	Block 3 Low Voltage Supply Static Current	Enabled ($EN = V_D$)	IN1 to IN18 = 0 V or IN1 to IN18 = V_D		2		mA
		Disabled ($EN = 0\text{ V}$), (Power Down)			5		μA
V_{H1}	High-Side DC Supply 1			5	15	25	V
V_{H2}	High-Side DC Supply 2			5	17	25	V
V_{L1}	Low-Side DC Supply 1		$V_{L1} \leq V_{L2}$ V_{L1} must be the lowest voltage in all conditions	-13	-5	0	V
V_{L2}	Low-Side DC Supply 2			V_{L1}	-5	0	V
$V_{Hx} - V_L$	Differential $V_{Hx} - V_L$ Voltage			5		25	V

INPUT (IN1 – IN18, EN, SEL1 – SEL3)

V_{IH}	Logic '1' Input Voltage			$0.7 \times V_D$			V
V_{IL}	Logic '0' Input Voltage					$0.3 \times V_D$	V
I_{IH}	Logic '1' Input Current		$V_I = V_{IH}$		0.1	10	μA
I_{IL}	Logic '0' Input Current		$V_I = V_{IL}$		0.1	10	μA
C_{IN}	Input Capacitance		$T_A = 25^\circ\text{C}$		3.5		pF
R_{IN}	Input Resistance		$T_A = 25^\circ\text{C}$		50		$\text{M}\Omega$

OUTPUT (OUT1 – OUT18)

V_{OH}	V_{OUT} High Voltage		$INx = 3.3\text{ V}$, $I_L = 20\text{ mA}$	$V_{Hx} - 0.2$			V
V_{OL}	V_{OUT} Low Voltage		$INx = 0\text{ V}$, $I_L = 20\text{ mA}$			$V_{Lx} + 0.12$	V
R_{OH}	ON Resistance, V_H to $OUTx$		$I_L = 20\text{ mA}$		5	8.5	Ω
R_{OL}	ON Resistance, V_L to $OUTx$		$I_L = 20\text{ mA}$		5	7.5	Ω
I_{PEAK}	Peak Output Current		$C_L = 1000\text{ pF}$		1100		mA
I_{OZ}	Output Tri-state Mode Leakage Current		$INx = 3.3\text{ V}$, $V_D = 3.3\text{ V}$, $EN = \text{GND}$			5	μA

OL183N40-00

SWITCHING CHARACTERISTICS

($C_L = 1000$ pF, $V_{Hx} = 15$ V, $V_{Lx} = -5$ V, $V_D = 3.3$ V and $EN = 3.3$ V; unless otherwise specified. Test setup shown in Figure 3.)

Symbol	Parameter	Test Conditions	-40°C to +85°C			Unit
			Min	Typ	Max	
t_R	Output Rise Time	Measured from 10% to 90%		20	35	ns
t_F	Output Fall Time	Measured from 90% to 10%		20	35	ns
t_{RFD}	Output Rise and Fall Time Mismatch (per channel)			5		ns
t_{SK}	Output Skew Matching (channel-to-channel)	Measured from 50% to 50%		5		ns
t_{D+}	Turn-On Propagation Delay	Measured from 50% to 50%		55		ns
t_{D-}	Turn-Off Propagation Delay	Measured from 50% to 50%		55		ns
t_{DD}	High-to-Low/Low-to-High Propagation Delay Mismatch (per channel)	Measured from 50% to 50%		5		ns
SC#MAX	Maximum channels switched in 100 ns sequence	Delta between inputs of channels must be 100 ns if channels are switched in sequence			6	
Con_OUT	Outputs connected together to increase drive capability				3	
f_{MAX}	Maximum switching Frequency	For all V_{Hx} and V_{Lx} voltages			100	kHz
t_{EN}	Enable Time	Measured from 50% EN to 50% OUT_xx	9.8		15	μs
t_{DIS}	Disable Time	Measured from 50% EN to 50% OUT_xx_Hi-Z		2.2		μs

SWITCHING CHARACTERISTICS WITH 5 Ω SERIES RESISTORS

($C_L = 1000$ pF, $V_{Hx} = 15$ V, $V_{Lx} = -5$ V, $V_D = 3.3$ V and $EN = 3.3$ V, $C_H = C_L = 10$ μF, $R_O = 0$ Ω and $R_H = R_L = 5$ Ω; unless otherwise specified. Test setup shown in Figure 4.)

Symbol	Parameter	Test Conditions	-40°C to +85°C			Unit
			Min	Typ	Max	
t_R	Output Rise Time	Measured from 10% to 90%		20		ns
t_F	Output Fall Time	Measured from 90% to 10%		20		ns
t_{RFD}	Output Rise and Fall Time Mismatch (per channel)			5		ns
t_{SK}	Output Skew Matching (channel-to-channel)	Measured from 50% to 50%		5		ns
t_{D+}	Turn-On Propagation Delay	Measured from 50% to 50%		75		ns
t_{D-}	Turn-Off Propagation Delay	Measured from 50% to 50%		85		ns
t_{DD}	High-to-Low/Low-to-High Propagation Delay Mismatch (per channel)	Measured from 50% to 50%		10		ns
f_{MAX}	Maximum switching Frequency	For all V_{Hx} and V_{Lx} voltages			100	kHz
t_{EN}	Enable Time	Measured from 50% EN to 50% OUT_xx	9.8		15	μs
t_{DIS}	Disable Time	Measured from 50% EN to 50% OUT_xx_Hi-Z		2.2		μs
V_{OH}	V_{OUT} High Voltage	$INx = 3.3$ V, $I_L = 20$ mA		$V_{Hx} - 0.3$		V
V_{OL}	V_{OUT} Low Voltage	$INx = 0$ V, $I_L = 20$ mA		$V_{Lx} + 0.25$		V

OL183N40-00

DATA RATES ($C_L = 1000 \text{ pF}$, $V_{Hx} = 15 \text{ V}$, $V_{Lx} = -5 \text{ V}$, $V_D = 3.3 \text{ V}$ and $EN = 3.3 \text{ V}$; unless otherwise specified)

Channel	Conditions	Data Rate	Unit
IN1 – IN6 (Note 4)	Simultaneous Switching (Turn ON and OFF in sequence, 100 ns between channels)	120	Hz
	Per Channel	56	kHz
IN7 – IN12 (Note 4)	Per Channel	120	Hz
IN13 – IN 15 (Note 4)	Per Channel	120	Hz
IN16 – IN18 (Note 4)	Simultaneous Switching (Turn ON and OFF sequence, 100 ns between channels)	120	Hz

4. While IN1 – IN6 are switching, IN1 – IN18 are not switching.

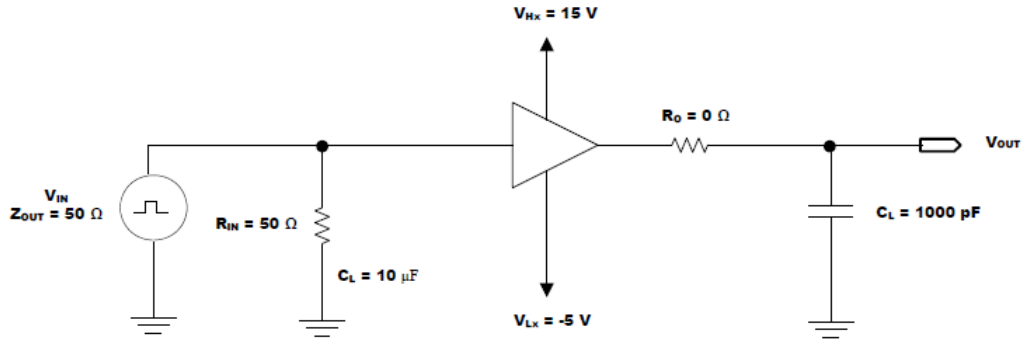


Figure 3. Switching Characteristics Test Setup

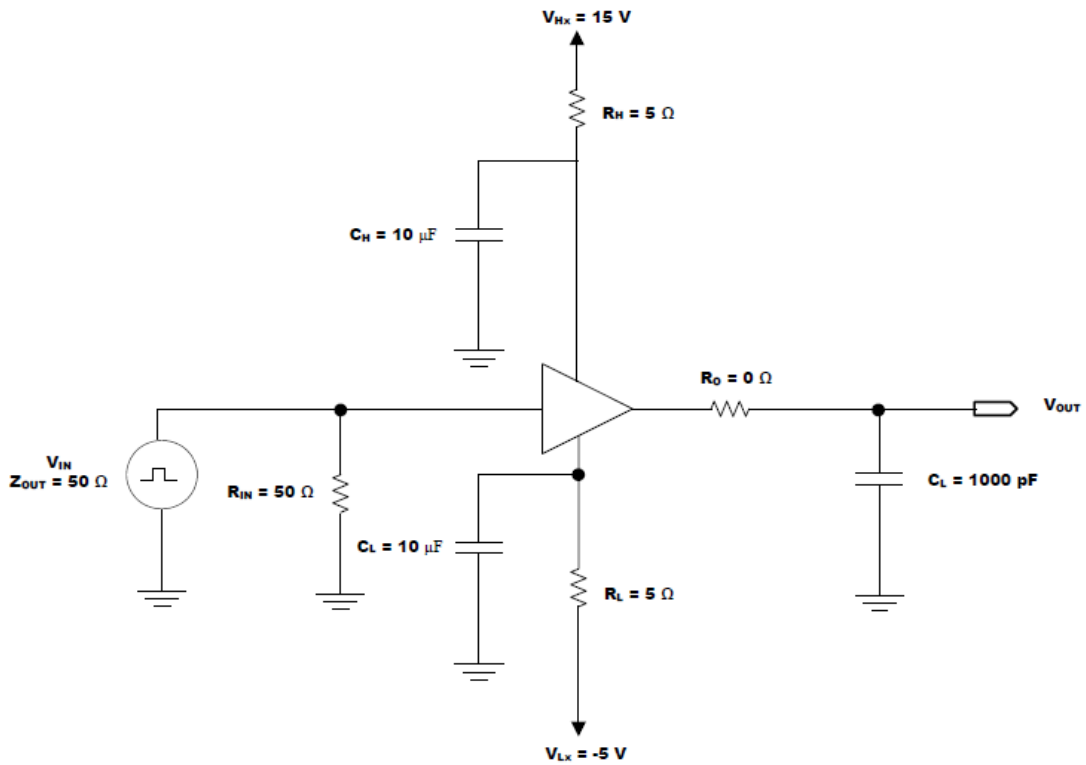


Figure 4. Switching Characteristics with 5 Ω Series Resistors Test Setup

APPLICATIONS INFORMATION

Power-Up Sequence

The recommended power-up sequence of the power supplies is provided in Figure 3.

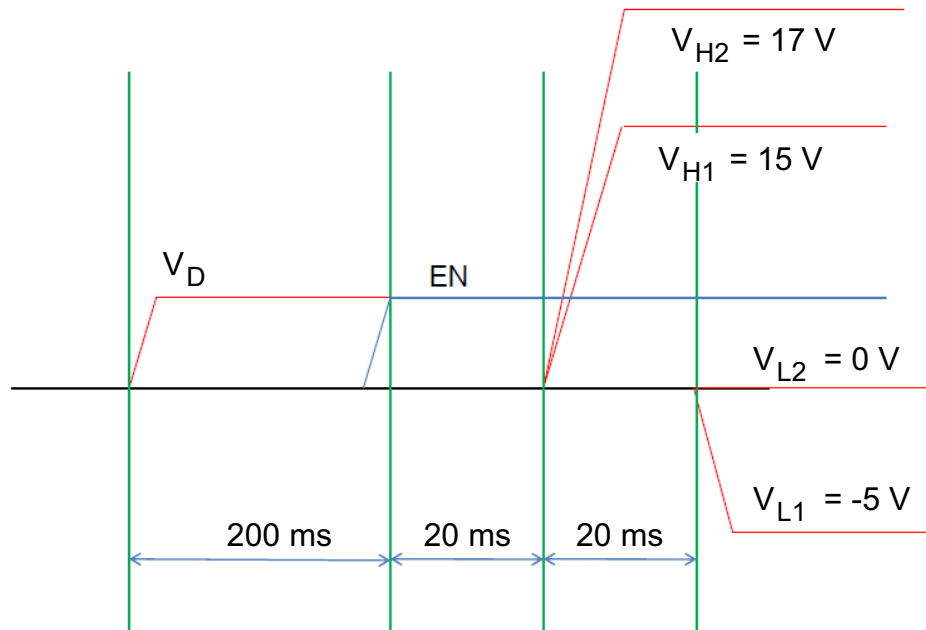


Figure 5. Power-Up Sequence

Power Supply Guidelines

Supply voltage V_{L1} must be less than or equal to voltage V_{L2} . The substrate is connected to V_{L1} ; thus, V_{L1} must be the at lowest voltage potential to ensure proper biasing of the internal level shifting circuits. In addition, setting V_{L1} to the lowest voltage ensures proper operation of the overvoltage and ESD protection circuits connected on the supply voltage and input/output lines, respectively.

For optimal performance, 0.1 and 1 μF decoupling capacitors are recommended for the V_D , V_{L1} , V_{L2} , V_{H1} , and

V_{H2} power supply pins. High frequency ceramic or tantalum capacitors are good design choices to filter and bypass any noise signals on the supply voltage lines to the ground plane of the PCB. The noise immunity will be maximized by placing the capacitors as close as possible to the supply and ground pins, along with minimizing the PCB connection traces. In addition, a ferrite bead can be placed between the two decoupling capacitors to form a bi-directional LC Tee filter if additional noise immunity is required.

OL183N40-00

Recommended PCB Options

2 Layer PCB

- Traces = 1.4 mm width, tin plating, copper 2 oz
- Routing of power lines will be in top layer
- In order to minimize inductance, returning current will be routed as close as possible to the power lines

4 Layer PCB

- Traces = 1.4 mm width, tin plating, copper 2 oz
- In order to reduce inductance, construction of layers will be as drawing below
- Power lines will be routed in top and returning current will be routed in inner1 right below the power lines



Figure 6. Recommended 4Layer PCB Options

PCB Layout Instructions

- The power devices should be placed as close as possible to each other in order to reduce inductance
- Decoupling filter capacitors should be placed as close as possible to the device in order to reduce ripple on supply.
- The V_H , V_L and V_D decoupling filter capacitors connected between the power supply and GND should be constructed from scaled capacitors. A small value

capacitor of 0.1 μ F, which filters high frequency, should be placed as close as possible to the device. A larger value capacitor of 1 μ F, which filters low frequency should be placed adjacent to the small capacitor, but farther away from the device.

- All output line should be far from each other to prevent cross talk
- All input lines should be matched in length to meet skew timing

ORDERING INFORMATION

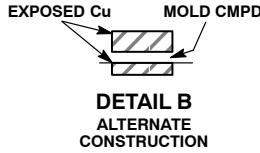
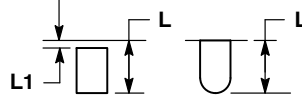
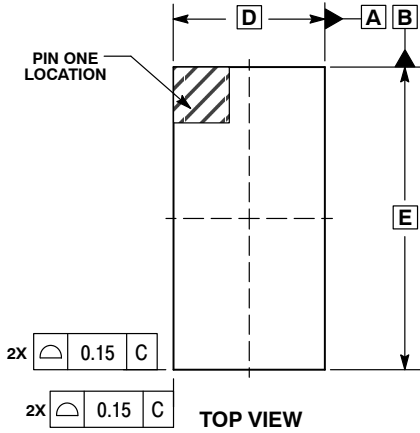
Device	Package	Shipping [†]
OL183N40-00	QFN-50 (Pb-Free)	2500 / Tape & Reel

[†]For information on tape and reel specifications, including part orientation and tape sizes, please refer to our Tape and Reel Packaging Specifications Brochure, BRD8011/D.

OL183N40-00

PACKAGE DIMENSIONS

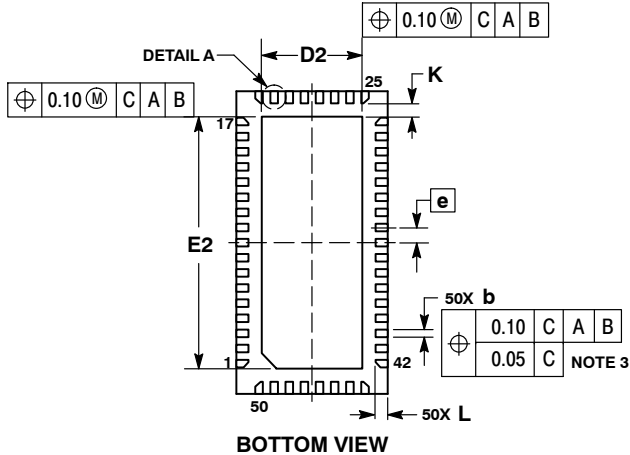
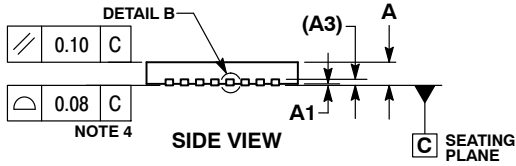
QFN50, 5x10, 0.5P
CASE 485BW
ISSUE O



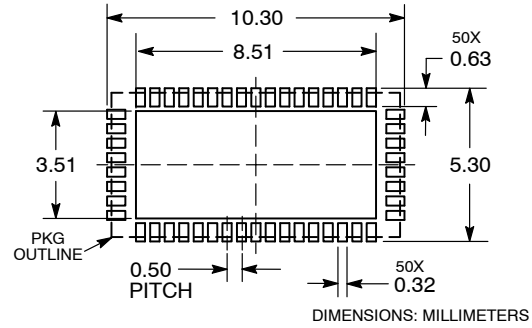
NOTES:

1. DIMENSIONING AND TOLERANCING PER ASME Y14.5M, 1994.
2. CONTROLLING DIMENSIONS: MILLIMETERS.
3. DIMENSION b APPLIES TO PLATED TERMINAL AND IS MEASURED BETWEEN 0.15 AND 0.25mm FROM TERMINAL TIP
4. COPLANARITY APPLIES TO THE EXPOSED PAD AS WELL AS THE TERMINALS.

DIM	MILLIMETERS	
	MIN	MAX
A	0.80	1.00
A1	0.00	0.05
A3	0.20 REF	
b	0.18	0.30
D	5.00 BSC	
D2	3.20	3.45
E	10.00 BSC	
E2	8.20	8.45
e	0.50 BSC	
K	0.20 MIN	
L	0.30	0.50
L1	0.00	0.15



RECOMMENDED SOLDERING FOOTPRINT*



*For additional information on our Pb-Free strategy and soldering details, please download the ON Semiconductor Soldering and Mounting Techniques Reference Manual, SOLDERRM/D.

ON Semiconductor and are registered trademarks of Semiconductor Components Industries, LLC (SCILLC). SCILLC reserves the right to make changes without further notice to any products herein. SCILLC makes no warranty, representation or guarantee regarding the suitability of its products for any particular purpose, nor does SCILLC assume any liability arising out of the application or use of any product or circuit, and specifically disclaims any and all liability, including without limitation special, consequential or incidental damages. "Typical" parameters which may be provided in SCILLC data sheets and/or specifications can and do vary in different applications and actual performance may vary over time. All operating parameters, including "Typicals" must be validated for each customer application by customer's technical experts. SCILLC does not convey any license under its patent rights nor the rights of others. SCILLC products are not designed, intended, or authorized for use as components in systems intended for surgical implant into the body, or other applications intended to support or sustain life, or for any other application in which the failure of the SCILLC product could create a situation where personal injury or death may occur. Should Buyer purchase or use SCILLC products for any such unintended or unauthorized application, Buyer shall indemnify and hold SCILLC and its officers, employees, subsidiaries, affiliates, and distributors harmless against all claims, costs, damages, and expenses, and reasonable attorney fees arising out of, directly or indirectly, any claim of personal injury or death associated with such unintended or unauthorized use, even if such claim alleges that SCILLC was negligent regarding the design or manufacture of the part. SCILLC is an Equal Opportunity/Affirmative Action Employer. This literature is subject to all applicable copyright laws and is not for resale in any manner.

PUBLICATION ORDERING INFORMATION

LITERATURE FULFILLMENT:
Literature Distribution Center for ON Semiconductor
P.O. Box 5163, Denver, Colorado 80217 USA
Phone: 303-675-2175 or 800-344-3860 Toll Free USA/Canada
Fax: 303-675-2176 or 800-344-3867 Toll Free USA/Canada
Email: orderlit@onsemi.com

N. American Technical Support: 800-282-9855 Toll Free USA/Canada
Europe, Middle East and Africa Technical Support:
Phone: 421 33 790 2910
Japan Customer Focus Center
Phone: 81-3-5817-1050

ON Semiconductor Website: www.onsemi.com
Order Literature: <http://www.onsemi.com/orderlit>
For additional information, please contact your local Sales Representative