

# P2041A

## Versatile EMI Reduction IC

### Description

The P2041A is a selectable spread spectrum frequency modulator designed specifically for PC peripheral and embedded controller markets. The P2041A reduces electromagnetic interference (EMI) at the clock source which provides system wide reduction of EMI of all clock dependent signals. The P2041A allows significant system cost savings by reducing the number of circuit board layers and shielding that are traditionally required to pass EMI regulations.

The P2041A uses the most efficient and optimized modulation profile approved by the FCC and is implemented in a proprietary all-digital method.

The P2041A modulates the output of a single PLL in order to “spread” the bandwidth of a synthesized clock and, more importantly, decreases the peak amplitudes of its harmonics. This results in significantly lower system EMI compared to the typical narrow band signal produced by oscillators and most frequency generators. Lowering EMI by increasing a signal’s bandwidth is called ‘spread spectrum clock generation.’

### Applications

The P2041A is targeted towards the embedded controller market and PC peripheral markets including scanners, MFP’s, printers, PDA, IA, and GPS devices.

### Features

- FCC Approved Method of EMI Attenuation
- Provides up to 20 dB of EMI Suppression
- Generates a Low EMI Spread Spectrum Clock of the Input Frequency
- Optimized for 25 MHz to 60 MHz Input Frequency Range
- Internal Loop Filter Minimizes External Components and Board Space
- 4 Selectable Spread Ranges
- SSON Control Pin for Spread Spectrum Enable and Disable Options
- Low Cycle-to-Cycle Jitter
- 3.3 V or 5.0 V Operating Voltage
- Low Power CMOS Design
- Available in 8-pin SOIC and TSSOP Packages
- These are Pb-Free Devices



**ON Semiconductor®**

<http://onsemi.com>

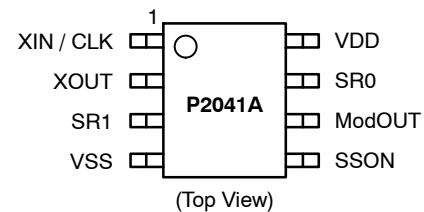


**SOIC-8  
S SUFFIX  
CASE 751BD**



**TSSOP-8  
T SUFFIX  
CASE 948AL**

### PIN CONFIGURATION



### ORDERING INFORMATION

See detailed ordering and shipping information in the package dimensions section on page 7 of this data sheet.

# P2041A

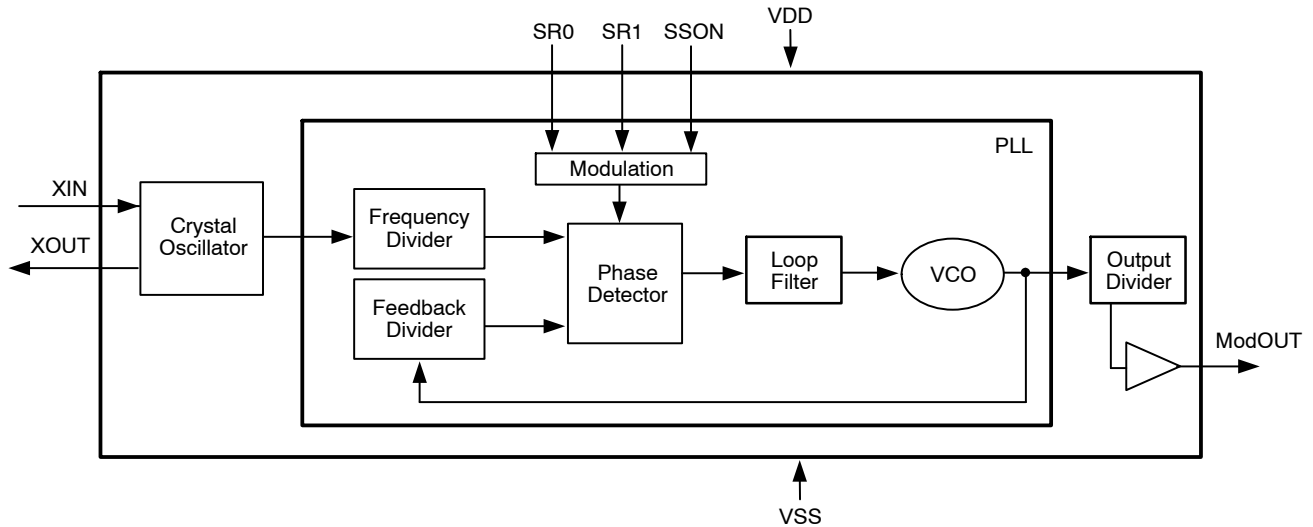


Figure 1. Block Diagram

Table 1. ABSOLUTE MAXIMUM RATINGS

Symbol	Parameter	Rating	Unit
VDD, V <sub>IN</sub>	Voltage on any pin with respect to Ground	-0.5 to +7.0	V
T <sub>STG</sub>	Storage temperature	-65 to +125	°C
T <sub>A</sub>	Operating temperature	-40 to +85	°C
T <sub>s</sub>	Max. Soldering Temperature (10 sec)	260	°C
T <sub>J</sub>	Junction Temperature	150	°C
T <sub>DV</sub>	Static Discharge Voltage (As per JEDEC STD22- A114-B)	2	KV

Stresses exceeding Maximum Ratings may damage the device. Maximum Ratings are stress ratings only. Functional operation above the Recommended Operating Conditions is not implied. Extended exposure to stresses above the Recommended Operating Conditions may affect device reliability.

Table 2. PIN DESCRIPTION

Pin#	Pin Name	Type	Description
1	XIN / CLK	I	Connect to crystal or externally generated clock signal.
2	XOUT	I	Connect to crystal. No connect if externally generated clock signal is used.
3	SR1	I	Digital logic input used to select Spreading Range (see Table 3). This pin has an internal pull-up resistor.
4	VSS	P	Ground Connection. Connect to system ground.
5	SSON	I	Digital logic input used to enable Spread Spectrum function (Active Low). Spread Spectrum function enable when low. This pin has an internal pull-low resistor.
6	ModOUT	O	Spread Spectrum Clock Output.
7	SR0	I	Digital logic input used to select Spreading Range (see Table 3). This pin has an internal pull-up resistor.
8	VDD	P	Connect to +3.3 V or +5.0 V.

# P2041A

**Table 3. SPREAD RANGE SELECTION**

SR1	SR0	Spreading Range	Modulation rate
0	0	±1.50%	(Fin/40)*34.72 KHz
0	1	±2.50%	(Fin/40)*34.72 KHz
1	0	±0.50%	(Fin/40)*34.72 KHz
1	1	±1.00%	(Fin/40)*34.72 KHz

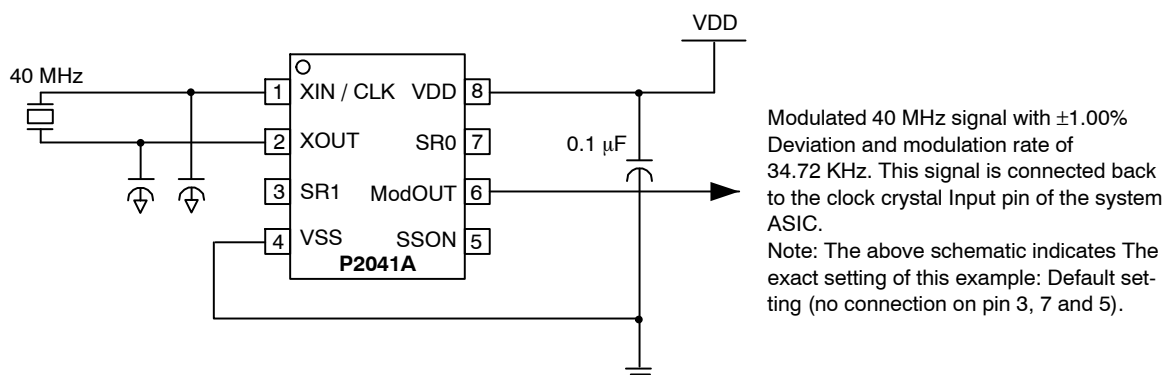
## Spread Spectrum Selection

Table 3 illustrates the possible spread spectrum options. The optimal setting should minimize system EMI to the fullest without affecting system performance. The spreading is described as a percentage deviation of the center frequency (Note: The center frequency is the frequency of the external reference input on XIN / CLK, Pin 1).

## Example of a typical printer or scanner application that operates on a clock frequency of 40 MHz:

A spreading selection of SR1=1 and SR0=1 provides a percentage deviation of ±1.00%\* (see Table 3) of Center Frequency. This results in the frequency on ModOUT being swept from 40.40 MHz to 39.60 MHz at a modulation rate of  $(40/40) * 34.72 = 34.72$  KHz (see Table 3). This particular example (see Figure below) given here is a common EMI reduction method for scanners and has already been implemented by most of the leading manufacturers.

NOTE: Spreading range selection varies from different system manufacturers and their designs. The spreading range of P2041A can be set to ±2.5% when working with certain scanner model.



**Figure 2. P2041A Application Schematic for Flat-Bed Scanner**

# P2041A

**Table 4. DC ELECTRICAL CHARACTERISTICS**

(Test condition: All parameters are measured at room temperature (+25°C) unless otherwise stated.)

Symbol	Parameter	Min	Typ	Max	Unit	
V <sub>IL</sub>	Input low Voltage	(For 3.3 V Supply Voltage)	VSS-0.3	-	0.8	V
		(For 5 V Supply Voltage)	-	-	1.5	
V <sub>IH</sub>	Input low Voltage	(For 3.3 V Supply Voltage)	2.0	-	VDD+0.3	V
		(For 5 V Supply Voltage)	3.5	-	-	
I <sub>IL</sub>	Input Low Current (pull-up resistor on inputs SR0, SR1)	(For 3.3 V Supply Voltage)	-	-	-35	μA
		(For 5 V Supply Voltage)	-	-	-100	
I <sub>IH</sub>	Input High Current (pull-down resistor on input SSON)	(For 3.3 V Supply Voltage)	-	-	35	μA
		(For 5 V Supply Voltage)	-	-	100	
I <sub>XOL</sub>	XOUT Output Low Current (V <sub>XOL</sub> @ 0.4 V, VDD = 3.3 V)	-	3	-	mA	
I <sub>XOH</sub>	XOUT Output High Current (V <sub>XOH</sub> @ 2.5 V, VDD = 3.3 V)	-	3	-	mA	
V <sub>OL</sub>	Output Low Voltage	(VDD = 3.3 V, I <sub>OL</sub> = 20 mA)	-	-	0.4	V
		(VDD = 5 V, I <sub>OL</sub> = 20 mA)	-	-	0.5	
V <sub>OH</sub>	Output High Voltage	(VDD = 3.3 V, I <sub>OH</sub> = 20 mA)	2.5	-	-	V
		(VDD = 5 V, I <sub>OH</sub> = 20 mA)	4.5	-	-	
I <sub>DD</sub>	Static Supply Current	-	1.0	-	mA	
I <sub>CC</sub>	Dynamic Supply Current	3.3 V and 15 pF loading	-	-	22	mA
		5 V and 15 pF loading	-	-	35	
VDD	Operating Voltage	2.7	3.3	5.5	V	

**Table 5. AC ELECTRICAL CHARACTERISTICS**

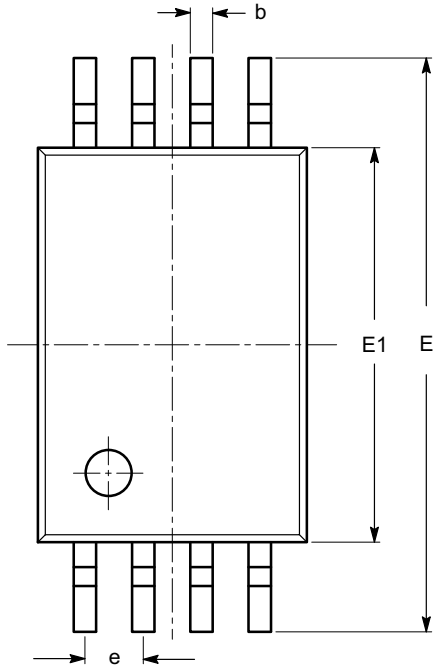
Symbol	Parameter	Min	Typ	Max	Unit
f <sub>IN</sub>	Input Frequency	25	40	60	MHz
t <sub>LH</sub> (Note 1)	Output rise time (Measured at 0.8 V to 2.0 V)	0.7	1.0	1.3	nS
t <sub>HL</sub> (Note 1)	Output fall time (Measured at 2.0 V to 0.8 V)	0.6	0.8	1.0	nS
t <sub>JC</sub>	Jitter (Cycle-to-cycle)	-	360	-	pS
t <sub>D</sub>	Output duty cycle	45	50	55	%

1. t<sub>LH</sub> and t<sub>HL</sub> are measured into a capacitive load of 15 pF.

# P2041A

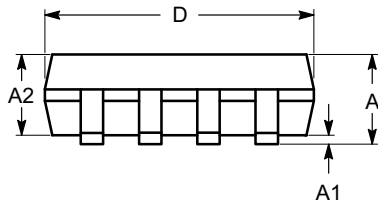
## PACKAGE DIMENSIONS

TSSOP8, 4.4x3  
CASE 948AL-01  
ISSUE O

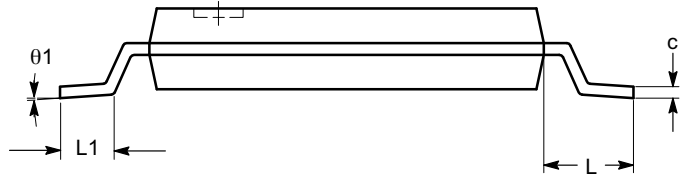


SYMBOL	MIN	NOM	MAX
A			1.20
A1	0.05		0.15
A2	0.80	0.90	1.05
b	0.19		0.30
c	0.09		0.20
D	2.90	3.00	3.10
E	6.30	6.40	6.50
E1	4.30	4.40	4.50
e	0.65 BSC		
L	1.00 REF		
L1	0.50	0.60	0.75
$\theta$	0°		8°

TOP VIEW



SIDE VIEW



END VIEW

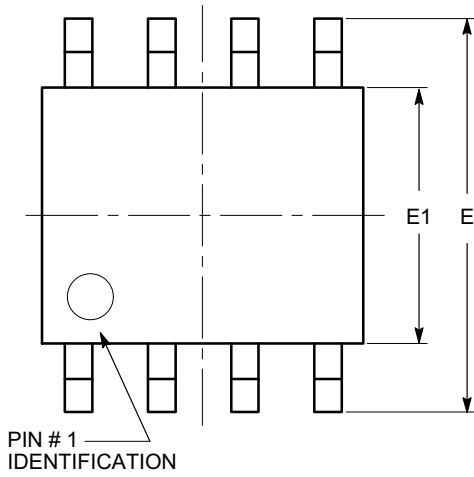
**Notes:**

- (1) All dimensions are in millimeters. Angles in degrees.
- (2) Complies with JEDEC MO-153.

# P2041A

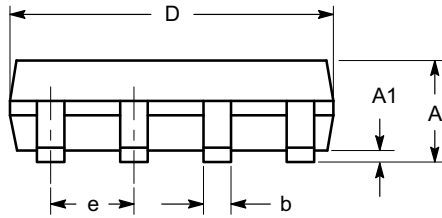
## PACKAGE DIMENSIONS

SOIC 8, 150 mils  
CASE 751BD-01  
ISSUE O

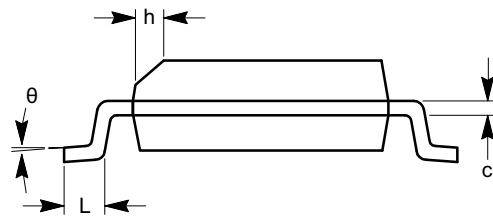


TOP VIEW

SYMBOL	MIN	NOM	MAX
A	1.35		1.75
A1	0.10		0.25
b	0.33		0.51
c	0.19		0.25
D	4.80		5.00
E	5.80		6.20
E1	3.80		4.00
e	1.27 BSC		
h	0.25		0.50
L	0.40		1.27
$\theta$	0°		8°



SIDE VIEW



END VIEW


**Notes:**

- (1) All dimensions are in millimeters. Angles in degrees.
- (2) Complies with JEDEC MS-012.

# P2041A

**Table 6. ORDERING INFORMATION**

Part Number	Marking	Package Type	Temperature
P2041AF-08ST	P2041AF	8-Pin SOIC, Tube, Pb Free	Commercial
P2041AF-08SR	P2041AF	8-Pin SOIC, Tape and Reel, Pb Free	Commercial
P2041AF-08TT	P2041AF	8-Pin TSSOP, Tube, Pb Free	Commercial
P2041AF-08TR	P2041AF	8-Pin TSSOP, Tape and Reel, Pb Free	Commercial
P2041AG-08ST	P2041AG	8-Pin SOIC, Tube, Green	Commercial
P2041AG-08SR	P2041AG	8-Pin SOIC, Tape and Reel, Green	Commercial
P2041AG-08TT	P2041AG	8-Pin TSSOP, Tube, Green	Commercial
P2041AG-08TR	P2041AG	8-Pin TSSOP, Tape and Reel, Green	Commercial
I2041AF-08ST	I2041AF	8-Pin SOIC, Tube, Pb Free	Industrial
I2041AF-08SR	I2041AF	8-Pin SOIC, Tape and Reel, Pb Free	Industrial
I2041AF-08TT	I2041AF	8-Pin TSSOP, Tube, Pb Free	Industrial
I2041AF-08TR	I2041AF	8-Pin TSSOP, Tape and Reel, Pb Free	Industrial
I2041AG-08ST	I2041AG	8-Pin SOIC, Tube, Green	Industrial
I2041AG-08SR	I2041AG	8-Pin SOIC, Tape and Reel, Green	Industrial
I2041AG-08TT	I2041AG	8-Pin TSSOP, Tube, Green	Industrial
I2041AG-08TR	I2041AG	8-Pin TSSOP, Tape and Reel, Green	Industrial

**ON Semiconductor** and  are registered trademarks of Semiconductor Components Industries, LLC (SCILLC). SCILLC reserves the right to make changes without further notice to any products herein. SCILLC makes no warranty, representation or guarantee regarding the suitability of its products for any particular purpose, nor does SCILLC assume any liability arising out of the application or use of any product or circuit, and specifically disclaims any and all liability, including without limitation special, consequential or incidental damages. "Typical" parameters which may be provided in SCILLC data sheets and/or specifications can and do vary in different applications and actual performance may vary over time. All operating parameters, including "Typicals" must be validated for each customer application by customer's technical experts. SCILLC does not convey any license under its patent rights nor the rights of others. SCILLC products are not designed, intended, or authorized for use as components in systems intended for surgical implant into the body, or other applications intended to support or sustain life, or for any other application in which the failure of the SCILLC product could create a situation where personal injury or death may occur. Should Buyer purchase or use SCILLC products for any such unintended or unauthorized application, Buyer shall indemnify and hold SCILLC and its officers, employees, subsidiaries, affiliates, and distributors harmless against all claims, costs, damages, and expenses, and reasonable attorney fees arising out of, directly or indirectly, any claim of personal injury or death associated with such unintended or unauthorized use, even if such claim alleges that SCILLC was negligent regarding the design or manufacture of the part. SCILLC is an Equal Opportunity/Affirmative Action Employer. This literature is subject to all applicable copyright laws and is not for resale in any manner.

## PUBLICATION ORDERING INFORMATION

### LITERATURE FULFILLMENT:

Literature Distribution Center for ON Semiconductor  
P.O. Box 5163, Denver, Colorado 80217 USA  
**Phone:** 303-675-2175 or 800-344-3860 Toll Free USA/Canada  
**Fax:** 303-675-2176 or 800-344-3867 Toll Free USA/Canada  
**Email:** [orderlit@onsemi.com](mailto:orderlit@onsemi.com)

**N. American Technical Support:** 800-282-9855 Toll Free  
USA/Canada  
**Europe, Middle East and Africa Technical Support:**  
Phone: 421 33 790 2910  
**Japan Customer Focus Center**  
Phone: 81-3-5773-3850

**ON Semiconductor Website:** [www.onsemi.com](http://www.onsemi.com)

**Order Literature:** <http://www.onsemi.com/orderlit>

For additional information, please contact your local Sales Representative