

SN74LS157

Quad 2-Input Multiplexer

The LSTTL/MSI SN74LS157 is a high speed Quad 2-Input Multiplexer. Four bits of data from two sources can be selected using the common Select and Enable inputs. The four buffered outputs present the selected data in the true (non-inverted) form. The LS157 can also be used to generate any four of the 16 different functions of two variables. The LS157 is fabricated with the Schottky barrier diode process for high speed and is completely compatible with all ON Semiconductor TTL families.

- Schottky Process for High Speed
- Multifunction Capability
- Non-Inverting Outputs
- Input Clamp Diodes Limit High Speed Termination Effects
- Special Circuitry Ensures Glitch Free Multiplexing
- ESD > 3500 Volts

GUARANTEED OPERATING RANGES

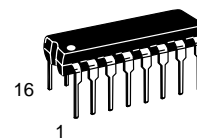
| Symbol | Parameter | Min | Typ | Max | Unit |
|-----------------|-------------------------------------|------|-----|------|------|
| V _{CC} | Supply Voltage | 4.75 | 5.0 | 5.25 | V |
| T _A | Operating Ambient Temperature Range | 0 | 25 | 70 | °C |
| I _{OH} | Output Current – High | | | -0.4 | mA |
| I _{OL} | Output Current – Low | | | 8.0 | mA |



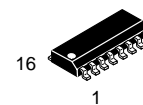
ON Semiconductor™

<http://onsemi.com>

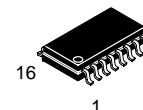
LOW POWER SCHOTTKY



PLASTIC
N SUFFIX
CASE 648



SOIC
D SUFFIX
CASE 751B



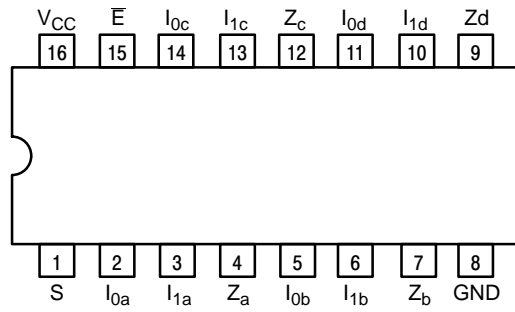
SOEIAJ
M SUFFIX
CASE 966

ORDERING INFORMATION

| Device | Package | Shipping |
|--------------|------------|------------------|
| SN74LS157N | 16 Pin DIP | 2000 Units/Box |
| SN74LS157D | SOIC-16 | 38 Units/Rail |
| SN74LS157DR2 | SOIC-16 | 2500/Tape & Reel |
| SN74LS157M | SOEIAJ-16 | See Note 1 |
| SN74LS157MEL | SOEIAJ-16 | See Note 1 |

1. For ordering information on the EIAJ version of the SOIC package, please contact your local ON Semiconductor representative.

SN74LS157



NOTE: The Flatpak version has the same pinouts (Connection Diagram) as the Dual In-Line Package.

| PIN NAMES | | LOADING (Note a) | |
|-------------------|---------------------------|------------------|-----------|
| | | HIGH | LOW |
| S | Common Select Input | 1.0 U.L. | 0.5 U.L. |
| \bar{E} | Enable (Active LOW) Input | 1.0 U.L. | 0.5 U.L. |
| $I_{0a} - I_{0d}$ | Data Inputs from Source 0 | 0.5 U.L. | 0.25 U.L. |
| $I_{1a} - I_{1d}$ | Data Inputs from Source 1 | 0.5 U.L. | 0.25 U.L. |
| $Z_a - Z_d$ | Multiplexer Outputs | 10 U.L. | 5 U.L. |

NOTES: a) 1 TTL Unit Load (U.L.) = 40 μ A HIGH/1.6 mA LOW.

Figure 1. Connection Diagram DIP (TOP VIEW)

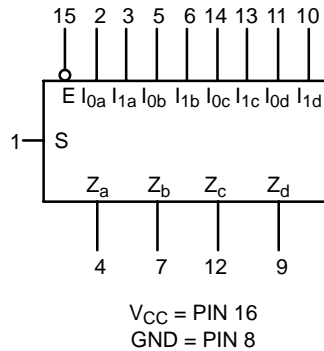


Figure 2. Logic Symbol

SN74LS157

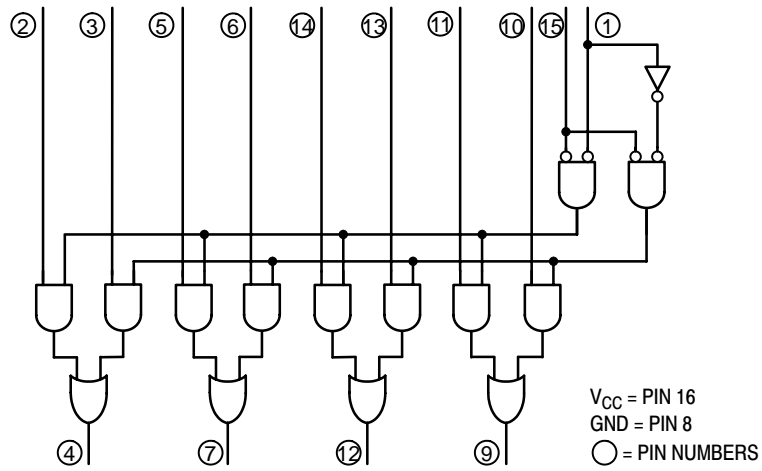


Figure 3. Logic Diagram

FUNCTIONAL DESCRIPTION

The LS157 is a Quad 2-Input Multiplexer fabricated with the Schottky barrier diode process for high speed. It selects four bits of data from two sources under the control of a common Select Input (S). The Enable Input (\bar{E}) is active LOW. When \bar{E} is HIGH, all of the outputs (Z) are forced LOW regardless of all other inputs.

The LS157 is the logic implementation of a 4-pole, 2-position switch where the position of the switch is determined by the logic levels supplied to the Select Input. The logic equations for the outputs are:

$$Z_a = \bar{E} \cdot (I_{1a} \cdot S + I_{0a} \cdot \bar{S}) \quad Z_b = \bar{E} \cdot (I_{1b} \cdot S + I_{0b} \cdot \bar{S})$$

$$Z_c = \bar{E} \cdot (I_{1c} \cdot S + I_{0c} \cdot \bar{S}) \quad Z_d = \bar{E} \cdot (I_{1d} \cdot S + I_{0d} \cdot \bar{S})$$

A common use of the LS157 is the moving of data from two groups of registers to four common output busses. The particular register from which the data comes is determined by the state of the Select Input. A less obvious use is as a function generator. The LS157 can generate any four of the 16 different functions of two variables with one variable common. This is useful for implementing highly irregular logic.

TRUTH TABLE

| ENABLE | SELECT INPUT | INPUTS | | OUTPUT |
|-----------|--------------|----------------|----------------|--------|
| | | I ₀ | I ₁ | |
| \bar{E} | S | I ₀ | I ₁ | Z |
| H | X | X | X | L |
| L | H | X | L | L |
| L | H | X | H | H |
| L | L | L | X | L |
| L | L | H | X | H |

H = HIGH Voltage Level
L = LOW Voltage Level
X = Don't Care

SN74LS157

DC CHARACTERISTICS OVER OPERATING TEMPERATURE RANGE (unless otherwise specified)

| Symbol | Parameter | Limits | | | Unit | Test Conditions |
|----------|--|--------|-------|--------------|---------------|---|
| | | Min | Typ | Max | | |
| V_{IH} | Input HIGH Voltage | 2.0 | | | V | Guaranteed Input HIGH Voltage for All Inputs |
| V_{IL} | Input LOW Voltage | | | 0.8 | V | Guaranteed Input LOW Voltage for All Inputs |
| V_{IK} | Input Clamp Diode Voltage | | -0.65 | -1.5 | V | $V_{CC} = \text{MIN}$, $I_{IN} = -18 \text{ mA}$ |
| V_{OH} | Output HIGH Voltage | 2.7 | 3.5 | | V | $V_{CC} = \text{MIN}$, $I_{OH} = \text{MAX}$, $V_{IN} = V_{IH}$ or V_{IL} per Truth Table |
| V_{OL} | Output LOW Voltage | | 0.25 | 0.4 | V | $V_{CC} = V_{CC} \text{ MIN}$, $V_{IN} = V_{IL}$ or V_{IH} per Truth Table |
| | | | 0.35 | 0.5 | V | |
| I_{IH} | Input HIGH Current I_0, I_1 \bar{E}, S | | | 20 40 | μA | $V_{CC} = \text{MAX}$, $V_{IN} = 2.7 \text{ V}$ |
| | I_0, I_1 \bar{E}, S | | | 0.1 0.2 | mA | $V_{CC} = \text{MAX}$, $V_{IN} = 7.0 \text{ V}$ |
| I_{IL} | Input LOW Current I_0, I_1 \bar{E}, S | | | -0.4 -0.8 | mA | $V_{CC} = \text{MAX}$, $V_{IN} = 0.4 \text{ V}$ |
| I_{OS} | Short Circuit Current (Note 2) | -20 | | -100 | mA | $V_{CC} = \text{MAX}$ |
| I_{CC} | Power Supply Current | | | 16 | mA | $V_{CC} = \text{MAX}$ |

2. Not more than one output should be shorted at a time, nor for more than 1 second.

AC CHARACTERISTICS ($T_A = 25^\circ\text{C}$)

| Symbol | Parameter | Limits | | | Unit | Test Conditions |
|------------------------|---------------------------------------|--------|------------|----------|------|---|
| | | Min | Typ | Max | | |
| t_{PLH} t_{PHL} | Propagation Delay Data to Output | | 9.0 9.0 | 14 14 | ns | $V_{CC} = 5.0 \text{ V}$ $C_L = 15 \text{ pF}$ |
| t_{PLH} t_{PHL} | Propagation Delay Enable to Output | | 13 14 | 20 21 | ns | |
| t_{PLH} t_{PHL} | Propagation Delay Select to Output | | 15 18 | 23 27 | ns | |

AC WAVEFORMS

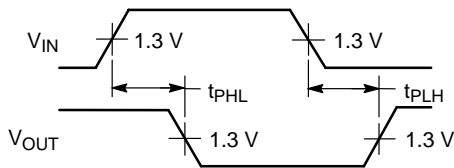


Figure 1.

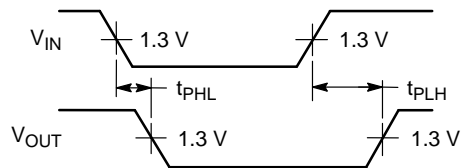
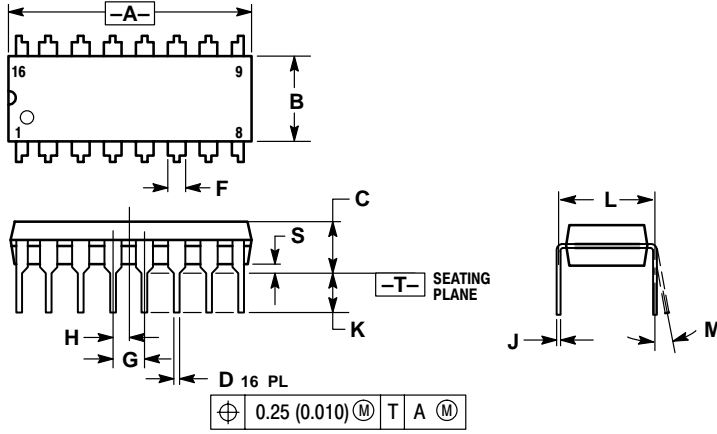


Figure 2.

SN74LS157

PACKAGE DIMENSIONS

N SUFFIX
PLASTIC PACKAGE
 CASE 648-08
 ISSUE R



NOTES:

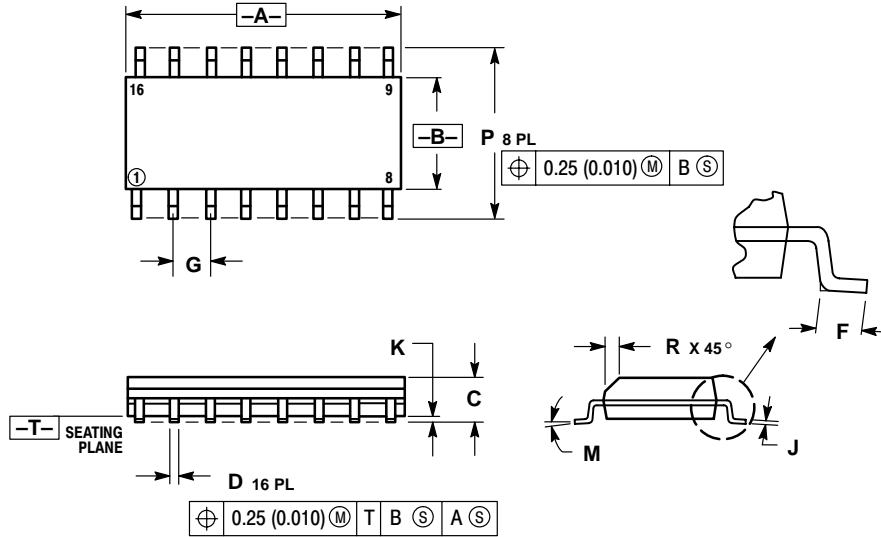
1. DIMENSIONING AND TOLERANCING PER ANSI Y14.5M, 1982.
2. CONTROLLING DIMENSION: INCH.
3. DIMENSION L TO CENTER OF LEADS WHEN FORMED PARALLEL.
4. DIMENSION B DOES NOT INCLUDE MOLD FLASH.
5. ROUNDED CORNERS OPTIONAL.

| DIM | INCHES | | MILLIMETERS | |
|-----|-----------|-------|-------------|-------|
| | MIN | MAX | MIN | MAX |
| A | 0.740 | 0.770 | 18.80 | 19.55 |
| B | 0.250 | 0.270 | 6.35 | 6.85 |
| C | 0.145 | 0.175 | 3.69 | 4.44 |
| D | 0.015 | 0.021 | 0.39 | 0.53 |
| F | 0.040 | 0.70 | 1.02 | 1.77 |
| G | 0.100 BSC | | 2.54 BSC | |
| H | 0.050 BSC | | 1.27 BSC | |
| J | 0.008 | 0.015 | 0.21 | 0.38 |
| K | 0.110 | 0.130 | 2.80 | 3.30 |
| L | 0.295 | 0.305 | 7.50 | 7.74 |
| M | 0° 10° | | 0° 10° | |
| S | 0.020 | 0.040 | 0.51 | 1.01 |

SN74LS157

PACKAGE DIMENSIONS

D SUFFIX PLASTIC SOIC PACKAGE CASE 751B-05 ISSUE J



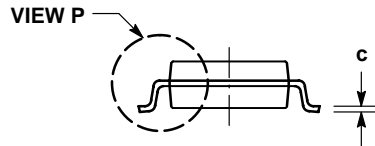
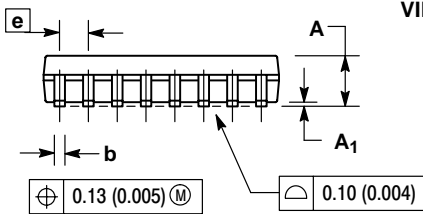
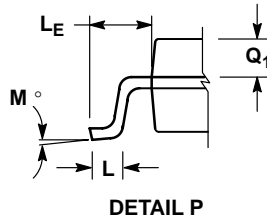
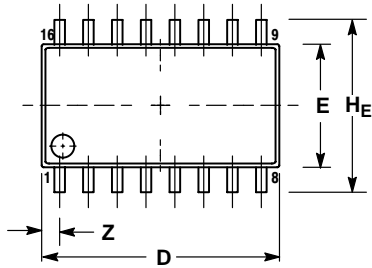
- NOTES:
1. DIMENSIONING AND TOLERANCING PER ANSI Y14.5M, 1982.
 2. CONTROLLING DIMENSION: MILLIMETER.
 3. DIMENSIONS A AND B DO NOT INCLUDE MOLD PROTRUSION.
 4. MAXIMUM MOLD PROTRUSION 0.15 (0.006) PER SIDE.
 5. DIMENSION D DOES NOT INCLUDE DAMBAR PROTRUSION. ALLOWABLE DAMBAR PROTRUSION SHALL BE 0.127 (0.005) TOTAL IN EXCESS OF THE D DIMENSION AT MAXIMUM MATERIAL CONDITION.

| DIM | MILLIMETERS | | INCHES | |
|-----|-------------|-------|-----------|-------|
| | MIN | MAX | MIN | MAX |
| A | 9.80 | 10.00 | 0.386 | 0.393 |
| B | 3.80 | 4.00 | 0.150 | 0.157 |
| C | 1.35 | 1.75 | 0.054 | 0.068 |
| D | 0.35 | 0.49 | 0.014 | 0.019 |
| F | 0.40 | 1.25 | 0.016 | 0.049 |
| G | 1.27 BSC | | 0.050 BSC | |
| J | 0.19 | 0.25 | 0.008 | 0.009 |
| K | 0.10 | 0.25 | 0.004 | 0.009 |
| M | 0° 7° | | 0° 7° | |
| P | 5.80 | 6.20 | 0.229 | 0.244 |
| R | 0.25 | 0.50 | 0.010 | 0.019 |

SN74LS157

PACKAGE DIMENSIONS

M SUFFIX
SOEIAJ PACKAGE
CASE 966-01
ISSUE O



NOTES:

1. DIMENSIONING AND TOLERANCING PER ANSI Y14.5M, 1982.
2. CONTROLLING DIMENSION: MILLIMETER.
3. DIMENSIONS D AND E DO NOT INCLUDE MOLD FLASH OR PROTRUSIONS AND ARE MEASURED AT THE PARTING LINE. MOLD FLASH OR PROTRUSIONS SHALL NOT EXCEED 0.15 (0.006) PER SIDE.
4. TERMINAL NUMBERS ARE SHOWN FOR REFERENCE ONLY.
5. THE LEAD WIDTH DIMENSION (b) DOES NOT INCLUDE DAMBAR PROTRUSION. ALLOWABLE DAMBAR PROTRUSION SHALL BE 0.08 (0.003) TOTAL IN EXCESS OF THE LEAD WIDTH DIMENSION AT MAXIMUM MATERIAL CONDITION. DAMBAR CANNOT BE LOCATED ON THE LOWER RADIUS OR THE FOOT. MINIMUM SPACE BETWEEN PROTRUSIONS AND ADJACENT LEAD TO BE 0.46 (0.018).

| DIM | MILLIMETERS | | INCHES | |
|----------------|-------------|-------|-----------|-------|
| | MIN | MAX | MIN | MAX |
| A | --- | 2.05 | --- | 0.081 |
| A ₁ | 0.05 | 0.20 | 0.002 | 0.008 |
| b | 0.35 | 0.50 | 0.014 | 0.020 |
| c | 0.18 | 0.27 | 0.007 | 0.011 |
| D | 9.90 | 10.50 | 0.390 | 0.413 |
| E | 5.10 | 5.45 | 0.201 | 0.215 |
| e | 1.27 BSC | | 0.050 BSC | |
| H _E | 7.40 | 8.20 | 0.291 | 0.323 |
| L | 0.50 | 0.85 | 0.020 | 0.033 |
| L _E | 1.10 | 1.50 | 0.043 | 0.059 |
| M | 0° | 10° | 0° | 10° |
| Q ₁ | 0.70 | 0.90 | 0.028 | 0.035 |
| Z | --- | 0.78 | --- | 0.031 |

ON Semiconductor and  are trademarks of Semiconductor Components Industries, LLC (SCILLC). SCILLC reserves the right to make changes without further notice to any products herein. SCILLC makes no warranty, representation or guarantee regarding the suitability of its products for any particular purpose, nor does SCILLC assume any liability arising out of the application or use of any product or circuit, and specifically disclaims any and all liability, including without limitation special, consequential or incidental damages. "Typical" parameters which may be provided in SCILLC data sheets and/or specifications can and do vary in different applications and actual performance may vary over time. All operating parameters, including "Typicals" must be validated for each customer application by customer's technical experts. SCILLC does not convey any license under its patent rights nor the rights of others. SCILLC products are not designed, intended, or authorized for use as components in systems intended for surgical implant into the body, or other applications intended to support or sustain life, or for any other application in which the failure of the SCILLC product could create a situation where personal injury or death may occur. Should Buyer purchase or use SCILLC products for any such unintended or unauthorized application, Buyer shall indemnify and hold SCILLC and its officers, employees, subsidiaries, affiliates, and distributors harmless against all claims, costs, damages, and expenses, and reasonable attorney fees arising out of, directly or indirectly, any claim of personal injury or death associated with such unintended or unauthorized use, even if such claim alleges that SCILLC was negligent regarding the design or manufacture of the part. SCILLC is an Equal Opportunity/Affirmative Action Employer.

PUBLICATION ORDERING INFORMATION

Literature Fulfillment:

Literature Distribution Center for ON Semiconductor
P.O. Box 5163, Denver, Colorado 80217 USA
Phone: 303-675-2175 or 800-344-3860 Toll Free USA/Canada
Fax: 303-675-2176 or 800-344-3867 Toll Free USA/Canada
Email: ONlit@hibbertco.com

N. American Technical Support: 800-282-9855 Toll Free USA/Canada

JAPAN: ON Semiconductor, Japan Customer Focus Center
4-32-1 Nishi-Gotanda, Shinagawa-ku, Tokyo, Japan 141-0031
Phone: 81-3-5740-2700
Email: r14525@onsemi.com

ON Semiconductor Website: <http://onsemi.com>

For additional information, please contact your local Sales Representative.