

NCP4569

300 mA CMOS LDO with Shutdown and V_{REF} Bypass

The NCP4569 is a fixed output, high accuracy (typically $\pm 0.5\%$) CMOS upgrade for older (bipolar) low dropout regulators. Total supply current is typically $50 \mu\text{A}$ at full load (20 to 60 times lower than in bipolar regulators).

NCP4569 key features include ultra low noise operation (plus optional Bypass input); very low dropout voltage (typically 240 mV at full load), and fast response to step changes in load. Supply current is reduced to $0.05 \mu\text{A}$ (typical) and V_{OUT} falls to zero when the shutdown input is low.

The NCP4569 incorporates both over-temperature and over-current protection. The NCP4569 is stable with an output capacitor of only $1.0 \mu\text{F}$ and has a maximum output current of 300 mA.

Features

- Zero Ground Current for Longer Battery Life
- Very Low Dropout Voltage
- Guaranteed 300 mA Output
- High Output Voltage Accuracy
- Standard or Custom Output Voltages
- Power-Saving Shutdown Mode
- Bypass Input for Ultra-Quiet Operation
- Over-Current and Over-Temperature Protection
- Space-Saving Micro-8 Package

Applications

- Battery-Operated Systems
- Portable Computers
- Medical Instruments
- Instrumentation
- Cellular/GSM/PHS Phones
- Linear Post-Regulator for SMPS
- Pagers
- Digital Cameras

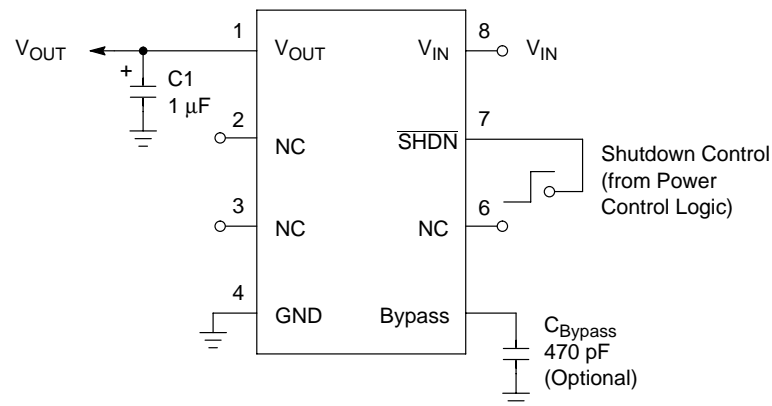
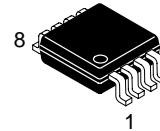


Figure 1. Typical Application



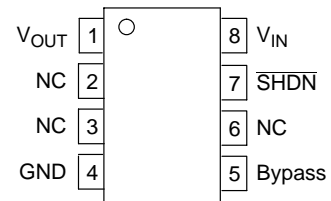
ON Semiconductor™

<http://onsemi.com>



MICRO-8
DM SUFFIX
CASE 846A

PIN CONFIGURATION



(Top View)

ORDERING INFORMATION

See detailed ordering and shipping information in the package dimensions section on page 7 of this data sheet.

NCP4569

ABSOLUTE MAXIMUM RATINGS*

Rating	Symbol	Value	Unit	
Input Voltage	–	6.5	V	
Output Voltage	–	$V_{SS} - 0.3$ to $V_{IN} + 0.3$	–	
Power Dissipation	–	Internally Limited (Note 8.)	–	
Operating Temperature	T_A	$-40 < T_J < 125$	°C	
Storage Temperature	T_{stg}	-65 to $+150$	°C	
Maximum Voltage on any Pin	–	$V_{IN} + 0.3$ to -0.3	V	
Lead Temperature (Soldering, 10 Sec.)	–	+300	°C	
ESD Withstand Voltage	Human Body Model (Note 1.)	V_{ESD}	> 2000	V
Latch-Up Performance (Note 2.)	Positive Negative	$I_{LATCH-UP}$	> 500 > 500	mA

*Absolute Maximum Ratings indicate device operation limits beyond damage may occur. Device operation beyond the limits listed in Electrical Characteristics is not recommended.

1. Tested to EIA/JESD22-A114-A
2. Tested to EIA/JESD78

ELECTRICAL CHARACTERISTICS ($V_{IN} = V_{OUT} + 1.0$ V, $I_L = 0.1$ μ A, $C_L = 3.3$ μ F, $\overline{SHDN} > V_{IH}$, $T_A = 25^\circ$ C, unless otherwise noted. **Boldface** type specifications apply for junction temperatures of -40° C to $+125^\circ$ C.)

Characteristics	Test Conditions	Symbol	Min	Typ	Max	Unit
Input Operating Voltage	–	V_{IN}	–	–	6.0	V
Maximum Output Current	–	I_{OUTMAX}	300	–	–	mA
Output Voltage	Note 3.	V_{OUT}	– $V_R - 2.5\%$	$V_R \pm 0.5\%$ –	– $V_R + 2.5\%$	V
V_{OUT} Temperature Coefficient	Note 4.	$\Delta V_{OUT}/\Delta T$	–	40	–	ppm/°C
Line Regulation	$(V_R + 1.0$ V) $\leq V_{IN} \leq 6.0$ V	$\Delta V_{OUT}/\Delta V_{IN}$	–	0.05	0.35	%
Load Regulation	$I_L = 0.1$ mA to I_{OUTMAX}	$\Delta V_{OUT}/V_{OUT}$	–	0.5	2.0	%
Dropout Voltage	$I_L = 0.1$ mA $I_L = 100$ mA $I_L = 300$ mA Note 6.	$V_{IN} - V_{OUT}$	– – –	20 80 240	30 160 480	mV
Supply Current	$\overline{SHDN} = V_{IH}$	I_{SS1}	–	50	90	μ A
Shutdown Supply Current	$\overline{SHDN} = 0$ V	I_{SS2}	–	0.05	0.5	μ A
Power Supply Rejection Ratio	$F_{RE} \leq 1.0$ kHz	PSRR	–	60	–	dB
Output Short Circuit Current	$V_{OUT} = 0$ V	I_{OUTSC}	–	550	650	mA
Thermal Regulation	Note 7.	$\Delta V_{OUT}/\Delta P_D$	–	0.04	–	V/W
Output Noise	$F = 1.0$ kHz, $C_{OUT} = 1.0$ μ F, $R_{LOAD} = 50$ Ω	eN	–	260	–	nV/ $\sqrt{\text{Hz}}$

SHDN Input

\overline{SHDN} Input High Threshold	–	V_{IH}	45	–	–	% V_{IN}
\overline{SHDN} Input Low Threshold	–	V_{IL}	–	–	15	% V_{IN}

3. V_R is the regulator output voltage setting.
4. $T_C V_{OUT} = \frac{(V_{OUTMAX} - V_{OUTMIN}) \times 10^6}{V_{OUT} \times \Delta T}$
5. Regulation is measured at a constant junction temperature using low duty cycle pulse testing. Load regulation is tested over a load range from 0.1 mA to the maximum specified output current. Changes in output voltage due to heating effects are covered by the thermal regulation specification.
6. Dropout voltage is defined as the input to output differential at which the output voltage drops 2% below its nominal value measured at a 1.0 V differential.
7. Thermal Regulation is defined as the change in output voltage at a time T after a change in power dissipation is applied, excluding load or line regulation effects. Specifications are for a current pulse equal to I_{LMAX} at $V_{IN} = 6.0$ V for $T = 10$ msec.
8. The maximum allowable power dissipation is a function of ambient temperature, the maximum allowable junction temperature, and the thermal resistance from junction-to-air (i.e. T_A , T_J , θ_{JA}). Exceeding the maximum allowable power dissipation causes the device to initiate thermal shutdown. Please see *Thermal Considerations* section of this data sheet for more details.

NCP4569

DETAILED DESCRIPTION

The NCP4569 is a precision regulator available in fixed voltages. Unlike the bipolar regulators, the NCP4569 supply current does not increase with load current. In addition, V_{OUT} remains stable and within regulation at very low load

currents (an important consideration in RTC and CMOS RAM battery backup applications). NCP4569 pin functions are detailed below.

PIN DESCRIPTION

Pin Number	Symbol	Description
1	V_{OUT}	Regulated voltage output.
2	NC	No connect.
3	NC	No connect.
4	GND	Ground terminal.
5	Bypass	Reference bypass input. Connecting a 470 pF to this input further reduces output noise.
6	NC	No connect.
7	SHDN	Shutdown control input. The regulator is fully enabled when a logic high is applied to this input. The regulator enters shutdown when a logic low is applied to this input. During shutdown, output voltage falls to zero and supply current is reduced to 0.05 μ A (typical).
8	V_{IN}	Unregulated supply input.

Figure 2 shows a typical application circuit. The regulator is enabled any time the shutdown input (\overline{SHDN}) is at or above V_{IH} , and shutdown (disabled) when \overline{SHDN} is at or below V_{IL} . \overline{SHDN} may be controlled by a CMOS logic gate,

or I/O port of a microcontroller. If the \overline{SHDN} input is not required, it should be connected directly to the input supply. While in shutdown, supply current decreases to 0.05 μ A (typical), V_{OUT} falls to zero.

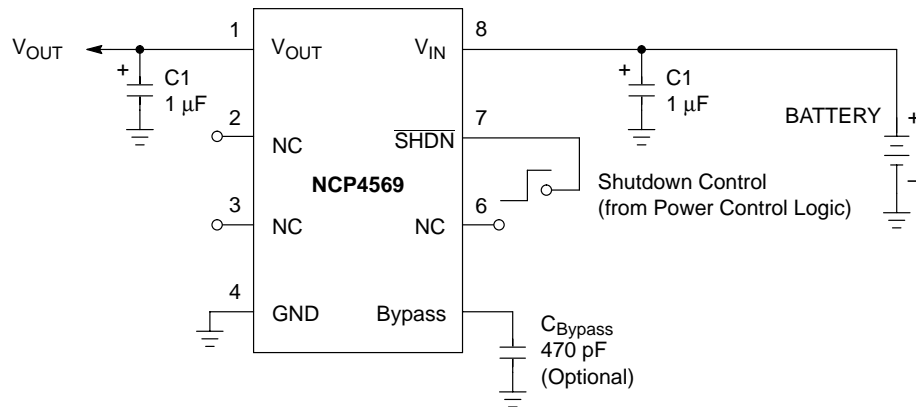


Figure 2. Typical Application Circuit

Bypass Input

A 470 pF capacitor connected from the Bypass input to ground reduces noise present on the internal reference, which in turn significantly reduces output noise. If output noise is not a concern, this input may be left unconnected. Larger capacitor values may be used, but results in a longer time period to rated output voltage when power is initially applied.

Output Capacitor

A 1.0 μ F (min) capacitor from V_{OUT} to ground is recommended. The output capacitor should have an effective series resistance of 5.0 Ω or less, and a resonant

frequency above 1.0 MHz. A 1.0 μ F capacitor should be connected from V_{IN} to GND if there is more than 10 inches of wire between the regulator and the AC filter capacitor, or if a battery is used as the power source. Aluminum electrolytic or tantalum capacitor types can be used. (Since many aluminum electrolytic capacitors freeze at approximately -30°C , solid tantalums are recommended for applications operating below -25°C .) When operating from sources other than batteries, supply-noise rejection and transient response can be improved by increasing the value of the input and output capacitors and employing passive filtering techniques.

Thermal Considerations

Thermal Shutdown

Integrated thermal protection circuitry shuts the regulator off when die temperature exceeds 150°C. The regulator remains off until the die temperature drops to approximately 140°C.

Power Dissipation

The amount of power the regulator dissipates is primarily a function of input and output voltage, and output current. The following equation is used to calculate worst case *actual* power dissipation:

$$P_D \approx (V_{INMAX} - V_{OUTMIN})I_{LOADMAX}$$

Where : P_D = worst case actual power dissipation
 V_{INMAX} = maximum voltage on V_{IN}
 V_{OUTMIN} = minimum regulator output voltage
 $I_{LOADMAX}$ = maximum output (load) current

(eq. 1)

The maximum *allowable* power dissipation (Equation 2) is a function of the maximum ambient temperature (T_{AMAX}), the maximum allowable die temperature (125°C), and the thermal resistance from junction-to-air (θ_{JA}). The Micro-8 package has a θ_{JA} of approximately **200°C/Watt**; both when mounted on a single layer FR4 dielectric copper clad PC board.

$$P_{DMAX} = \frac{(T_{JMAX} - T_{AMAX})}{\theta_{JA}}$$

Where all terms are previously defined. (eq. 2)

Equation 1 can be used in conjunction with Equation 2 to ensure regulator thermal operation is within limits. For example:

GIVEN : $V_{INMAX} = 3.0\text{ V} \pm 10\%$
 $V_{OUTMIN} = 2.7\text{ V} - 2.5\%$
 $I_{LOAD} = 250\text{ mA}$
 $T_{AMAX} = 55^\circ\text{C}$

Micro-8 Package

- FIND : 1. Actual power dissipation.
 2. Maximum allowable dissipation.

Actual power dissipation :

$$P_D \approx (V_{INMAX} - V_{OUTMIN})I_{LOADMAX}$$

$$= [(3.0 \times 1.1) - (2.7 \times .975)] 250 \times 10^{-3}$$

$$= \underline{167\text{ mW}}$$

Maximum allowable power dissipation :

$$P_{DMAX} = \frac{(T_{JMAX} - T_{AMAX})}{\theta_{JA}}$$

$$= \frac{(125 - 55)}{200}$$

$$= \underline{350\text{ mW}}$$

In this example, the NCP4569 dissipates a maximum of only 167 mW; far below the allowable limit of 350 mW. In a similar manner, Equation 1 and Equation 2 can be used to calculate maximum current and/or input voltage limits.

Layout Considerations

The primary path of heat conduction out of the package is via the package leads. Therefore, layouts having a ground plane, wide traces at the pads, and wide power supply bus lines combine to lower θ_{JA} and, therefore, increase the maximum allowable power dissipation limit.

TYPICAL CHARACTERISTICS

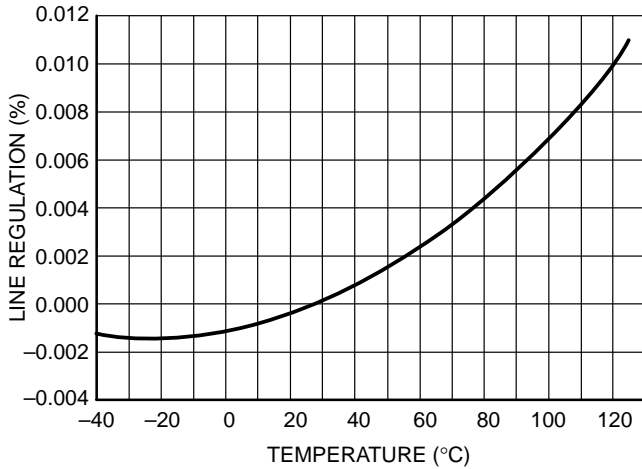


Figure 3. Line Regulation

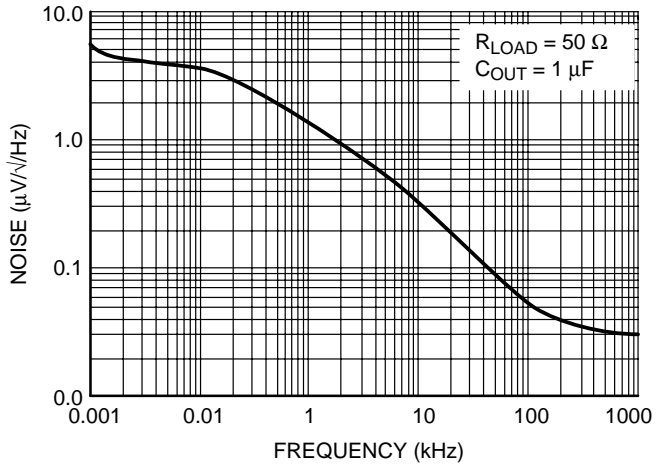


Figure 4. Output Noise

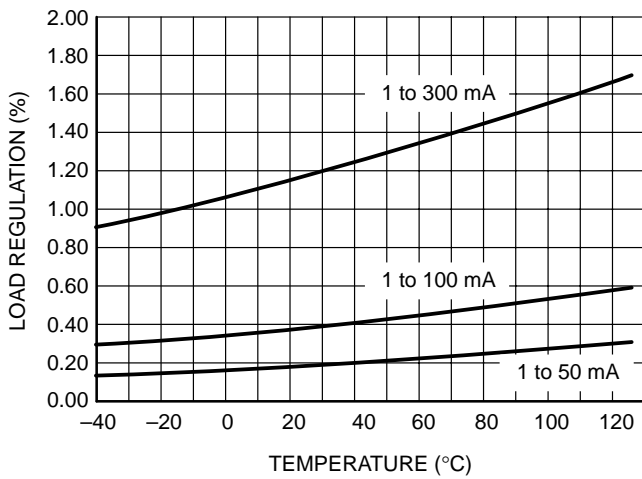


Figure 5. Load Regulation

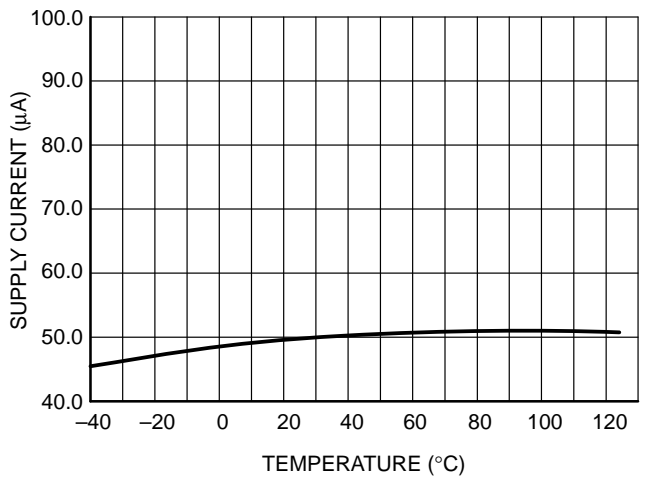


Figure 6. Supply Current

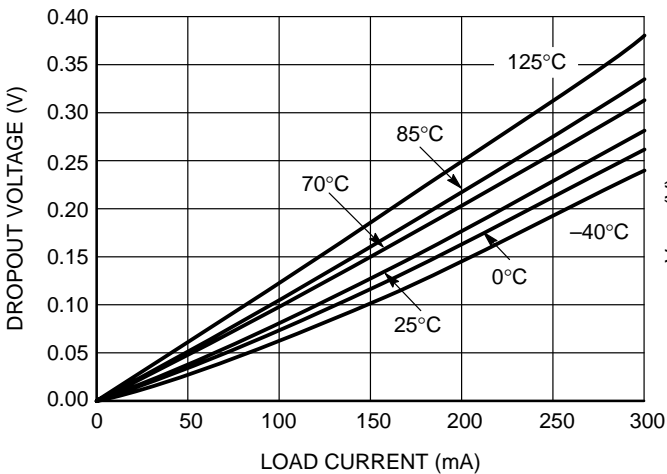


Figure 7. Dropout Voltage vs. Load Current

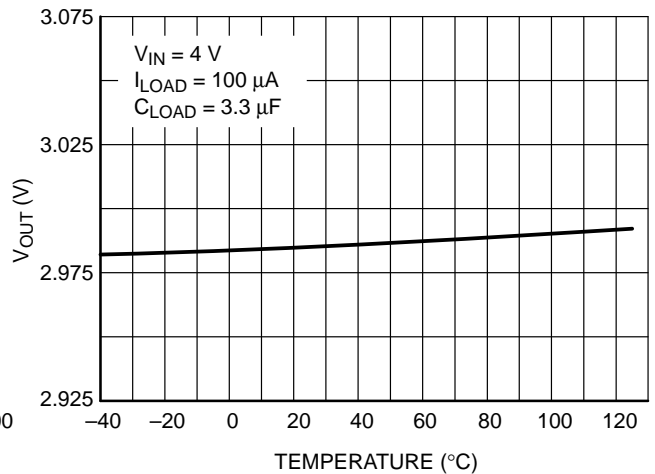


Figure 8. V_{OUT} vs. Temperature

NCP4569

TYPICAL CHARACTERISTICS

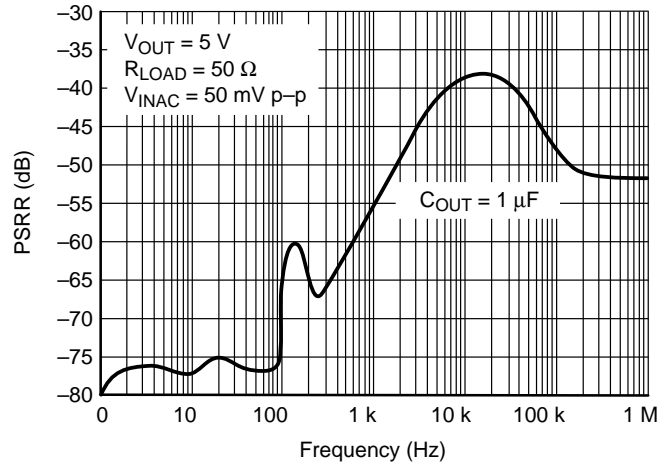
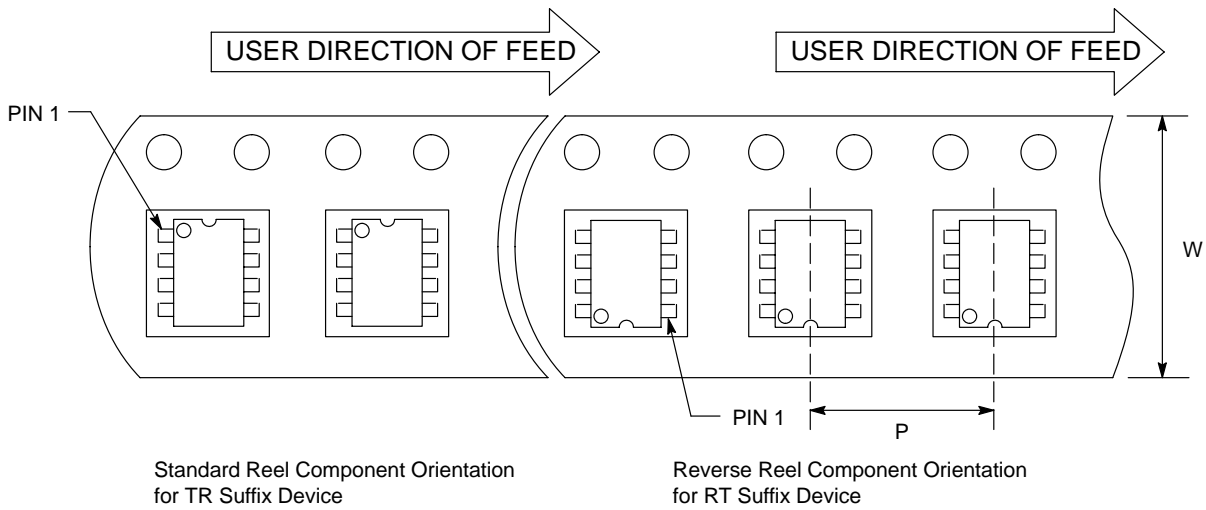


Figure 9. Power Supply Rejection Ratio

Component Taping Orientation for Micro-8 Devices



Carrier Tape, Number of Components Per Reel and Reel Size

Package	Carrier Width (W)	Pitch (P)	Part Per Full Reel	Reel Size
Micro-8	12 mm	8 mm	2500	13 inches

NCP4569

ORDERING INFORMATION

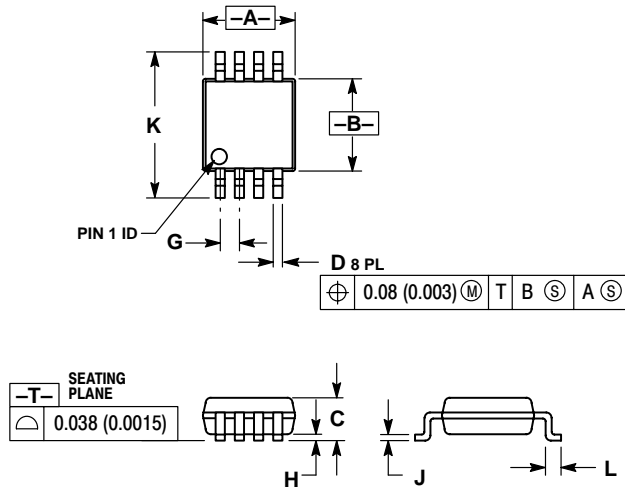
Device	Output Voltage (V)*	Package	Junction Temperature Range	Shipping
NCP4569DM25R2	2.5	Micro-8	-40°C to + 125°C	2500 Tape & Reel
NCP4569DM28R2	2.8			
NCP4569DM30R2	3.0			
NCP4569DM33R2	3.3			
NCP4569DM50R2	5.0			

*Other output voltages available. Please contact ON Semiconductor for details.

NCP4569

PACKAGE DIMENSIONS


MICRO-8
DM SUFFIX
CASE 846A-02
ISSUE E



NOTES:

1. DIMENSIONING AND TOLERANCING PER ANSI Y14.5M, 1982.
2. CONTROLLING DIMENSION: MILLIMETER.
3. DIMENSION A DOES NOT INCLUDE MOLD FLASH, PROTRUSIONS OR GATE BURRS. MOLD FLASH, PROTRUSIONS OR GATE BURRS SHALL NOT EXCEED 0.15 (0.006) PER SIDE.
4. DIMENSION B DOES NOT INCLUDE INTERLEAD FLASH OR PROTRUSION. INTERLEAD FLASH OR PROTRUSION SHALL NOT EXCEED 0.25 (0.010) PER SIDE.

DIM	MILLIMETERS		INCHES	
	MIN	MAX	MIN	MAX
A	2.90	3.10	0.114	0.122
B	2.90	3.10	0.114	0.122
C	---	1.10	---	0.043
D	0.25	0.40	0.010	0.016
G	0.65 BSC		0.026 BSC	
H	0.05	0.15	0.002	0.006
J	0.13	0.23	0.005	0.009
K	4.75	5.05	0.187	0.199
L	0.40	0.70	0.016	0.028

ON Semiconductor and  are trademarks of Semiconductor Components Industries, LLC (SCILLC). SCILLC reserves the right to make changes without further notice to any products herein. SCILLC makes no warranty, representation or guarantee regarding the suitability of its products for any particular purpose, nor does SCILLC assume any liability arising out of the application or use of any product or circuit, and specifically disclaims any and all liability, including without limitation special, consequential or incidental damages. "Typical" parameters which may be provided in SCILLC data sheets and/or specifications can and do vary in different applications and actual performance may vary over time. All operating parameters, including "Typicals" must be validated for each customer application by customer's technical experts. SCILLC does not convey any license under its patent rights nor the rights of others. SCILLC products are not designed, intended, or authorized for use as components in systems intended for surgical implant into the body, or other applications intended to support or sustain life, or for any other application in which the failure of the SCILLC product could create a situation where personal injury or death may occur. Should Buyer purchase or use SCILLC products for any such unintended or unauthorized application, Buyer shall indemnify and hold SCILLC and its officers, employees, subsidiaries, affiliates, and distributors harmless against all claims, costs, damages, and expenses, and reasonable attorney fees arising out of, directly or indirectly, any claim of personal injury or death associated with such unintended or unauthorized use, even if such claim alleges that SCILLC was negligent regarding the design or manufacture of the part. SCILLC is an Equal Opportunity/Affirmative Action Employer.

PUBLICATION ORDERING INFORMATION

NORTH AMERICA Literature Fulfillment:

Literature Distribution Center for ON Semiconductor
P.O. Box 5163, Denver, Colorado 80217 USA
Phone: 303-675-2175 or 800-344-3860 Toll Free USA/Canada
Fax: 303-675-2176 or 800-344-3867 Toll Free USA/Canada
Email: ONlit@hibbertco.com
Fax Response Line: 303-675-2167 or 800-344-3810 Toll Free USA/Canada

N. American Technical Support: 800-282-9855 Toll Free USA/Canada

EUROPE: LDC for ON Semiconductor – European Support

German Phone: (+1) 303-308-7140 (Mon-Fri 2:30pm to 7:00pm CET)
Email: ONlit-german@hibbertco.com
French Phone: (+1) 303-308-7141 (Mon-Fri 2:00pm to 7:00pm CET)
Email: ONlit-french@hibbertco.com
English Phone: (+1) 303-308-7142 (Mon-Fri 12:00pm to 5:00pm GMT)
Email: ONlit@hibbertco.com

EUROPEAN TOLL-FREE ACCESS*: 00-800-4422-3781

*Available from Germany, France, Italy, UK, Ireland

CENTRAL/SOUTH AMERICA:

Spanish Phone: 303-308-7143 (Mon-Fri 8:00am to 5:00pm MST)
Email: ONlit-spanish@hibbertco.com
Toll-Free from Mexico: Dial 01-800-288-2872 for Access –
then Dial 866-297-9322

ASIA/PACIFIC: LDC for ON Semiconductor – Asia Support

Phone: 303-675-2121 (Tue-Fri 9:00am to 1:00pm, Hong Kong Time)
Toll Free from Hong Kong & Singapore:
001-800-4422-3781
Email: ONlit-asia@hibbertco.com

JAPAN: ON Semiconductor, Japan Customer Focus Center

4-32-1 Nishi-Gotanda, Shinagawa-ku, Tokyo, Japan 141-0031
Phone: 81-3-5740-2700
Email: r14525@onsemi.com

ON Semiconductor Website: <http://onsemi.com>

For additional information, please contact your local Sales Representative.