

MC33463

Variable Frequency Micropower DC-to-DC Converter

The MC33463 series are micropower step-up switching voltage regulators, specifically designed for handheld and laptop applications, to provide regulated output voltages using a minimum of external parts. A wide choice of output voltages are available. These devices feature a very low quiescent bias current of 4.0 μ A typical.

The MC33463H-XXKT1 series features a highly accurate voltage reference, an oscillator, a variable frequency modulation (VFM) controller, a driver transistor (Lx), a comparator and feedback resistive divider.

The MC33463H-XXLT1 is identical to the MC33463H-XXKT1, except that a drive pin (EXT) for an external transistor is provided.

Due to the low bias current specifications, these devices are ideally suited for battery powered computer, consumer, and industrial equipment where an extension of useful battery life is desirable.

MC33463 Series Features:

- Low Quiescent Bias Current of 4.0 μ A
- High Output Voltage Accuracy of $\pm 2.5\%$
- Low Startup Voltage of 0.9 V at 1.0 mA
- Wide Output Voltage Range of 2.5 V to 7.5 V Available
- High Efficiency of 80% Typical
- Surface Mount Package

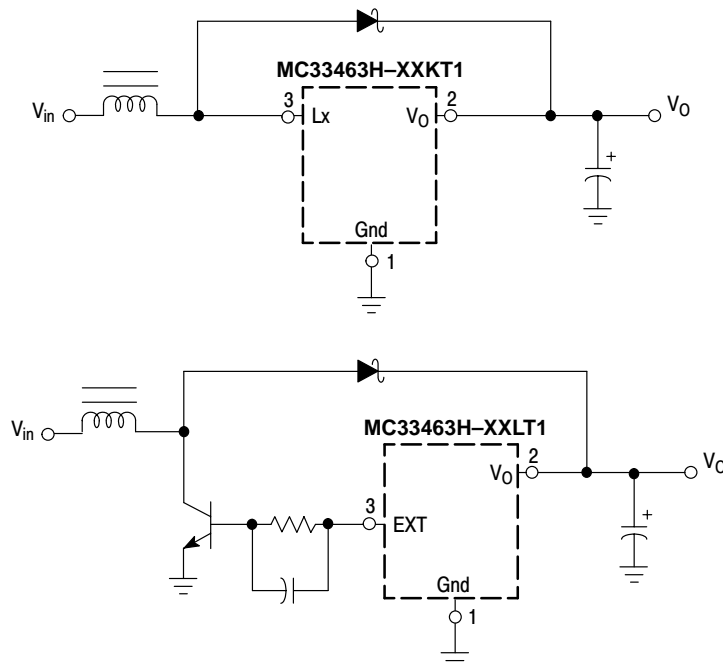
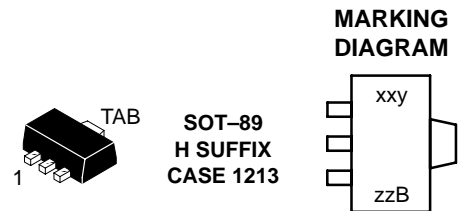


Figure 1. Typical Circuit Configurations for the MC33463H



ON Semiconductor™

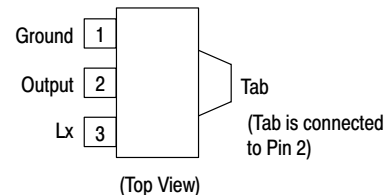
<http://onsemi.com>



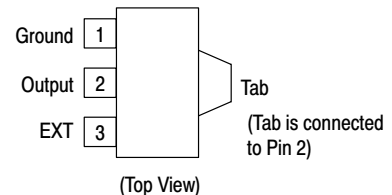
xx = Voltage Option (30, 33, 50)
 y = 1 = KT1, 2 = LT1
 zz = Lot Code
 B = Lot

PIN CONNECTIONS

MC33463H-XXKT1



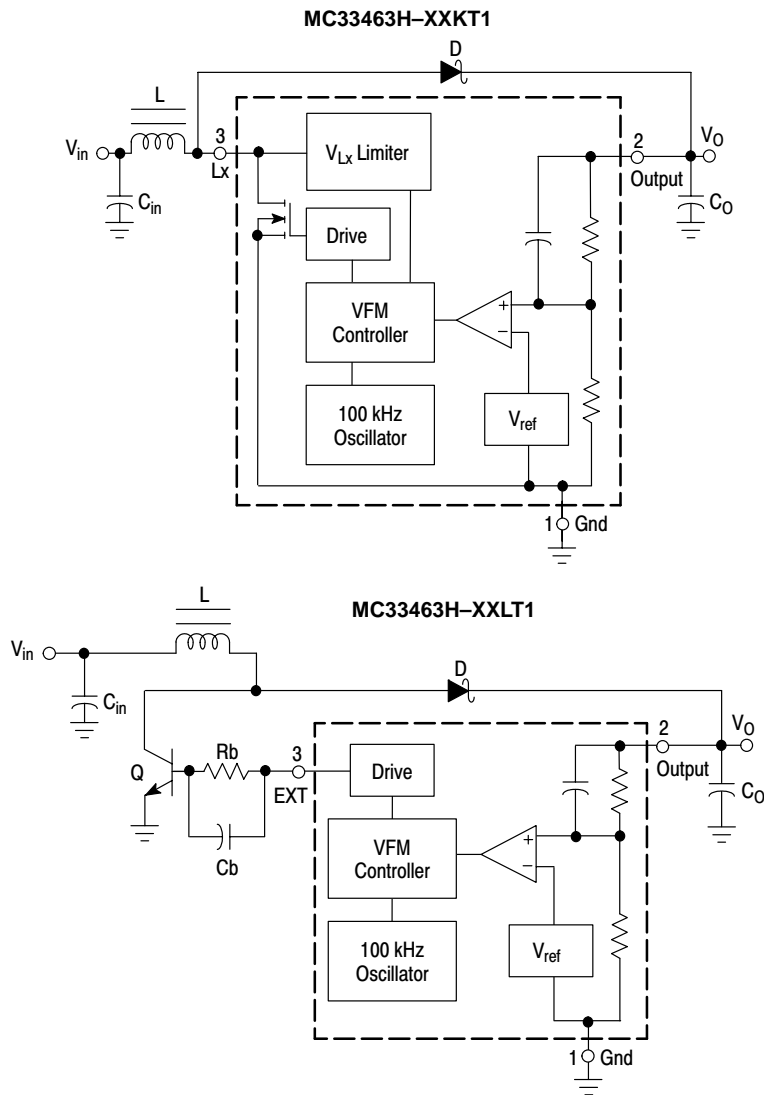
MC33463H-XXLT1



ORDERING INFORMATION

See detailed ordering and shipping information in the package dimensions section on page 1413 of this data sheet.

MC33463



XX Denotes Output Voltage

This device contains 100 active transistors.

Figure 2. Representative Block Diagrams

MAXIMUM RATINGS ($T_C = 25^\circ\text{C}$, unless otherwise noted.)

Rating	Symbol	Value	Unit
Power Supply Voltage (Transient)	V_{CC}	12	V
Power Supply Voltage (Operating)	V_{CC}	8.0	V
External Pin Voltage	V_{EXT}	-0.3 to V_O	V
Lx Pin Voltage	V_{Lx}	12	V
EXT Pin Source/Sink Current	I_{EXT}	± 50	mA
Lx Pin Sink Current	I_{Lx}	250	mA
Power Dissipation and Thermal Characteristics H Suffix, Plastic Package Case 1213 (SOT-89) Maximum Power Dissipation @ $T_A = 25^\circ\text{C}$ Thermal Resistance, Junction-to-Air	P_D $R_{\theta JA}$	500 200	mW $^\circ\text{C/W}$
Operating Junction Temperature	T_J	125	$^\circ\text{C}$
Operating Ambient Temperature	T_A	-30 to +80	$^\circ\text{C}$
Storage Temperature Range	T_{stg}	-40 to +125	$^\circ\text{C}$

MC33463

ELECTRICAL CHARACTERISTICS ($V_{CC} = 2.0\text{ V}$, $I_O = 10\text{ mA}$ and $T_A = 25^\circ\text{C}$, unless otherwise noted.)

Characteristic	Symbol	Min	Typ	Max	Unit
OSCILLATOR					
Maximum Oscillator Frequency	f_{osc}	80	100	120	kHz
Oscillator Minimum Supply Voltage ($I_O = 1.0\text{ mA}$) KT1 Suffix	V_{CC}	0.7	–	–	V
Oscillator Startup Voltage ($I_O = 1.0\text{ mA}$) KT1 Suffix	V_{CC}	–	0.8	0.9	V
Oscillator Startup Voltage ($I_O = 0\text{ mA}$) LT1 Suffix	V_{CC}	–	0.7	0.8	V
Maximum Oscillator Duty Cycle	D_{max}	65	75	85	%

Lx OUTPUT (KT1 SUFFIX)

ON State Sink Current ($V_{Lx} = 0.4\text{ V}$) 30KT1 Suffix 33KT1 Suffix 50KT1 Suffix	I_{Lx}	60 63 80	– – –	– – –	mA
V_{Lx} Voltage Limit (Note 1)	V_{LxLim}	0.65	0.8	1.0	V
OFF State Leakage Current ($V_{Lx} = 6.0\text{ V}$)	I_{LKG}	–	–	0.5	μA

EXT OUTPUT (LT1 SUFFIX)

ON State Source Current ($V_{EXT} = V_O - 0.4\text{ V}$) 30LT1 Suffix 33LT1 Suffix 50LT1 Suffix	I_{source}	1.5 1.575 2.0	– – –	– – –	mA
OFF State Sink Current ($V_{EXT} = 0.4\text{ V}$) 30LT1 Suffix 33LT1 Suffix 50LT1 Suffix	I_{sink}	1.5 1.575 2.0	– – –	– – –	mA

TOTAL DEVICE

Output Voltage 30KT1 or 30LT1 Suffix 33KT1 or 33LT1 Suffix 50KT1 or 50LT1 Suffix	V_O	2.925 3.218 4.875	3.0 3.3 5.0	3.075 3.383 5.125	V
Quiescent Bias Current ($I_O = 0\text{ mA}$) 30KT1 Suffix ($V_{in} = 1.8\text{ V}$) 33KT1 Suffix 50KT1 Suffix ($V_{in} = 3.0\text{ V}$) Quiescent Bias Current ($V_{in} = V_O + 0.5\text{ V}$, $I_O = 0\text{ mA}$) 30KT1 Suffix 33KT1 Suffix 50KT1 Suffix	I_Q	– – – – – – –	4.0 4.3 6.0 2.0 2.0 2.0	8.0 8.6 12 5.0 5.0 5.0	μA
Quiescent Bias Current ($I_O = 0\text{ mA}$) 30LT1 Suffix ($V_{in} = 1.8\text{ V}$) 33LT1 Suffix 50LT1 Suffix ($V_{in} = 3.0\text{ V}$) Quiescent Bias Current ($V_{in} = V_O + 0.5\text{ V}$, $I_O = 0\text{ mA}$) 30LT1 Suffix 33LT1 Suffix 50LT1 Suffix	I_Q	– – – – – – –	30 34.5 60 2.0 2.0 2.0	50 56 90 5.0 5.0 5.0	μA

- When the Lx switch is turned on, I_{Lx} carried through the $R_{DS(on)}$ of the Lx switch results in V_{Lx} . When V_{Lx} reaches V_{LxLim} , the Lx switch is turned off by the Lx switch protection circuit.

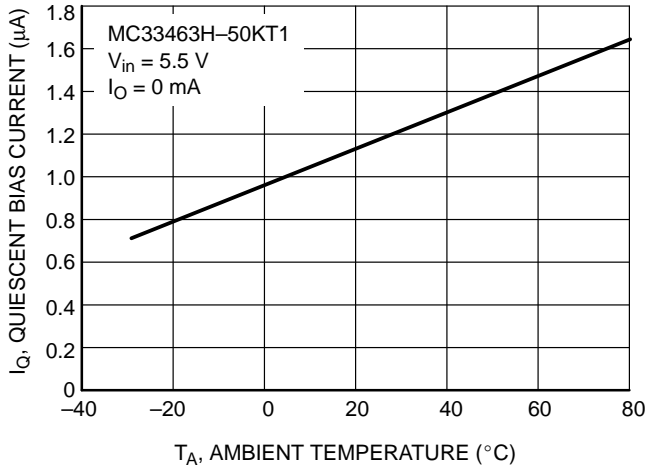


Figure 3. Quiescent Current versus Temperature

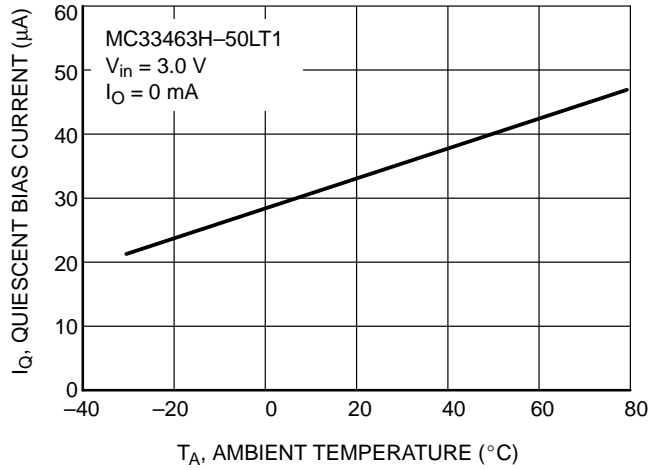


Figure 4. Quiescent Current versus Temperature

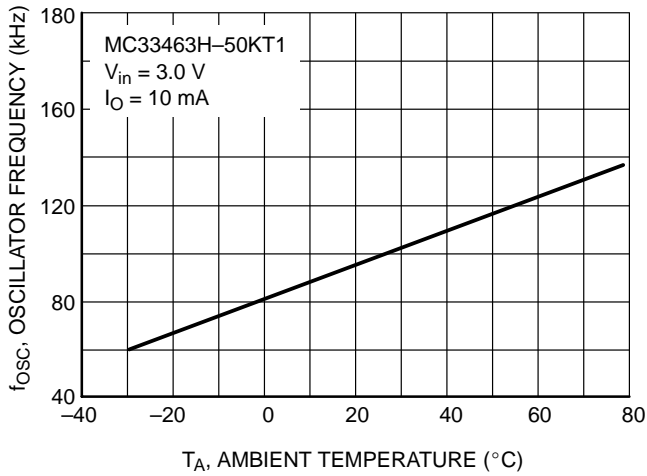


Figure 5. Oscillator Frequency versus Temperature

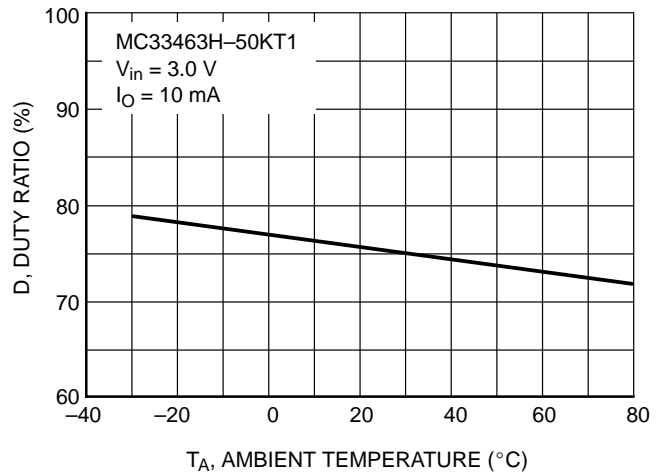


Figure 6. Oscillator Duty Ratio versus Temperature

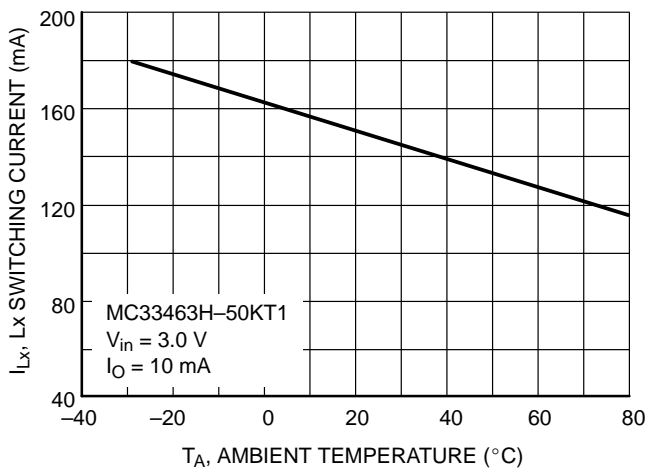


Figure 7. Lx Switching Current versus Temperature

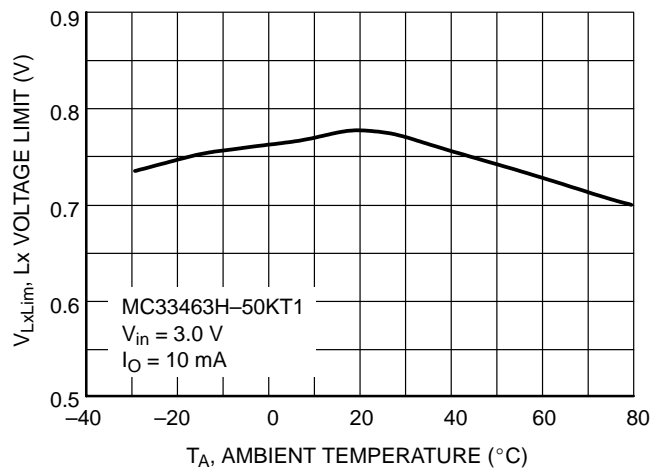


Figure 8. V_{Lx} Voltage Limit versus Temperature

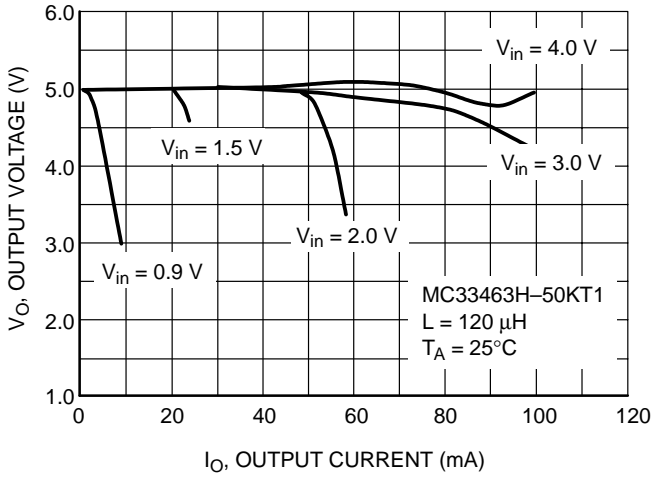


Figure 9. Output Voltage versus Output Current

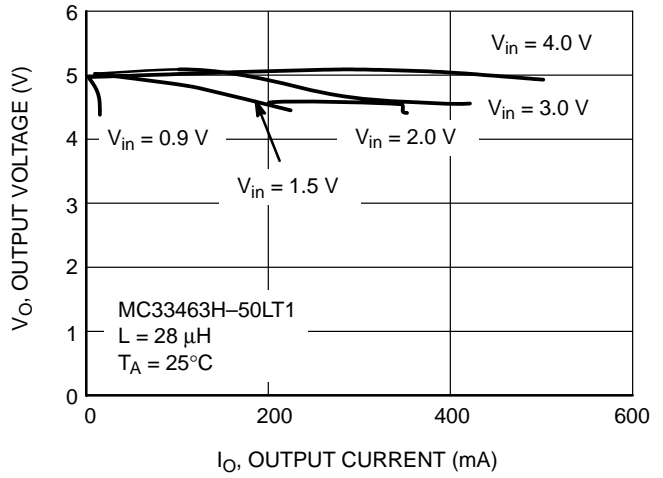


Figure 10. Output Voltage versus Output Current

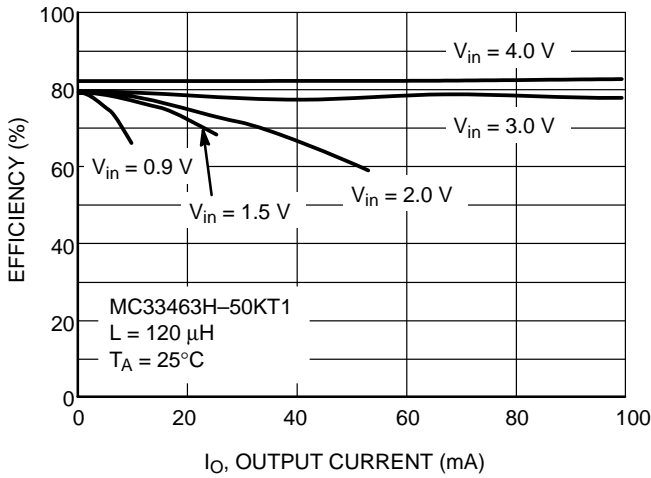


Figure 11. Efficiency versus Output Current

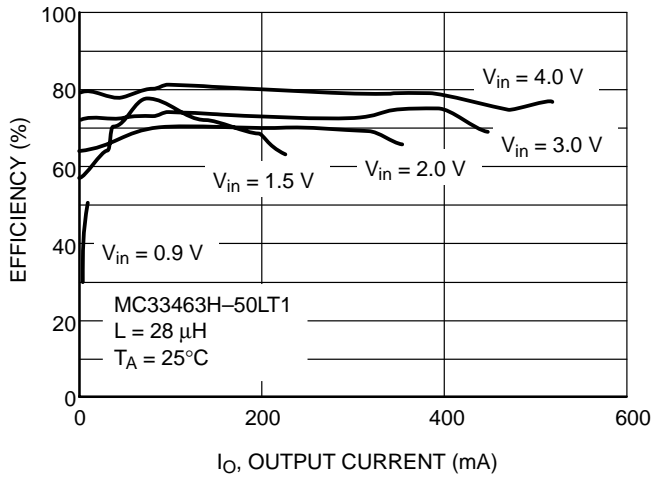


Figure 12. Efficiency versus Output Current

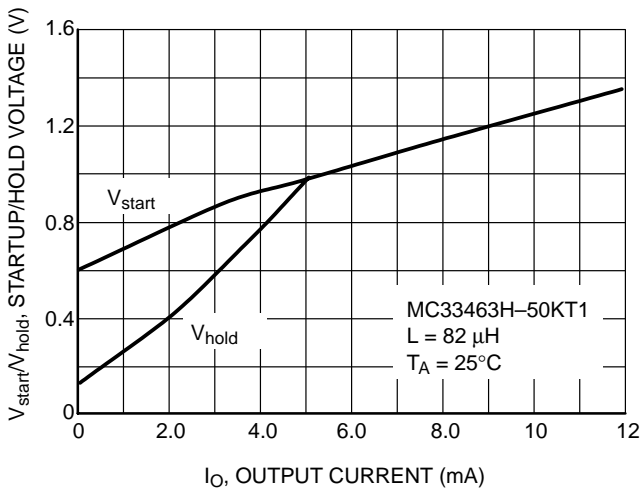


Figure 13. Startup/Hold Voltage versus Output Current

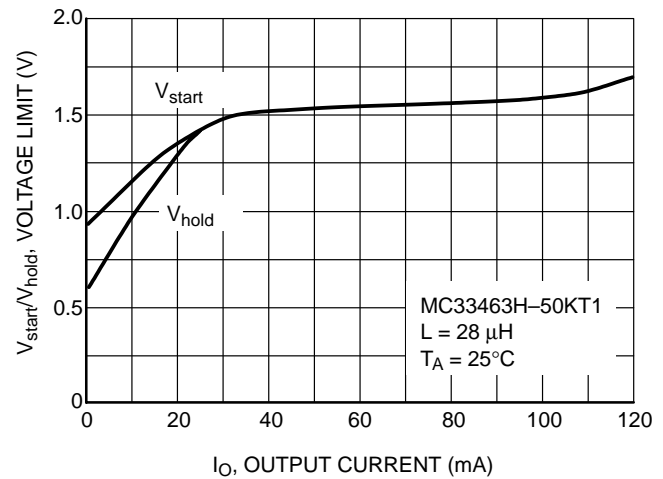


Figure 14. Startup/Hold Voltage versus Output Current

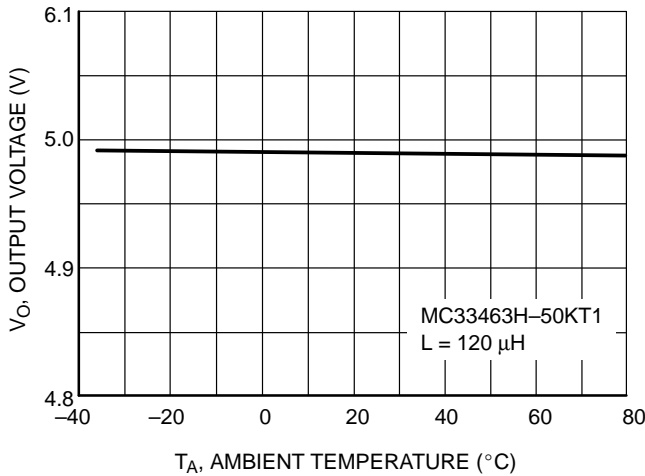


Figure 15. Output Voltage versus Temperature

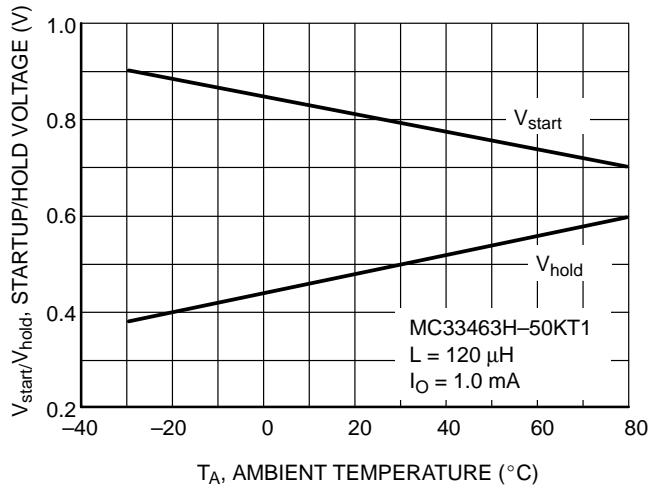


Figure 16. Startup/Hold Voltage versus Temperature

DEFINITIONS

Quiescent Bias Current – Current which is used to operate the switching regulator chip and is not delivered to the load.

Leakage Current – Current drawn through a transistor junction, under a specified collector voltage, when the transistor is off.

FUNCTIONAL DESCRIPTION

Introduction

The MC33463 series are monolithic power switching regulators optimized for dc-to-dc converter applications where power drain must be minimized. The combination of features in this series allows the system designer to directly implement step-up, step-down or flyback converters with a small number of external components. Potential applications include low power consumer products and battery powered portable products. Typical application circuits are shown in Figure 17 and Figure 18.

Operating Description

The MC33463 series converters each operate as a fixed on-time, variable off-time voltage mode ripple regulator. Operation is intended to be in the discontinuous mode, where the inductor current ramps up to a peak value which is greater than or equal to twice the value of the dc input current during the on-time of the transistor switch. During the off-time of the transistor switch, the inductor current ramps down to zero and remains at zero until another switching cycle begins.

Because the output voltage pin is also used as the supply voltage for powering internal circuitry, an external startup circuit is needed in step-down and flyback converter designs to provide initial power to the integrated circuit to begin switching. The startup circuit needed can be three

discrete components, as shown in Figure 19, or a micropower undervoltage sensor, as shown in Figure 20.

Oscillator

The maximum oscillator frequency, is internally programmed to 100 kHz. The duty ratio of the oscillator is designed for a constant value of 0.75 nominal. Hence the nominal on-time of the power switch is:

$$t_{on} = \frac{D}{f_{osc}} = \frac{0.75}{(100 \text{ kHz})} = 7.5 \mu\text{s}$$

Feedback Comparator

The output voltage is sensed and fed to a high speed comparator noninverting input through an internal resistive divider. The comparator inverting input is connected to an internally trimmed to 0.7 V reference.

With a voltage mode ripple converter operating under normal conditions, output switch conduction is initiated and terminated by the oscillator, off-time is controlled by the high speed voltage feedback comparator.

Driver and Output Switch

To aid in system design flexibility and conversion efficiency, two output driver options are provided. The MC33463H-XXKT1 converters have an internal drive transistor which is capable of sinking currents greater than 60 mA into the Lx pin. An internal V_{Lx} limiter circuit senses if the Lx pin voltage exceeds 1.0 V during t_{on} and turns off the drive transistor. The MC33463H-XXLT1 provides output drive for an external transistor.

Applications

The following converter applications show the simplicity and flexibility of the converter architecture. Three main converter topologies are demonstrated in Figures 17 through 21.

MC33463

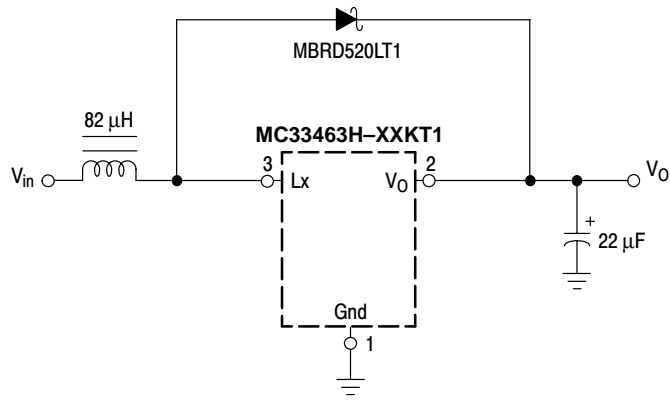


Figure 17. MC33463H-50KT1 Typical Step-Up Application

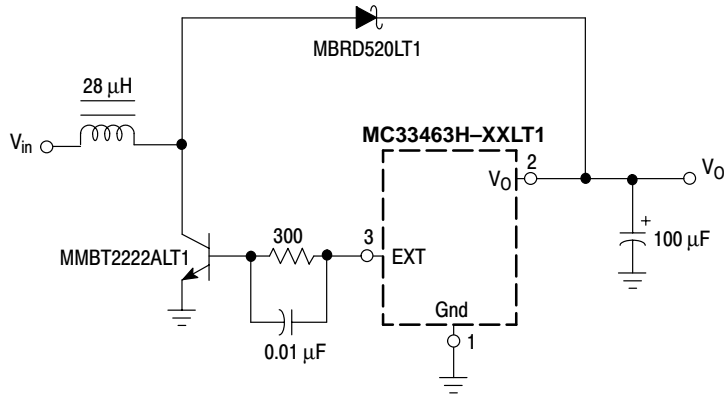


Figure 18. MC33463H-50LT1 Typical Step-Up Application

MC33463

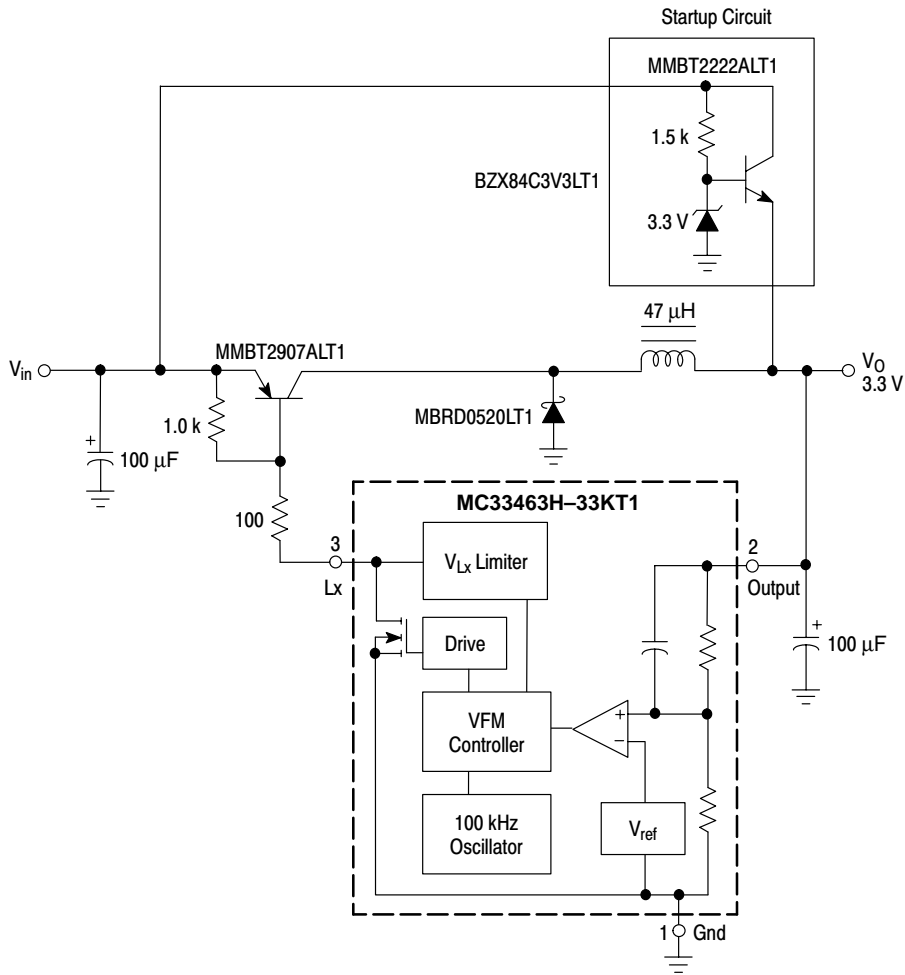


Figure 19. MC33463H-33KT1 Step-Down Application

Test	Conditions	Results
Line Regulation	$V_{in} = 5.0 \text{ V to } 8.0 \text{ V}$, $I_O = 100 \text{ mA}$	$18.5 \text{ mV} = \pm 0.3\%$
Load Regulation	$V_{in} = 5.0 \text{ V}$, $I_O = 1.0 \text{ mA to } 100 \text{ mA}$	$5.7 \text{ mV} = \pm 0.1\%$
Output Ripple	$V_{in} = 5.0 \text{ V}$, $I_O = 100 \text{ mA}$	40 mV_{pp}
Efficiency	$V_{in} = 5.0 \text{ V}$, $I_O = 100 \text{ mA}$	60.3%

MC33463

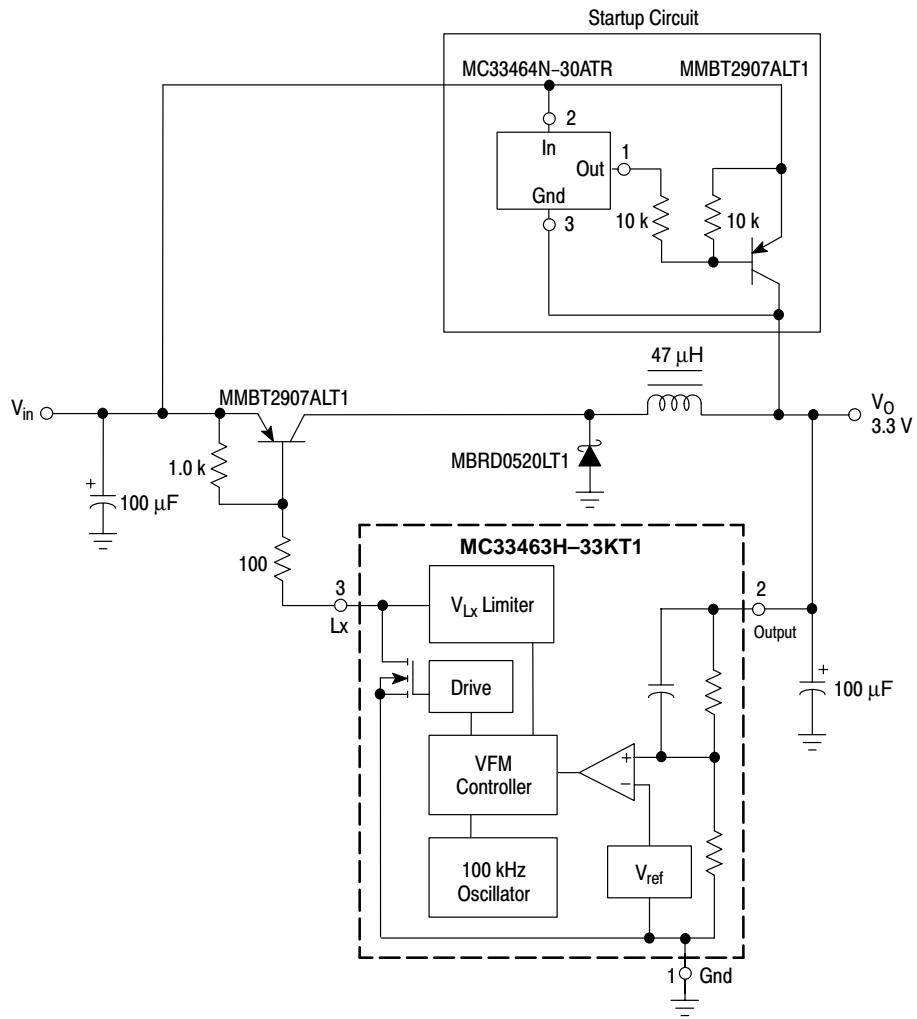


Figure 20. Micropower Step-Down Application

MC33463

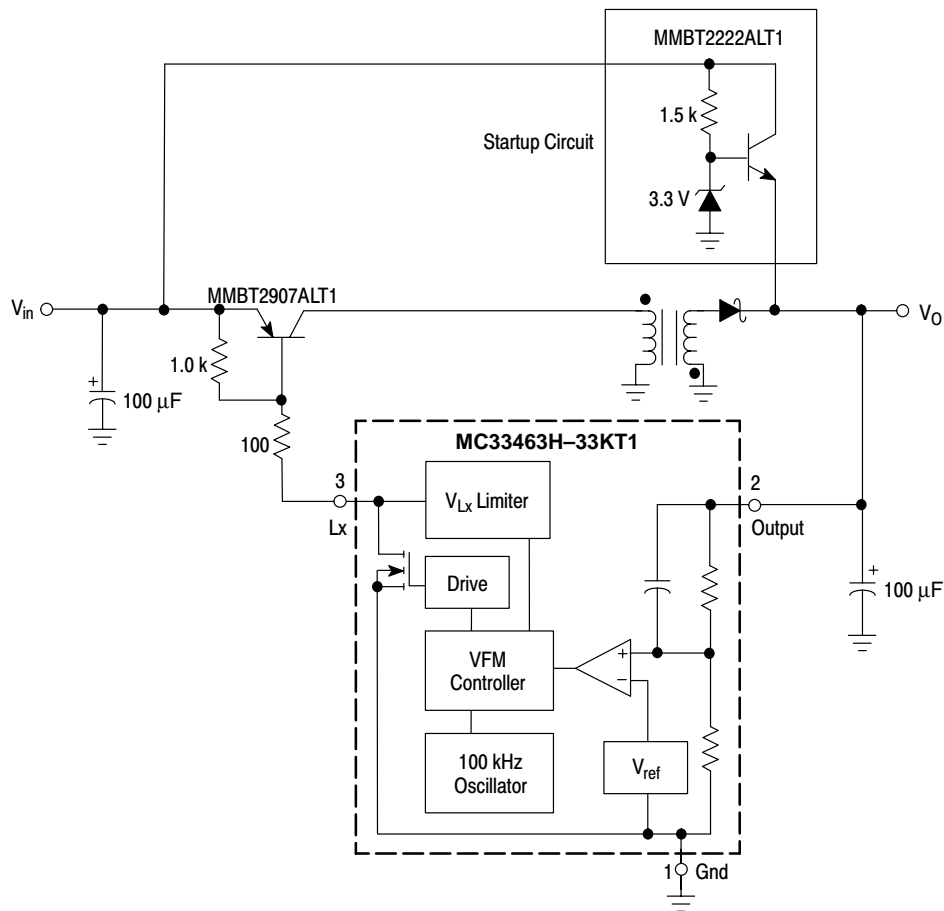


Figure 21. Flyback Application

Calculation	Step-Down	Step-Up	Flyback
t_{on}	$\frac{D}{f_{osc}}$	$\frac{D}{f_{osc}}$	$\frac{D}{f_{osc}}$
L	$< t_{on} \left[\frac{(V_{in} - V_{sat} - V_O)}{(2I_O)} \right]$	$< \frac{(n)(V_{in})^2(t_{on})}{P_O}$	$< \frac{(n)(V_{in})^2(t_{on})}{P_O}$
$I_{L(avg)}$	I_O	I_{in}	I_{in}
$I_{L(pk)}$	$\frac{(V_{in} - V_{sat} - V_O)(t_{on})}{L}$	$\frac{(V_{in} - V_{sat})(t_{on})}{L}$	$\frac{(V_{in} - V_{sat})(t_{on})}{L}$
$V_{ripple(pp)}$	$\Delta I_L \left[\left(\frac{1}{16f_{osc}C_O} \right)^2 + (ESR)^2 \right]^{1/2}$	$\approx \frac{(t_{on})(I_O)}{(C_O)}$	$\approx \frac{(t_{on})(I_O)}{(C_O)}$

The following converter design characteristics must be chosen:

V_{in} – Nominal Operating dc input voltage

V_O – Desired dc output voltage

I_O – Desired dc output current

$V_{ripple(pp)}$ – Desired peak-to-peak output ripple voltage. For best performance the ripple voltage should be kept to a low value since it will directly affect line and load regulation. Capacitor C_O should be a low equivalent series resistance (ESR) electrolytic designed for switching regulator applications.

- V_{sat} – Saturation voltage of the switching transistor.
- n – Estimated circuit efficiency.

Figure 22. Design Equations

MC33463

ORDERING INFORMATION

Device	Output Voltage	Type	Operating Temperature Range	Package	Shipping
MC33463H-30KT1	3.0	Int. Switch	$T_A = -30^\circ$ to $+80^\circ\text{C}$	SOT-89	1000 Tape & Reel
MC33463H-33KT1	3.3				
MC33463H-50KT1	5.0				
MC33463H-30LT1	3.0	Ext. Switch Drive			
MC33463H-33LT1	3.3				
MC33463H-50LT1	5.0				

Other voltages from 2.5 V to 7.5 V, in 0.1 V increments are available. Consult factory for information.