

# EMI4192

## Common Mode Filter with ESD Protection

### Functional Description

The EMI4192 is an integrated common mode filter providing both ESD protection and EMI filtering for high speed digital serial interfaces such as HDMI or MIPI D-PHY.

The EMI4192 provides protection for two differential data line pairs in a small RoHS-compliant WDFN10 package.

### Features

- Highly Integrated Common Mode Filter (CMF) with ESD Protection provides protection and EMI reduction for systems using High Speed Serial Data Lines with cost and space savings over discrete solutions
- Large Differential Mode Bandwidth with Cutoff Frequency > 2 GHz
- High Common Mode Stop Band Attenuation
- Provides ESD Protection to IEC61000-4-2 Level 4, ±15 kV Contact Discharge
- Low Channel Input Capacitance Provides Superior Impedance Matching Performance
- Low Profile Package with Small Footprint in WDFN10 2 x 2.5 mm Pb-Free Package
- These Devices are Pb-Free, Halogen Free/BFR Free and are RoHS Compliant

### Applications

- HDMI/DVI Display in Mobile Phones
- MIPI D-PHY (CSI-2, DSI, etc) in Mobile Phones and Digital Still Cameras

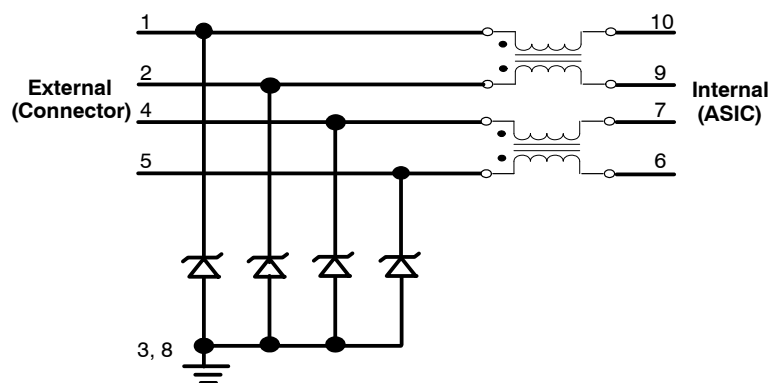
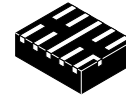


Figure 1. EMI4192 Electrical Schematic



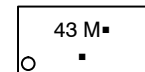
ON Semiconductor®

<http://onsemi.com>



WDFN10  
CASE 511BM

### MARKING DIAGRAMS



- 43 = Specific Device Code
- M = Date Code
- = Pb-Free Package

(\*Note: Microdot may be in either location)

### PIN CONNECTIONS

|       |   |    |        |
|-------|---|----|--------|
| In_1+ | 1 | 10 | Out_1+ |
| In_1- | 2 | 9  | Out_1- |
| GND   | 3 | 8  | GND    |
| In_2+ | 4 | 7  | Out_2+ |
| In_2- | 5 | 6  | Out_2- |

### ORDERING INFORMATION

| Device       | Package          | Shipping†        |
|--------------|------------------|------------------|
| EMI4192MTTAG | WDFN10 (Pb-Free) | 3000/Tape & Reel |

†For information on tape and reel specifications, including part orientation and tape sizes, please refer to our Tape and Reel Packaging Specifications Brochure, BRD8011/D.

# EMI4192

## PIN FUNCTION DESCRIPTION

| Pin Name       | Pin No. | Type | Description                 |
|----------------|---------|------|-----------------------------|
| In_1+          | 1       | I/O  | CMF Channel 1+ to Connector |
| In_1-          | 2       | I/O  | CMF Channel 1- to Connector |
| Out_1+         | 10      | I/O  | CMF Channel 1+ to ASIC      |
| Out_1-         | 9       | I/O  | CMF Channel 1- to ASIC      |
| In_2+          | 4       | I/O  | CMF Channel 2+ to Connector |
| In_2-          | 5       | I/O  | CMF Channel 2- to Connector |
| Out_2+         | 7       | I/O  | CMF Channel 2+ to ASIC      |
| Out_2-         | 6       | I/O  | CMF Channel 2- to ASIC      |
| V <sub>N</sub> | 3, 8    | GND  | Ground                      |

## ABSOLUTE MAXIMUM RATINGS (T<sub>A</sub> = 25°C unless otherwise noted)

| Parameter  | Symbol            | Value       | Unit |
|--|-------------------|-------------|------|
| Operating Temperature Range  | T <sub>OP</sub>   | -40 to +85  | °C   |
| Storage Temperature Range  | T <sub>STG</sub>  | -65 to +150 | °C   |
| ESD Discharge IEC61000-4-2 Contact Discharge                                       | V <sub>PP</sub>   | ±15         | kV   |
| Maximum Lead Temperature for Soldering Purposes<br>(1/8" from Case for 10 seconds) | T <sub>L</sub>    | 260         | °C   |
| DC Current per Line  | I <sub>LINE</sub> | 100         | mA   |

Stresses exceeding Maximum Ratings may damage the device. Maximum Ratings are stress ratings only. Functional operation above the Recommended Operating Conditions is not implied. Extended exposure to stresses above the Recommended Operating Conditions may affect device reliability.

## ELECTRICAL CHARACTERISTICS (T<sub>A</sub> = 25°C unless otherwise noted)

| Symbol             | Parameter   | Test Conditions  | Min | Typ                   | Max | Unit             |
|--------------------|---|--|-----|-----------------------|-----|------------------|
| I <sub>LEAK</sub>  | Channel Leakage Current   | T <sub>A</sub> = 25°C, V <sub>IN</sub> = 5 V, GND = 0 V  |     |                       | 1.0 | μA               |
| V <sub>F</sub>     | Channel Negative Voltage  | T <sub>A</sub> = 25°C, I <sub>F</sub> = 10 mA  | 0.1 |                       | 1.5 | V                |
| C <sub>IN</sub>    | Channel Input Capacitance to Ground<br>(Pins 1, 2, 4, 5 to Pins 3, 8)   | T <sub>A</sub> = 25°C, At 1 MHz, GND = 0 V,<br>V <sub>IN</sub> = 1.65 V  |     | 0.8                   | 1.3 | pF               |
| R <sub>CH</sub>    | Channel Resistance<br>(Pins 1-10, 2-9, 4-7 and 5-6)   |  |     | 3.5                   | 5.0 | Ω                |
| f <sub>3dB</sub>   | Differential Mode Cut-off Frequency   | 50 Ω Source and Load Termination   | 4.0 |                       |     | GHz              |
| F <sub>atten</sub> | Common Mode Stop Band Attenuation   | @ 900 MHz  |     | 16                    |     | dB               |
| Z <sub>C</sub>     | Common Mode Impedance   | @ 100 MHz  |     | 32                    |     | Ω                |
| V <sub>ESD</sub>   | ESD Protection – Peak Discharge<br>Voltage at any channel input, in system:<br>Contact discharge per<br>IEC61000-4-2 standard | T <sub>A</sub> = 25°C<br>(Notes 1 and 2)<br>Pins 1, 2, 4, 5  | ±15 |                       |     | kV               |
| V <sub>CL</sub>    | TLP Clamping Voltage<br>(See Figure 9)  | Forward I <sub>PP</sub> = 8 A<br>Forward I <sub>PP</sub> = 16 A<br>Forward I <sub>PP</sub> = -8 A<br>Forward I <sub>PP</sub> = -16 A |     | 12<br>18<br>-6<br>-12 |     | V<br>V<br>V<br>V |
| R <sub>DYN</sub>   | Dynamic Resistance<br>Positive Transients<br>Negative Transients  | T <sub>A</sub> = 25°C, I <sub>PP</sub> = 1 A, t <sub>p</sub> = 8/20 μs<br>Any I/O pin to Ground;<br>Notes 1 and 3                    |     | 1.36<br>0.6           |     |                  |
| V <sub>RWM</sub>   | Reverse Working Voltage   | (Note 3)   |     |                       | 5.0 | V                |
| V <sub>BR</sub>    | Breakdown Voltage   | I <sub>T</sub> = 1 mA; (Note 4)  | 5.6 |                       | 9.0 | V                |

- Standard IEC61000-4-2 with C<sub>Discharge</sub> = 150 pF, R<sub>Discharge</sub> = 330, GND grounded.
- These measurements performed with no external capacitor.
- TVS devices are normally selected according to the working peak reverse voltage (V<sub>RWM</sub>), which should be equal to or greater than the DC or continuous peak operating voltage level.
- V<sub>BR</sub> is measured at pulse test current I<sub>T</sub>.

# EMI4192

## TYPICAL CHARACTERISTICS

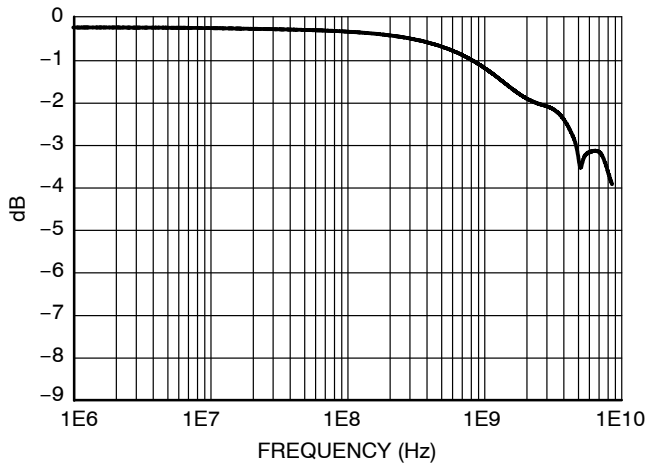


Figure 2. Differential Mode Attenuation vs. Frequency

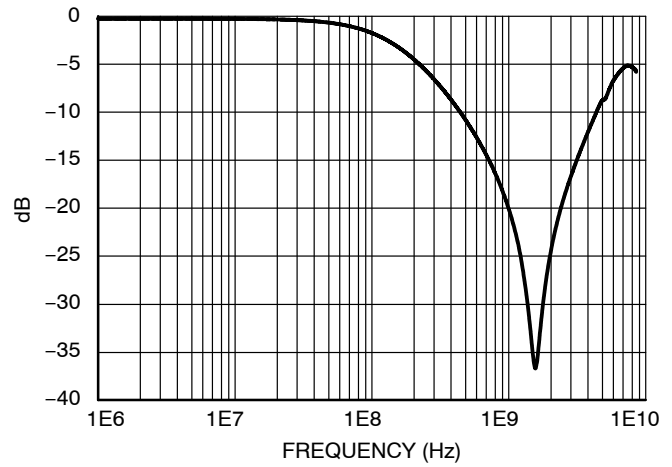


Figure 3. Common Mode Attenuation vs. Frequency

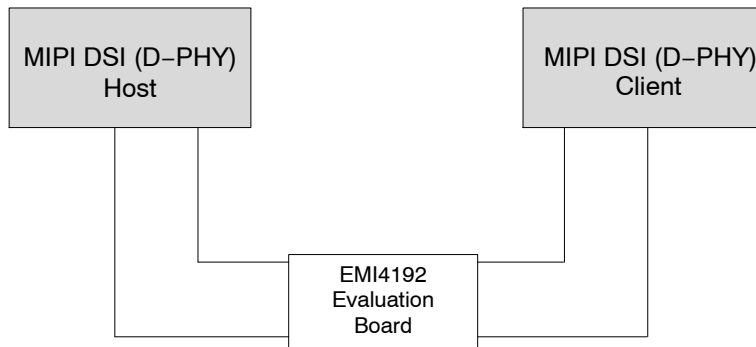


Figure 4. MIPI D-PHY LP Mode Test Setup

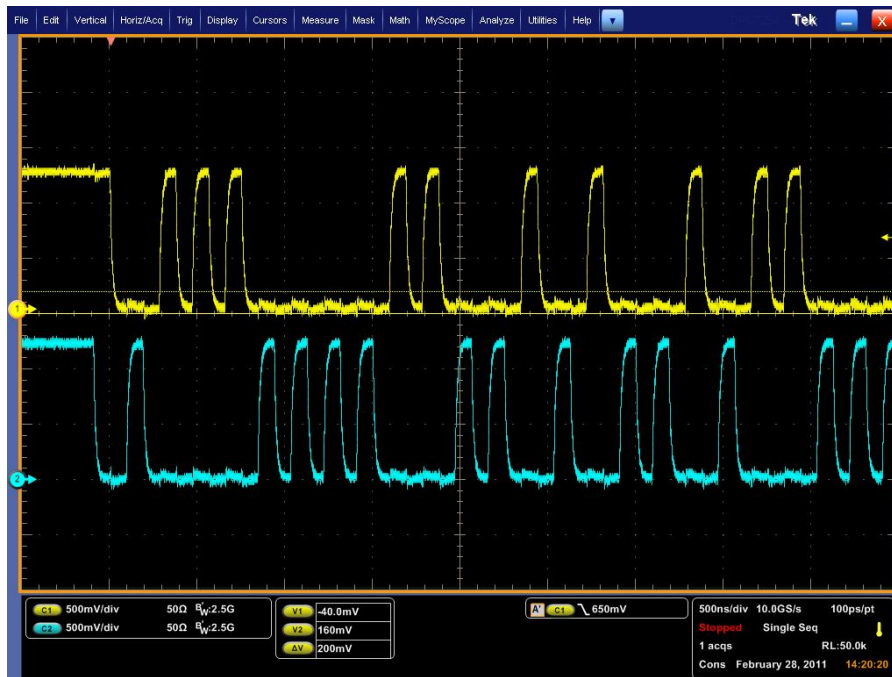


Figure 5. EMI4192 MIPI D-PHY LP Mode Measured Results

# EMI4192

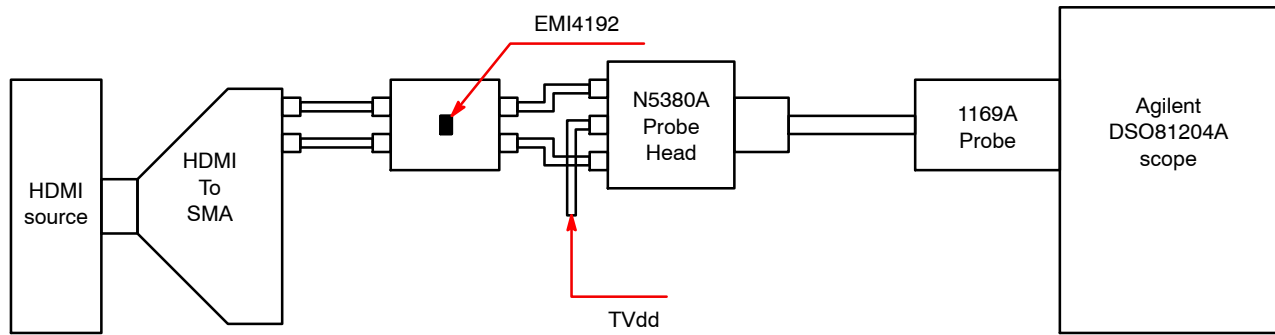


Figure 6. EMI4182 Eye Diagram Test Setup

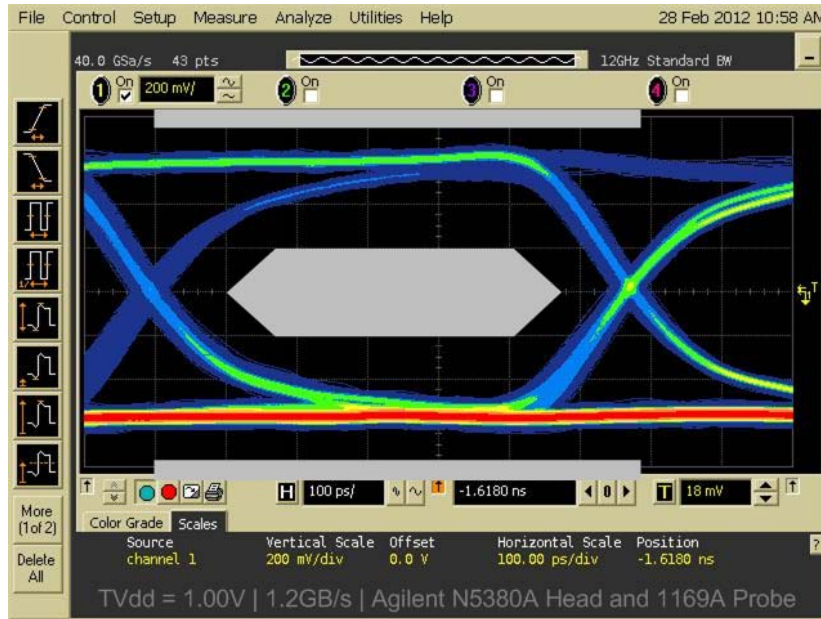


Figure 7. EMI4192 Measured Eye Diagram

Transmission Line Pulse (TLP) Measurements

Transmission Line Pulse (TLP) provides current versus voltage (I-V) curves in which each data point is obtained from a 100 ns long rectangular pulse from a charged transmission line. A simplified schematic of a typical TLP system is shown in Figure 8. TLP I-V curves of ESD protection devices accurately demonstrate the product’s ESD capability because the 10 s of amps current levels and under 100 ns time scale match those of an ESD event. This is illustrated in Figure 9 where an 8 kV IEC61000-4-2 current waveform is compared with TLP current pulses at 8 and 16 A. A TLP curve shows the voltage at which the device turns on as well as how well the device clamps voltage over a range of current levels. Typical TLP I-V curves for the EMI4192 are shown in Figure 10.

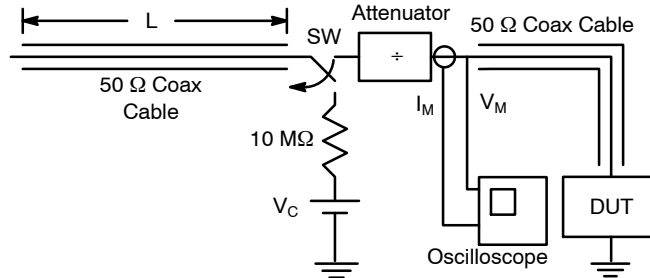


Figure 8. Simplified Schematic of a Typical TLP System

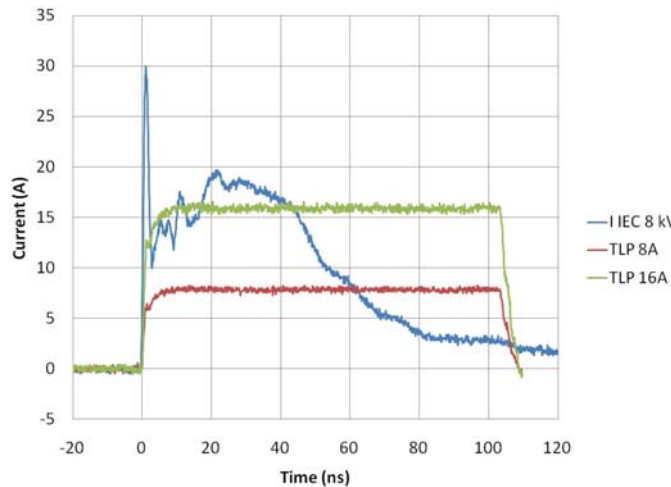


Figure 9. Comparison Between 8 kV IEC61000-4-2 and 8 A and 16 A TLP Waveforms

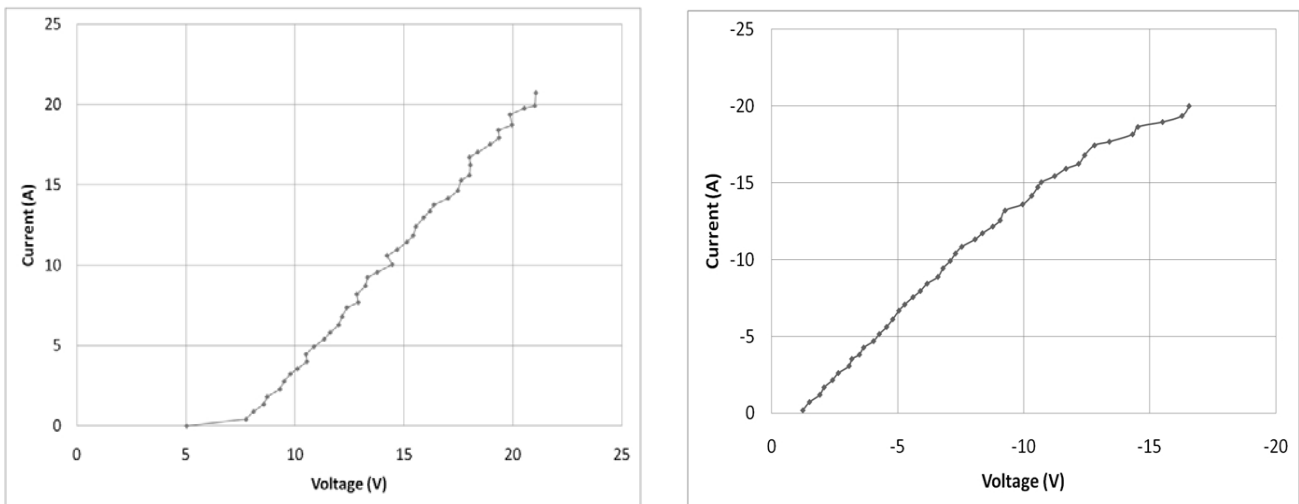


Figure 10. Positive and Negative TLP Waveforms

ESD Voltage Clamping

For sensitive circuit elements it is important to limit the voltage that an IC will be exposed to during an ESD event to as low a voltage as possible. The ESD clamping voltage is the voltage drop across the ESD protection diode during an ESD event per the IEC61000-4-2 waveform. Since the IEC61000-4-2 was written as a pass/fail spec for larger systems such as cell phones or laptop computers it is not clearly defined in the spec how to specify a clamping voltage at the device level. ON Semiconductor has developed a way to examine the entire voltage waveform across the ESD protection diode over the time domain of an ESD pulse in the form of an oscilloscope screenshot, which can be found on the datasheets for all ESD protection diodes. For more information on how ON Semiconductor creates these screenshots and how to interpret them please refer to On Semiconductor Application Notes AND8307/D and AND8308/D.

IEC61000-4-2 Spec.

| Level | Test Voltage (kV) | First Peak Current (A) | Current at 30 ns (A) | Current at 60 ns (A) |
|-------|-------------------|------------------------|----------------------|----------------------|
| 1     | 2                 | 7.5                    | 4                    | 2                    |
| 2     | 4                 | 15                     | 8                    | 4                    |
| 3     | 6                 | 22.5                   | 12                   | 6                    |
| 4     | 8                 | 30                     | 16                   | 8                    |

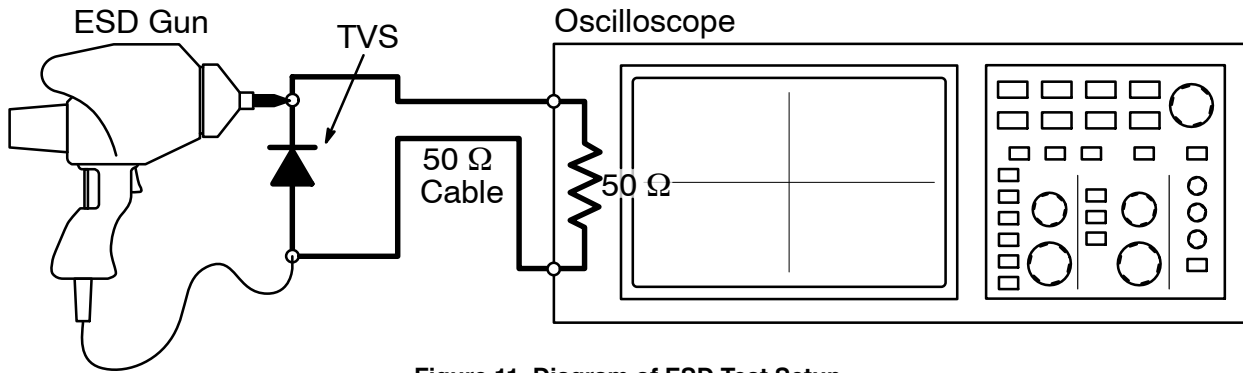
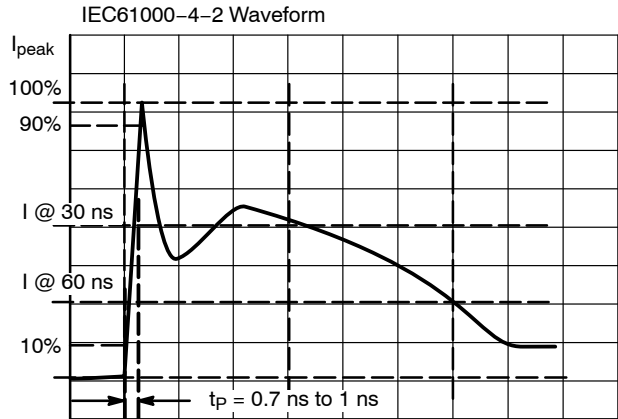


Figure 11. Diagram of ESD Test Setup

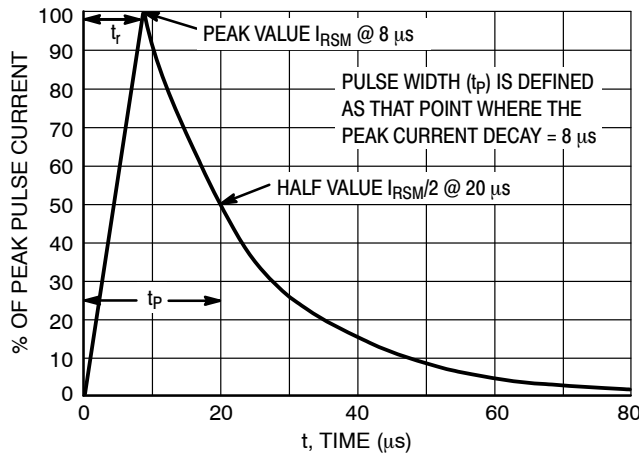


Figure 12. 8 x 20  $\mu s$  Pulse Waveform

# EMI4192

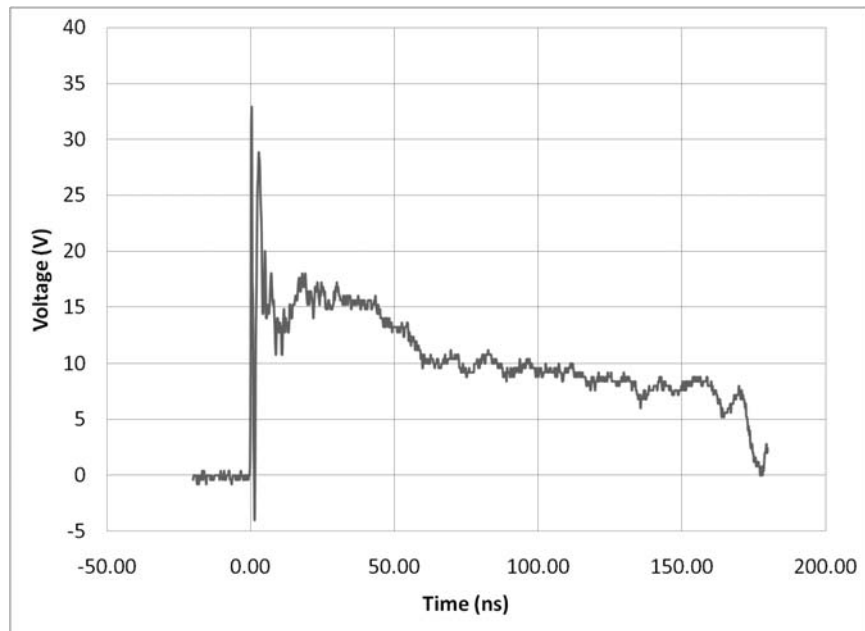


Figure 13. ESD Clamping Voltage +8 kV per IEC6100-4-2 (external to internal pin)

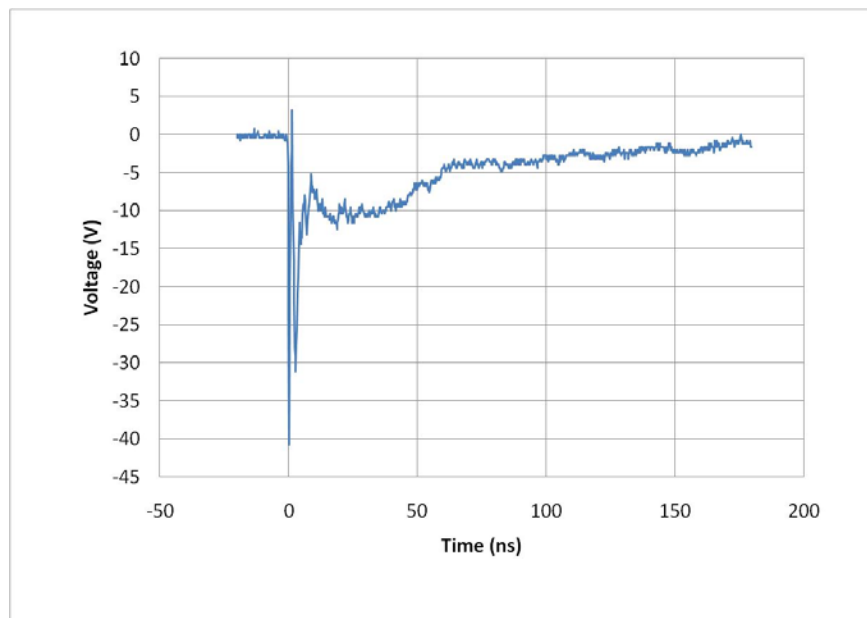


Figure 14. ESD Clamping Voltage -8 kV per IEC6100-4-2 (external to internal pin)

# EMI4192

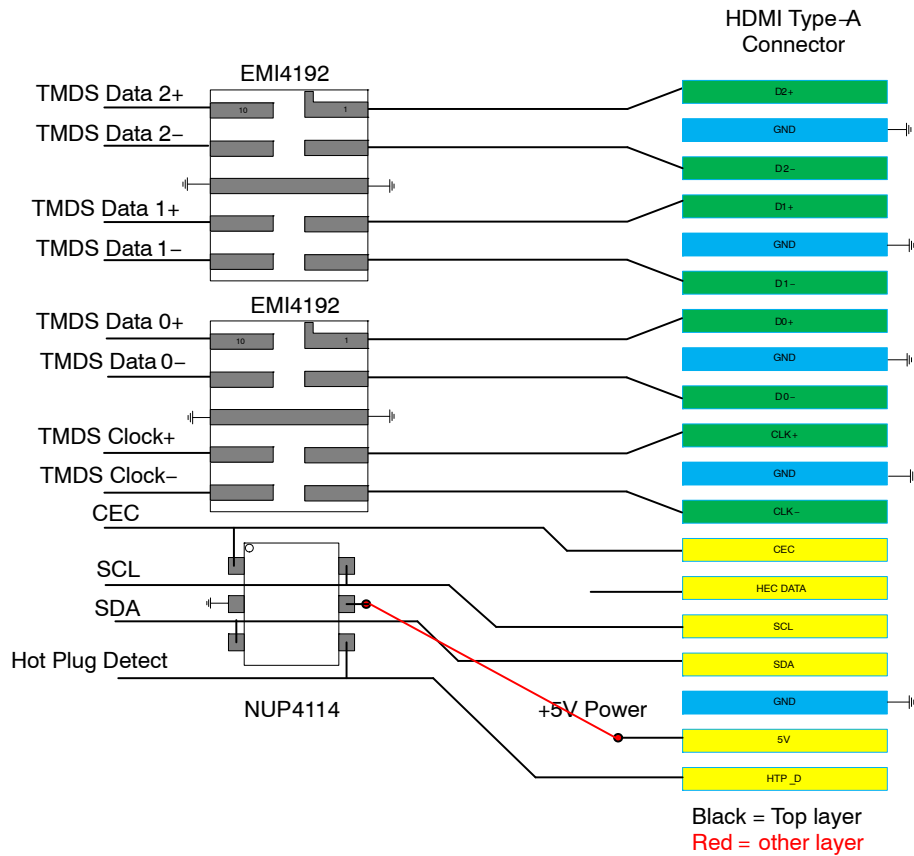


Figure 15. EMI4192 HDMI Type – A Connector Application Diagram

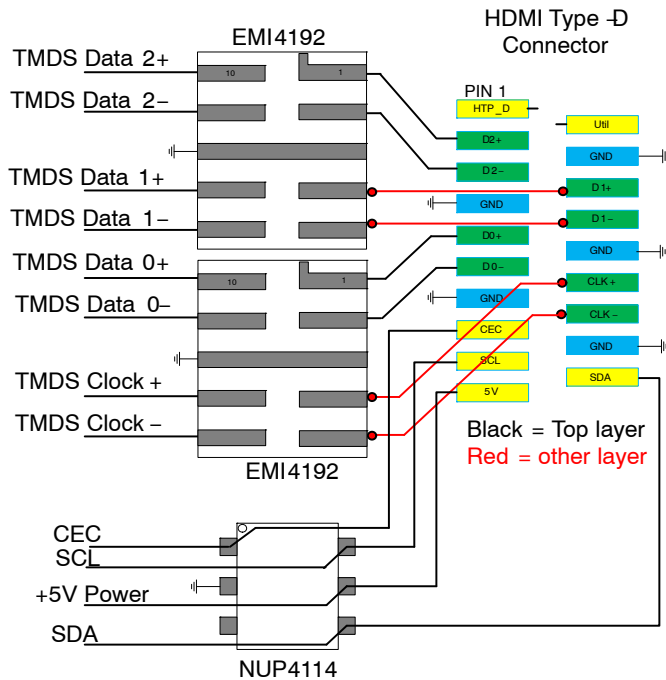


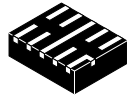
Figure 16. EMI4192 HDMI Type – D Connector Application Diagram



# MECHANICAL CASE OUTLINE

## PACKAGE DIMENSIONS

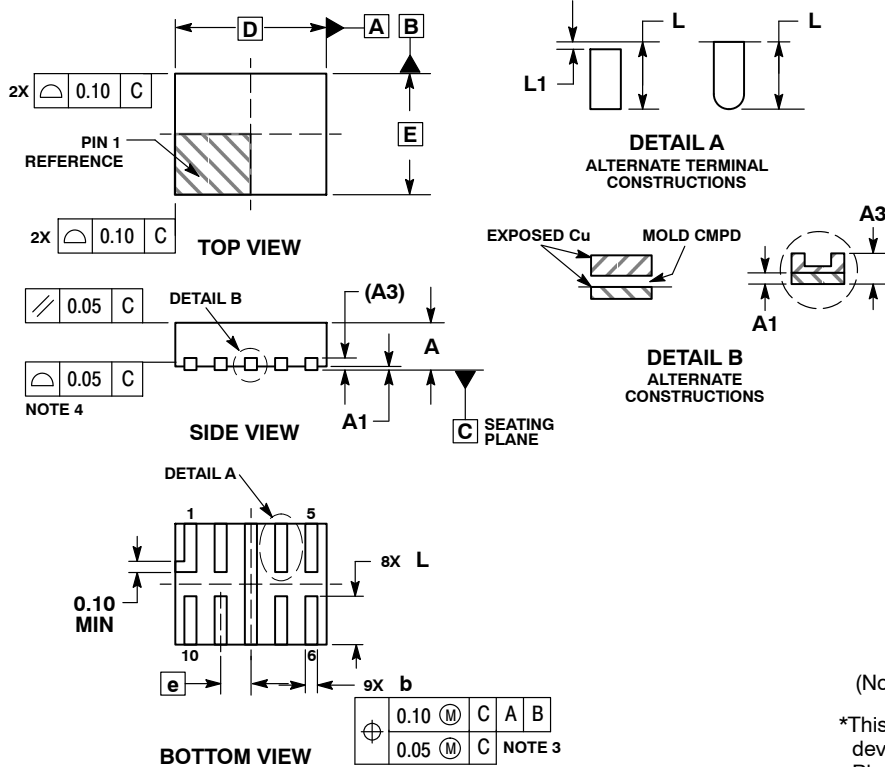
ON Semiconductor®



SCALE 4:1

**WDFN10 2.5x2, 0.5P**  
CASE 511BM-01  
ISSUE O

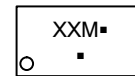
DATE 29 JUN 2010



- NOTES:
1. DIMENSIONING AND TOLERANCING PER ASME Y14.5M, 1994.
  2. CONTROLLING DIMENSION: MILLIMETERS.
  3. DIMENSIONS b APPLIES TO PLATED TERMINAL AND IS MEASURED BETWEEN 0.15 AND 0.30 MM FROM TERMINAL TIP.
  4. COPLANARITY APPLIES TO THE EXPOSED PAD AS WELL AS THE TERMINALS.

| DIM | MILLIMETERS |      |
|-----|-------------|------|
|     | MIN         | MAX  |
| A   | 0.70        | 0.80 |
| A1  | 0.00        | 0.05 |
| A3  | 0.20        | REF  |
| b   | 0.15        | 0.25 |
| D   | 2.50        | BSC  |
| E   | 2.00        | BSC  |
| e   | 0.50        | BSC  |
| L   | 0.70        | 0.90 |
| L1  | 0.05        | 0.15 |

### GENERIC MARKING DIAGRAM\*

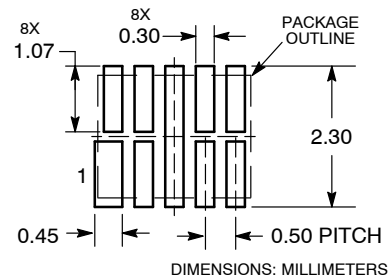


- XX = Specific Device Code
- M = Date Code
- = Pb-Free Package

(Note: Microdot may be in either location)

\*This information is generic. Please refer to device data sheet for actual part marking. Pb-Free indicator, "G" or microdot "▪", may or may not be present.

### RECOMMENDED MOUNTING FOOTPRINT



|                         |                           |  |
|-------------------------|---------------------------|--|
| <b>DOCUMENT NUMBER:</b> | <b>98AON52152E</b>        | Electronic versions are uncontrolled except when accessed directly from the Document Repository. Printed versions are uncontrolled except when stamped "CONTROLLED COPY" in red. |
| <b>DESCRIPTION:</b>     | <b>WDFN10 2.5X2, 0.5P</b> | <b>PAGE 1 OF 1</b>   |

ON Semiconductor and ON are trademarks of Semiconductor Components Industries, LLC dba ON Semiconductor or its subsidiaries in the United States and/or other countries. ON Semiconductor reserves the right to make changes without further notice to any products herein. ON Semiconductor makes no warranty, representation or guarantee regarding the suitability of its products for any particular purpose, nor does ON Semiconductor assume any liability arising out of the application or use of any product or circuit, and specifically disclaims any and all liability, including without limitation special, consequential or incidental damages. ON Semiconductor does not convey any license under its patent rights nor the rights of others.

ON Semiconductor and  are trademarks of Semiconductor Components Industries, LLC dba ON Semiconductor or its subsidiaries in the United States and/or other countries. ON Semiconductor owns the rights to a number of patents, trademarks, copyrights, trade secrets, and other intellectual property. A listing of ON Semiconductor's product/patent coverage may be accessed at [www.onsemi.com/site/pdf/Patent-Marking.pdf](http://www.onsemi.com/site/pdf/Patent-Marking.pdf). ON Semiconductor reserves the right to make changes without further notice to any products herein. ON Semiconductor makes no warranty, representation or guarantee regarding the suitability of its products for any particular purpose, nor does ON Semiconductor assume any liability arising out of the application or use of any product or circuit, and specifically disclaims any and all liability, including without limitation special, consequential or incidental damages. Buyer is responsible for its products and applications using ON Semiconductor products, including compliance with all laws, regulations and safety requirements or standards, regardless of any support or applications information provided by ON Semiconductor. "Typical" parameters which may be provided in ON Semiconductor data sheets and/or specifications can and do vary in different applications and actual performance may vary over time. All operating parameters, including "Typicals" must be validated for each customer application by customer's technical experts. ON Semiconductor does not convey any license under its patent rights nor the rights of others. ON Semiconductor products are not designed, intended, or authorized for use as a critical component in life support systems or any FDA Class 3 medical devices or medical devices with a same or similar classification in a foreign jurisdiction or any devices intended for implantation in the human body. Should Buyer purchase or use ON Semiconductor products for any such unintended or unauthorized application, Buyer shall indemnify and hold ON Semiconductor and its officers, employees, subsidiaries, affiliates, and distributors harmless against all claims, costs, damages, and expenses, and reasonable attorney fees arising out of, directly or indirectly, any claim of personal injury or death associated with such unintended or unauthorized use, even if such claim alleges that ON Semiconductor was negligent regarding the design or manufacture of the part. ON Semiconductor is an Equal Opportunity/Affirmative Action Employer. This literature is subject to all applicable copyright laws and is not for resale in any manner.

## PUBLICATION ORDERING INFORMATION

### LITERATURE FULFILLMENT:

Email Requests to: [orderlit@onsemi.com](mailto:orderlit@onsemi.com)

ON Semiconductor Website: [www.onsemi.com](http://www.onsemi.com)

### TECHNICAL SUPPORT

North American Technical Support:  
Voice Mail: 1 800-282-9855 Toll Free USA/Canada  
Phone: 011 421 33 790 2910

Europe, Middle East and Africa Technical Support:

Phone: 00421 33 790 2910

For additional information, please contact your local Sales Representative