

▶ FAQ
▶ Power Supplies / In Addition
▶ Power Supplies
▶ Axial Fans
▶ Measuring / Motor Protective Relays
▶ Wiring Systems

▶ FAQ
▶ Technical Guide
▶ Models with Standards Certification
▶ SISTEMA Library
▶ eLearning
▶ Glossary of Industrial Automation

FAQ01521 of Axial Fans FAQ

FAQ No. FAQ01521


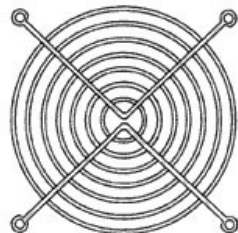
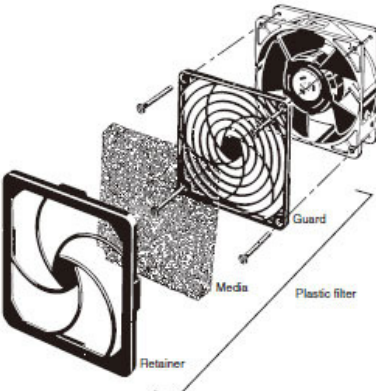

Question

What accessories are available for the R87F and R87T AC Axial-flow Fans?

Answer

Please refer to the following diagrams and table.

Appearance

<p>R87F-PC[] Plug Cord</p> 	<p>R87F-FG[] Finger Guard</p> 
<p>R87F-FL[] Plastic Filter</p>  <p>Installation</p> <ol style="list-style-type: none"> 1. Attach the guard to the Fan using the mounting bolts. (There are no mounting bolts provided with the Plastic Filter.) 2. With the media held between the retainer and the guard, hook the retainer to the guard. (The Media and retainer can be one-touch mounted/dismounted.) <p>Note:</p> <p>Use the following model number to order the Media only. R87F-FL[]-M[] ([]: 120, 90, or 80) (One set containing five Media, weight: 5 g max.)</p>	<p>R87F-FL120S Aluminum Screen Filter</p>  <p>This Filter serves as a shield to stop magnetic flux from leaking through the Fan's ventilation holes.</p>

Models

Use accessories 1, 2, or 3 according to your application.

Plug Cords

Applicable size	Applicable model	Finger Guard	Plastic Filter	Aluminum Screen Filter
120 x 120 x 38 thick	R87F-A[]A15[]P	R87F-FG120	R87F-FL120	R87F-FL120S
120 x 120 x 25 thick	R87F-A[]A13[]P	R87F-FG120	R87F-FL120	R87F-FL120S
92 x 92 x 25 thick	R87F-A[]A93[]P	R87F-FG90	R87F-FL90	---
80 x 80 x 38 thick	R87F-A[]A85[]P	R87F-FG80	R87F-FL80	---
80 x 80 x 25 thick	R87F-A[]A83[]	R87F-FG80	R87F-FL80	---

120 x 120 x 38 thick	R87T-A[A15]P	R87F-FG120	R87F-FL120	R87F-FL120S
80 x 80 x 38 (H x W x D)	R87T-A[A85H	R87F-FG80	R87F-FL80	---
80 x 80 x 25 thick	R87T-A[A83H	R87F-FG80	R87F-FL80	---
150 x 55 (diameter x thickness)	R87T-A[A07H	R87F-FG150	---	---
150 x 38 (diameter x thickness)	R87T-A[A05H	R87F-FG150	---	---

	Model	Cord length
UL-listed, CSA-applicable Cords	R87F-PC	1 m
	R87F-PC-20	2 m
Cords compliant with the Electrical Appliance and Material Safety Law	R87F-PCJT	1 m
	R87F-PCJT-20	2 m

Note: These Plug Cords are for Axial-flow Fans equipped with terminals.

Did this article help you to solve your problem?

Recommended Products

▶ S8VS



New Models with Indication Monitor and Simple Functions for Easy System Commissioning

▶ ZJ-FA20



High-speed, High cost performance Ionization

▶ S8JX



Flexible Selection of Reliability and Ease of Operation with the S8JX. New Models with Harmonic Current Suppression for a Broader Lineup.

Other Axial Fans FAQ

- ▶ [What is thermal protection?](#)
- ▶ [Are there any specific application methods that will extend the life of an Axial-flow Fan?](#)
- ▶ [What is impedance protection?](#)

[▲ Top of page](#)

[▶ OMRON Corporation](#) [▶ Sitemap](#) [▶ Terms of Use](#) [▶ Privacy Policy](#)

© Copyright OMRON Corporation 2007 - 2015. All Rights Reserved.

realizing