

Modifications Notices

PCB Power Relays

Issue Date
January 5, 2018

No. 2018E004A

Modification notice of outer box dimension change of G6B-2 series for quality improvement in transit.

[Effective Date]

Effective as of our production in March, 2018

[Applicable Model]

Model G6B-2 series

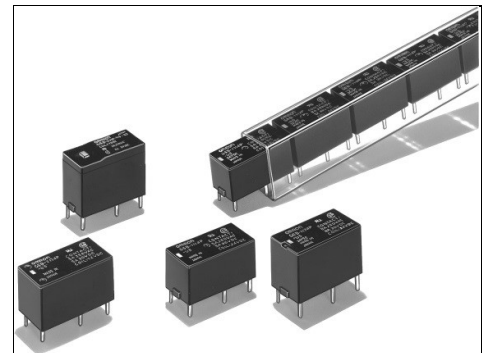
< Refer to the " [Details of applicable model] " . >

[Reason for change]

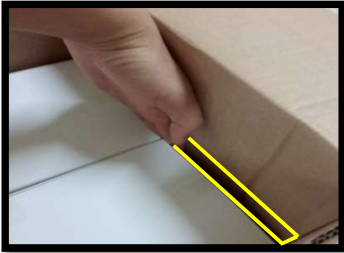
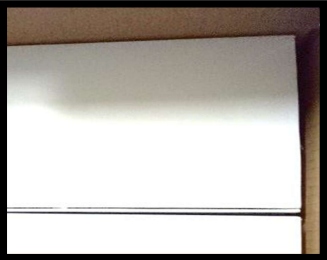
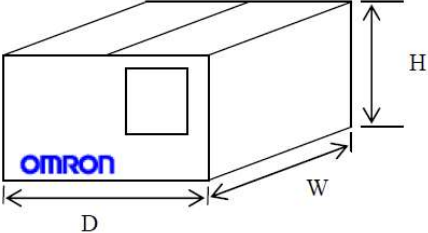
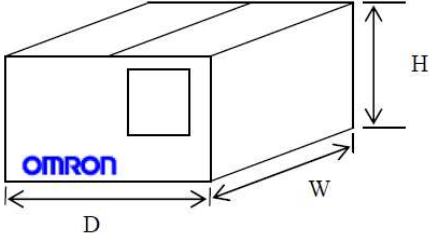
For quality improvement

[Change of products specification]

Unnecessary



[Changes]

| Before the change | After the change |
|---------------------------------------------------------------------------------------------------------------------------------------------------------------------------------------------------|-----------------------------------------------------------------------------------------------------------------------------------------------------------------------------------------------------------------|
| <p>Gap between outer box and inner box There is a gap between the outer box and the inner box.</p>  | <p>Gap between outer box and inner box The gap between the outer box and the inner box is getting narrower.</p>  |
| <p>Size of outer box Size of current outer box W:319mm D:264mm H:168mm.</p>  | <p>Size of outer box Size of changed outer box W:311mm D:264mm H:155mm</p>  |

*This document had been distributed by Omron Electronic Components Europe BV.

[Details of applicable model]

| Models | Specification |
|----------------------|---------------|
| G6B-2114P-1-US-7 | DC12 BY OMZ/C |
| G6B-2114P-1-US-7 | DC24 BY OMZ/C |
| G6B-2114P-1-US-7 | DC48 BY OMZ/C |
| G6B-2114P-1-US-7 | DC5 BY OMZ/C |
| G6B-2114P-1-US-7S | DC24 OMZ/C |
| G6B-2114P-1-US-AP-7 | DC24 OMZ/C |
| G6B-2114P-1-US-DM | DC5 BY OMZ |
| G6B-2114P-1-US-KN | DC12 BY OMZ |
| G6B-2114P-1-US-KN | DC24 BYOMZ/C |
| G6B-2114P-1-US-KN | DC4.5 OMZ/C |
| G6B-2114P-1-US-KN | DC48 BY OMZ |
| G6B-2114P-1-US-KN | DC48 BYOMZ/C |
| G6B-2114P-1-US-KN | DC5 BY OMZ/C |
| G6B-2114P-US-NR | DC48 BY OMZ |
| G6B-2114P-US-SK | DC12 BY OMZ |
| G6B-2114P-US-U-SP-YE | DC24 BY O |
| G6B-2214P-1-US-7 | DC12 BY OMZ/C |
| G6B-2214P-1-US-7 | DC24 BY OMZ/C |
| G6B-2214P-1-US-7 | DC48 BY OMZ/C |
| G6B-2214P-1-US-7 | DC5 BY OMZ/C |
| G6B-2214P-1-US-AP-7 | DC24 OMZ/C |
| G6B-2214P-1-US-KN | DC12 BY OMZ |
| G6B-2214P-1-US-KN | DC12 OMZ/C |
| G6B-2214P-1-US-KN | DC24 BYOMZ/C |
| G6B-2214P-1-US-KN | DC4.5 OMZ/C |
| G6B-2214P-1-US-KN | DC48 BY OMZ |
| G6B-2214P-1-US-KN | DC5 BY OMZ |
| G6B-2214P-1-US-KN | DC5 BY OMZ/C |
| G6BK-2114P-1-US-7 | DC12 BYOMZ/C |
| G6BK-2114P-1-US-7 | DC24 OMZ/C |
| G6BK-2114P-1-US-7 | DC5 BY OMZ/C |
| G6BK-2114P-1-US-AP-7 | DC24OMZ/C |
| G6BK-2114P-1-US-KN | DC12 BY OMZ |
| G6BK-2114P-1-US-KN | DC24 BY OMZ |
| G6BK-2114P-1-US-KN | DC24 OMZ/C |
| G6BK-2114P-1-US-KN | DC5 BY OMZ |
| G6BK-2114P-1-US-KN | DC5 BYOMZ/C |
| G6BK-2214P-1-US | DC12 BY OMZ |
| G6BK-2214P-1-US-7 | DC12 BYOMZ/C |
| G6BK-2214P-1-US-7 | DC24 BY OMZ |
| G6BK-2214P-1-US-7 | DC24 BYOMZ/C |
| G6BK-2214P-1-US-7 | DC5 BY OMZ/C |
| G6BK-2214P-1-US-AP-7 | DC24OMZ/C |
| G6BK-2214P-1-US-KN | DC12BYOMZ/C |
| G6BK-2214P-1-US-KN | DC24BYOMZ/C |
| G6BK-2214P-1-US-KN | DC4.5 OMZ/C |
| G6BK-2214P-1-US-KN | DC5 BY OMZ |
| G6BK-2214P-1-US-KN | DC5 BYOMZ/C |

| Models | Specification |
|---------------------|---------------|
| G6BU-2114P-1-US | DC12 BY OMZ |
| G6B-2014P-FD-KE | DC24 BY OMZ |
| G6B-2014C-FD-US | DC12 BY OMZ |
| G6B-2014C-FD-US | DC24 BY OMZ |
| G6B-2014C-US | DC12 BY OMZ |
| G6B-2014C-US | DC12 BY OMZ/C |
| G6B-2014C-US | DC24 BY OMZ |
| G6B-2014C-US | DC5 BY OMZ |
| G6B-2014C-US | DC6 BY OMZ |
| G6B-2014P-1-L | DC48 BY OMZ |
| G6B-2014P-1-TS | DC24 BY OMZ |
| G6B-2014P-1-US | DC24 BY OMZ |
| G6B-2014P-1-US | DC24 BY OMZ/C |
| G6B-2014P-AS | DC24 BY OMZ |
| G6B-2014P-FD-US | DC12 BY OMZ |
| G6B-2014P-FD-US | DC12 BY OMZ/C |
| G6B-2014P-FD-US | DC24 BY OMZ |
| G6B-2014P-FD-US | DC24 BY OMZ/C |
| G6B-2014P-FD-US | DC5 BY OMZ |
| G6B-2014P-FD-US | DC5 BY OMZ/C |
| G6B-2014P-FD-US-P6B | DC24 BY OM |
| G6B-2014P-FD-US-U | DC12 BY OMZ |
| G6B-2014P-FD-US-U | DC24 BY OMZ |
| G6B-2014P-FD-US-U | DC5 BY OMZ |
| G6B-2014P-KD | DC24 BY OMZ |
| G6B-2014P-KE | DC24 BY OMZ |
| G6B-2014P-RB | DC24 BY OMZ |
| G6B-2014P-US | DC12 BY OMZ |
| G6B-2014P-US | DC12 BY OMZ/C |
| G6B-2014P-US | DC24 BY OMZ |
| G6B-2014P-US | DC24 BY OMZ/C |
| G6B-2014P-US | DC48 BY OMZ |
| G6B-2014P-US | DC48 BY OMZ/C |
| G6B-2014P-US | DC5 BY OMZ |
| G6B-2014P-US | DC5 BY OMZ/C |
| G6B-2014P-US | DC6 BY OMZ |
| G6B-2014P-US | DC6 BY OMZ/C |
| G6B-2014P-US | SP DC5 BY OMZ |
| G6B-2014P-US-DE | DC24 BY OMZ |
| G6B-2014P-US-P6B | DC12 BY OMZ |
| G6B-2014P-US-P6B | DC24 BY OMZ |
| G6B-2014P-US-P6B | DC24 BY OMZ/C |
| G6B-2014P-US-P6B | DC48 BY OMZ |
| G6B-2014P-US-P6B | DC5 BY OMZ |
| G6B-2014P-US-P6B | DC6 BY OMZ |
| G6B-2014P-US-P6B | DC9 BY OMZ |
| G6B-2014P-US-TD | DC24 BY OMZ |
| G6B-2014P-US-U | DC12 BY OMZ |

| Models | Specification |
|---------------------------|----------------------|
| G6B-2014P-US-U | DC12 BY OMZ/C |
| G6B-2014P-US-U | DC24 BY OMZ |
| G6B-2014P-US-U | DC24 BY OMZ/C |
| G6B-2014P-US-U | DC5 BY OMZ |
| G6B-2114C-FD-US | DC12 BY OMZ |
| G6B-2114C-FD-US | DC24 BY OMZ |
| G6B-2114C-FD-US | DC5 BY OMZ |
| G6B-2114C-US | DC12 BY OMZ |
| G6B-2114C-US | DC12 BY OMZ/C |
| G6B-2114C-US | DC24 BY OMZ |
| G6B-2114C-US | DC5 BY OMZ |
| G6B-2114C-US | DC6 BY OMZ |
| G6B-2114P-1 | DC16 BY OMZ |
| G6B-2114P-1-US | DC12 BY OMZ |
| G6B-2114P-1-US | DC12 BY OMZ/C |
| G6B-2114P-1-US | DC16 BY OMZ |
| G6B-2114P-1-US | DC24 BY OMZ |
| G6B-2114P-1-US | DC24 BY OMZ/C |
| G6B-2114P-1-US | DC48 BY OMZ |
| G6B-2114P-1-US | DC48 BY OMZ/C |
| G6B-2114P-1-US | DC5 BY OMZ |
| G6B-2114P-1-US | DC5 BY OMZ/C |
| G6B-2114P-1-US | DC6 BY OMZ |
| G6B-2114P-1-US | DC9 BY OMZ |
| G6B-2114P-1-US-AP1 | DC12 BY OMZ |
| G6B-2114P-1-US-AP1 | DC24 BY OMZ |
| G6B-2114P-1-US-U | DC12 BY OMZ |
| G6B-2114P-1-US-XJ | DC24 BY OMZ |
| G6B-2114P-FD-1-US | DC12 BY OMZ |
| G6B-2114P-FD-1-US | DC24 BY OMZ |
| G6B-2114P-FD-US | DC12 BY OMZ |
| G6B-2114P-FD-US | DC24 BY OMZ |
| G6B-2114P-FD-US | DC24 BY OMZ/C |
| G6B-2114P-FD-US | DC5 BY OMZ |
| G6B-2114P-FD-US | DC5 BY OMZ/C |
| G6B-2114P-FD-US | DC6 BY OMZ |
| G6B-2114P-FD-US-AP-CEDC24 | BYOMZ |
| G6B-2114P-FD-US-P6B | DC12 BY OM |
| G6B-2114P-FD-US-P6B | DC24 BY OM |
| G6B-2114P-FD-US-P6B | DC5 BY OMZ |
| G6B-2114P-FD-US-U | DC12 BY OMZ |
| G6B-2114P-FD-US-U | DC24 BY OMZ |
| G6B-2114P-FD-US-U | DC24 BY OMZ/C |
| G6B-2114P-FD-US-U | DC5 BY OMZ |
| G6B-2114P-US | DC12 BY OMZ |
| G6B-2114P-US | DC12 BY OMZ/C |
| G6B-2114P-US | DC24 BY OMZ |
| G6B-2114P-US | DC24 BY OMZ/C |
| G6B-2114P-US | DC4.5 BY OMZ |

| Models | Specification |
|-------------------|----------------------|
| G6B-2114P-US | DC48 BY OMZ |
| G6B-2114P-US | DC48 BY OMZ/C |
| G6B-2114P-US | DC5 BY OMZ |
| G6B-2114P-US | DC5 BY OMZ/C |
| G6B-2114P-US | DC6 BY OMZ |
| G6B-2114P-US | DC6 BY OMZ/C |
| G6B-2114P-US | DC8 BY OMZ |
| G6B-2114P-US | DC9 BY OMZ |
| G6B-2114P-US | DC9 BY OMZ/C |
| G6B-2114P-US-AP | DC12 BY OMZ |
| G6B-2114P-US-AP | DC24 BY OMZ |
| G6B-2114P-US-AP1 | DC24 BY OMZ |
| G6B-2114P-US-P6B | DC12 BY OMZ |
| G6B-2114P-US-P6B | DC24 BY OMZ |
| G6B-2114P-US-P6B | DC24 BY OMZ/C |
| G6B-2114P-US-P6B | DC48 BY OMZ |
| G6B-2114P-US-P6B | DC5 BY OMZ |
| G6B-2114P-US-P6B | DC5 BY OMZ/C |
| G6B-2114P-US-P6B | DC6 BY OMZ |
| G6B-2114P-US-P6B | DC9 BY OMZ |
| G6B-2114P-US-SP | DC24 BY OMZ |
| G6B-2114P-US-U | DC12 BY OMZ |
| G6B-2114P-US-U | DC12 BY OMZ/C |
| G6B-2114P-US-U | DC24 BY OMZ |
| G6B-2114P-US-U | DC24 BY OMZ/C |
| G6B-2114P-US-U | DC5 BY OMZ |
| G6B-2114P-US-U | DC5 BY OMZ/C |
| G6B-2214C-FD-US | DC12 BY OMZ |
| G6B-2214C-FD-US | DC24 BY OMZ |
| G6B-2214C-FD-US | DC5 BY OMZ |
| G6B-2214C-US | DC12 BY OMZ |
| G6B-2214C-US | DC12 BY OMZ/C |
| G6B-2214C-US | DC24 BY OMZ |
| G6B-2214C-US | DC24 BY OMZ/C |
| G6B-2214C-US | DC5 BY OMZ |
| G6B-2214C-US-U | DC12 BY OMZ |
| G6B-2214C-US-U | DC24 BY OMZ |
| G6B-2214P-1-TS | DC24 BY OMZ |
| G6B-2214P-1-US | DC12 BY OMZ |
| G6B-2214P-1-US | DC12 BY OMZ/C |
| G6B-2214P-1-US | DC24 BY OMZ |
| G6B-2214P-1-US | DC24 BY OMZ/C |
| G6B-2214P-1-US | DC3 BY OMZ |
| G6B-2214P-1-US | DC48 BY OMZ |
| G6B-2214P-1-US | DC48 BY OMZ/C |
| G6B-2214P-1-US | DC5 BY OMZ |
| G6B-2214P-1-US | DC5 BY OMZ/C |
| G6B-2214P-1-US | DC6 BY OMZ |
| G6B-2214P-1-US-7S | DC24 OMZ/C |

| Models | Specification |
|-----------------------|---------------|
| G6B-2214P-1-US-AP1 | DC12 BY OMZ |
| G6B-2214P-1-US-AP1 | DC24 BY OMZ |
| G6B-2214P-1-US-P6B | DC24 BY OMZ |
| G6B-2214P-1-US-XJ | DC24 BY OMZ |
| G6B-2214P-FD-1-US | DC24 BY OMZ |
| G6B-2214P-FD-US | DC12 BY OMZ |
| G6B-2214P-FD-US | DC12 BY OMZ/C |
| G6B-2214P-FD-US | DC24 BY OMZ |
| G6B-2214P-FD-US | DC24 BY OMZ/C |
| G6B-2214P-FD-US | DC5 BY OMZ |
| G6B-2214P-FD-US | DC5 BY OMZ/C |
| G6B-2214P-FD-US | DC6 BY OMZ |
| G6B-2214P-FD-US-AP-CE | DC24BYOMZ |
| G6B-2214P-FD-US-P6B | DC12 BY OM |
| G6B-2214P-FD-US-P6B | DC24 BY OM |
| G6B-2214P-FD-US-P6B | DC5 BY OMZ |
| G6B-2214P-FD-US-PI | DC12 BY OMZ |
| G6B-2214P-FD-US-PI | DC12BYOMZ/C |
| G6B-2214P-FD-US-U | DC12 BY OMZ |
| G6B-2214P-FD-US-U | DC24 BY OMZ |
| G6B-2214P-FD-US-U | DC5 BY OMZ |
| G6B-2214P-US | DC12 BY OMZ |
| G6B-2214P-US | DC12 BY OMZ/C |
| G6B-2214P-US | DC24 BY OMZ |
| G6B-2214P-US | DC24 BY OMZ/C |

| Models | Specification |
|------------------|---------------|
| G6B-2214P-US | DC48 BY OMZ |
| G6B-2214P-US | DC48 BY OMZ/C |
| G6B-2214P-US | DC5 BY OMZ |
| G6B-2214P-US | DC5 BY OMZ/C |
| G6B-2214P-US | DC6 BY OMZ |
| G6B-2214P-US | DC6 BY OMZ/C |
| G6B-2214P-US | DC9 BY OMZ |
| G6B-2214P-US-AP | DC24 BY OMZ |
| G6B-2214P-US-P6B | DC12 BY OMZ |
| G6B-2214P-US-P6B | DC12 BY OMZ/C |
| G6B-2214P-US-P6B | DC24 BY OMZ |
| G6B-2214P-US-P6B | DC24 BY OMZ/C |
| G6B-2214P-US-P6B | DC48 BY OMZ |
| G6B-2214P-US-P6B | DC5 BY OMZ |
| G6B-2214P-US-P6B | DC6 BY OMZ |
| G6B-2214P-US-P6B | DC9 BY OMZ |
| G6B-2214P-US-U | DC12 BY OMZ |
| G6B-2214P-US-U | DC12 BY OMZ/C |
| G6B-2214P-US-U | DC24 BY OMZ |
| G6B-2214P-US-U | DC24 BY OMZ/C |
| G6B-2214P-US-U | DC5 BY OMZ |
| G6B-2214P-US-U | DC6 BY OMZ |
| G6BU-2114P-1-US | DC3 BY OMZ |

Specifications in this product news are as of the issue date and are subject to change without notice. Only main changes in specifications are described in this document. Please be sure to read the relevant catalogs, datasheets, product specifications, instructions, and manuals for precautions and necessary information when using products.

| Before change | | | After change* | | |
|---------------------------------|---------------------|------------------|---------------------------------|---------------------|------------------|
| Old part number | Old OC product code | Old ODPOS code | New part number | New OC product code | New ODPOS code |
| G6B-2114P-1-US-7 DC12 BY OMZ/C | #N/A | #N/A | G6B-2114P-1-US-7 DC12 BY OMZ/C | #N/A | #N/A |
| G6B-2114P-1-US-7 DC24 BY OMZ/C | #N/A | #N/A | G6B-2114P-1-US-7 DC24 BY OMZ/C | #N/A | #N/A |
| G6B-2114P-1-US-7 DC48 BY OMZ/C | #N/A | #N/A | G6B-2114P-1-US-7 DC48 BY OMZ/C | #N/A | #N/A |
| G6B-2114P-1-US-7 DC5 BY OMZ/C | #N/A | #N/A | G6B-2114P-1-US-7 DC5 BY OMZ/C | #N/A | #N/A |
| G6B-2114P-1-US-7S DC24 OMZ/C | #N/A | #N/A | G6B-2114P-1-US-7S DC24 OMZ/C | #N/A | #N/A |
| G6B-2114P-1-US-AP-7 DC24 OMZ/C | #N/A | #N/A | G6B-2114P-1-US-AP-7 DC24 OMZ/C | #N/A | #N/A |
| G6B-2114P-1-US-DM DC5 BY OMZ | #N/A | #N/A | G6B-2114P-1-US-DM DC5 BY OMZ | #N/A | #N/A |
| G6B-2114P-1-US-KN DC12 BY OMZ | #N/A | #N/A | G6B-2114P-1-US-KN DC12 BY OMZ | #N/A | #N/A |
| G6B-2114P-1-US-KN DC24 BYOMZ/C | #N/A | #N/A | G6B-2114P-1-US-KN DC24 BYOMZ/C | #N/A | #N/A |
| G6B-2114P-1-US-KN DC4.5 OMZ/C | #N/A | #N/A | G6B-2114P-1-US-KN DC4.5 OMZ/C | #N/A | #N/A |
| G6B-2114P-1-US-KN DC48 BY OMZ | #N/A | #N/A | G6B-2114P-1-US-KN DC48 BY OMZ | #N/A | #N/A |
| G6B-2114P-1-US-KN DC48 BYOMZ/C | #N/A | #N/A | G6B-2114P-1-US-KN DC48 BYOMZ/C | #N/A | #N/A |
| G6B-2114P-1-US-KN DC5 BY OMZ/C | #N/A | #N/A | G6B-2114P-1-US-KN DC5 BY OMZ/C | #N/A | #N/A |
| G6B-2114P-1-US-NR DC48 BY OMZ | #N/A | #N/A | G6B-2114P-1-US-NR DC48 BY OMZ | #N/A | #N/A |
| G6B-2114P-1-US-NR DC48 BYOMZ/C | #N/A | #N/A | G6B-2114P-1-US-NR DC48 BYOMZ/C | #N/A | #N/A |
| G6B-2114P-1-US-SP-7 DC24 BY O | #N/A | #N/A | G6B-2114P-1-US-SP-7 DC24 BY O | #N/A | #N/A |
| G6B-2214P-1-US-7 DC12 BY OMZ/C | #N/A | #N/A | G6B-2214P-1-US-7 DC12 BY OMZ/C | #N/A | #N/A |
| G6B-2214P-1-US-7 DC24 BY OMZ/C | #N/A | #N/A | G6B-2214P-1-US-7 DC24 BY OMZ/C | #N/A | #N/A |
| G6B-2214P-1-US-7 DC48 BY OMZ/C | #N/A | #N/A | G6B-2214P-1-US-7 DC48 BY OMZ/C | #N/A | #N/A |
| G6B-2214P-1-US-7 DC5 BY OMZ/C | #N/A | #N/A | G6B-2214P-1-US-7 DC5 BY OMZ/C | #N/A | #N/A |
| G6B-2214P-1-US-AP-7 DC24 OMZ/C | #N/A | #N/A | G6B-2214P-1-US-AP-7 DC24 OMZ/C | #N/A | #N/A |
| G6B-2214P-1-US-KN DC12 BY OMZ | #N/A | #N/A | G6B-2214P-1-US-KN DC12 BY OMZ | #N/A | #N/A |
| G6B-2214P-1-US-KN DC12 OMZ/C | #N/A | #N/A | G6B-2214P-1-US-KN DC12 OMZ/C | #N/A | #N/A |
| G6B-2214P-1-US-KN DC24 BYOMZ/C | #N/A | #N/A | G6B-2214P-1-US-KN DC24 BYOMZ/C | #N/A | #N/A |
| G6B-2214P-1-US-KN DC4.5 OMZ/C | #N/A | #N/A | G6B-2214P-1-US-KN DC4.5 OMZ/C | #N/A | #N/A |
| G6B-2214P-1-US-KN DC48 BY OMZ | #N/A | #N/A | G6B-2214P-1-US-KN DC48 BY OMZ | #N/A | #N/A |
| G6B-2214P-1-US-KN DC5 BY OMZ | #N/A | #N/A | G6B-2214P-1-US-KN DC5 BY OMZ | #N/A | #N/A |
| G6B-2214P-1-US-KN DC5 BYOMZ/C | #N/A | #N/A | G6B-2214P-1-US-KN DC5 BYOMZ/C | #N/A | #N/A |
| G6BK-2114P-1-US-7 DC12 BYOMZ/C | #N/A | #N/A | G6BK-2114P-1-US-7 DC12 BYOMZ/C | #N/A | #N/A |
| G6BK-2114P-1-US-7 DC24 OMZ/C | #N/A | #N/A | G6BK-2114P-1-US-7 DC24 OMZ/C | #N/A | #N/A |
| G6BK-2114P-1-US-7 DC5 BY OMZ/C | #N/A | #N/A | G6BK-2114P-1-US-7 DC5 BY OMZ/C | #N/A | #N/A |
| G6BK-2114P-1-US-AP-7 DC24OMZ/C | #N/A | #N/A | G6BK-2114P-1-US-AP-7 DC24OMZ/C | #N/A | #N/A |
| G6BK-2114P-1-US-KN DC12 BY OMZ | #N/A | #N/A | G6BK-2114P-1-US-KN DC12 BY OMZ | #N/A | #N/A |
| G6BK-2114P-1-US-KN DC24 BY OMZ | #N/A | #N/A | G6BK-2114P-1-US-KN DC24 BY OMZ | #N/A | #N/A |
| G6BK-2114P-1-US-KN DC24 OMZ/C | #N/A | #N/A | G6BK-2114P-1-US-KN DC24 OMZ/C | #N/A | #N/A |
| G6BK-2114P-1-US-KN DC5 BY OMZ | #N/A | #N/A | G6BK-2114P-1-US-KN DC5 BY OMZ | #N/A | #N/A |
| G6BK-2114P-1-US-KN DC5 BYOMZ/C | #N/A | #N/A | G6BK-2114P-1-US-KN DC5 BYOMZ/C | #N/A | #N/A |
| G6BK-2214P-1-US DC12 BY OMZ | #N/A | #N/A | G6BK-2214P-1-US DC12 BY OMZ | #N/A | #N/A |
| G6BK-2214P-1-US-7 DC12 BYOMZ/C | #N/A | #N/A | G6BK-2214P-1-US-7 DC12 BYOMZ/C | #N/A | #N/A |
| G6BK-2214P-1-US-7 DC24 BY OMZ | #N/A | #N/A | G6BK-2214P-1-US-7 DC24 BY OMZ | #N/A | #N/A |
| G6BK-2214P-1-US-7 DC24 BYOMZ/C | #N/A | #N/A | G6BK-2214P-1-US-7 DC24 BYOMZ/C | #N/A | #N/A |
| G6BK-2214P-1-US-7 DC5 BY OMZ/C | #N/A | #N/A | G6BK-2214P-1-US-7 DC5 BY OMZ/C | #N/A | #N/A |
| G6BK-2214P-1-US-AP-7 DC24OMZ/C | #N/A | #N/A | G6BK-2214P-1-US-AP-7 DC24OMZ/C | #N/A | #N/A |
| G6BK-2214P-1-US-KN DC12BYOMZ/C | #N/A | #N/A | G6BK-2214P-1-US-KN DC12BYOMZ/C | #N/A | #N/A |
| G6BK-2214P-1-US-KN DC24BYOMZ/C | #N/A | #N/A | G6BK-2214P-1-US-KN DC24BYOMZ/C | #N/A | #N/A |
| G6BK-2214P-1-US-KN DC4.5 OMZ/C | #N/A | #N/A | G6BK-2214P-1-US-KN DC4.5 OMZ/C | #N/A | #N/A |
| G6BK-2214P-1-US-KN DC5 BY OMZ | #N/A | #N/A | G6BK-2214P-1-US-KN DC5 BY OMZ | #N/A | #N/A |
| G6BK-2214P-1-US-KN DC5 BYOMZ/C | #N/A | #N/A | G6BK-2214P-1-US-KN DC5 BYOMZ/C | #N/A | #N/A |
| G6BU-2114P-1-US DC12 BY OMZ | G6BK6015H | G6BU2114P1US12DC | G6BU-2114P-1-US DC12 BY OMZ | G6BK6015H | G6BU2114P1US12DC |
| G6B-2014P-FD-KE DC24 BY OMZ | G6B 6017E | #N/A | G6B-2014P-FD-KE DC24 BY OMZ | G6B 6017E | #N/A |
| G6B-2014C-FD-US DC12 BY OMZ | G6B 6018C | #N/A | G6B-2014C-FD-US DC12 BY OMZ | G6B 6018C | #N/A |
| G6B-2014C-FD-US DC24 BY OMZ | G6B 6016G | #N/A | G6B-2014C-FD-US DC24 BY OMZ | G6B 6016G | #N/A |
| G6B-2014C-US DC12 BY OMZ | G6B 6090F | #N/A | G6B-2014C-US DC12 BY OMZ | G6B 6090F | #N/A |
| G6B-2014C-US DC12 BY OMZ/C | G6B 6043D | #N/A | G6B-2014C-US DC12 BY OMZ/C | G6B 6043D | #N/A |
| G6B-2014C-US DC24 BY OMZ | G6B 6102C | #N/A | G6B-2014C-US DC24 BY OMZ | G6B 6102C | #N/A |
| G6B-2014C-US DC5 BY OMZ | G6B 6049C | #N/A | G6B-2014C-US DC5 BY OMZ | G6B 6049C | #N/A |
| G6B-2014C-US DC6 BY OMZ | G6B 6048E | #N/A | G6B-2014C-US DC6 BY OMZ | G6B 6048E | #N/A |
| G6B-2014P-1-L DC48 BY OMZ | G6B 6104M | #N/A | G6B-2014P-1-L DC48 BY OMZ | G6B 6104M | #N/A |
| G6B-2014P-1-TS DC24 BY OMZ | G6B 6058B | #N/A | G6B-2014P-1-TS DC24 BY OMZ | G6B 6058B | #N/A |
| G6B-2014P-1-US DC24 BY OMZ | G6B 6057D | #N/A | G6B-2014P-1-US DC24 BY OMZ | G6B 6057D | #N/A |
| G6B-2014P-1-US DC24 BY OMZ/C | G6B 6014M | #N/A | G6B-2014P-1-US DC24 BY OMZ/C | G6B 6014M | #N/A |
| G6B-2014P-AS DC24 BY OMZ | G6B 6013B | #N/A | G6B-2014P-AS DC24 BY OMZ | G6B 6013B | #N/A |
| G6B-2014P-FD-US DC12 BY OMZ | G6B 6053A | #N/A | G6B-2014P-FD-US DC12 BY OMZ | G6B 6053A | #N/A |
| G6B-2014P-FD-US DC12 BY OMZ/C | G6B 6015R | #N/A | G6B-2014P-FD-US DC12 BY OMZ/C | G6B 6015R | #N/A |
| G6B-2014P-FD-US DC24 BY OMZ | G6B 6052C | #N/A | G6B-2014P-FD-US DC24 BY OMZ | G6B 6052C | #N/A |
| G6B-2014P-FD-US DC24 BY OMZ/C | G6B 6067A | #N/A | G6B-2014P-FD-US DC24 BY OMZ/C | G6B 6067A | #N/A |
| G6B-2014P-FD-US DC5 BY OMZ | G6B 6188M | #N/A | G6B-2014P-FD-US DC5 BY OMZ | G6B 6188M | #N/A |
| G6B-2014P-FD-US DC5 BY OMZ/C | G6B 6033G | #N/A | G6B-2014P-FD-US DC5 BY OMZ/C | G6B 6033G | #N/A |
| G6B-2014P-FD-US-P6B DC24 BY OMZ | G6B 6032R | #N/A | G6B-2014P-FD-US-P6B DC24 BY OMZ | G6B 6032R | #N/A |
| G6B-2014P-FD-US-U DC12 BY OMZ | G6B 6034E | #N/A | G6B-2014P-FD-US-U DC12 BY OMZ | G6B 6034E | #N/A |
| G6B-2014P-FD-US-U DC24 BY OMZ | G6B 6046R | #N/A | G6B-2014P-FD-US-U DC24 BY OMZ | G6B 6046R | #N/A |
| G6B-2014P-FD-US-U DC5 BY OMZ | G6B 6045M | #N/A | G6B-2014P-FD-US-U DC5 BY OMZ | G6B 6045M | #N/A |
| G6B-2014P-KD DC24 BY OMZ | G6B 6047G | #N/A | G6B-2014P-KD DC24 BY OMZ | G6B 6047G | #N/A |
| G6B-2014P-KE DC24 BY OMZ | G6B 6142B | #N/A | G6B-2014P-KE DC24 BY OMZ | G6B 6142B | #N/A |
| G6B-2014P-RB DC24 BY OMZ | G6B 6061B | #N/A | G6B-2014P-RB DC24 BY OMZ | G6B 6061B | #N/A |

*If After the change values are the same, it means the product only had technical or packing change, which does not effect the product codes!

Changes are highlighted with a background colour,

** If the product does not have an OC product code or ODPOS code, it means it's currently not available in our systems

| | | | | | |
|---------------------------------|-----------|-------------------|---------------------------------|-----------|-------------------|
| G6B-2114P-US-AP DC12 BY OMZ | #N/A | #N/A | G6B-2114P-US-AP DC12 BY OMZ | #N/A | #N/A |
| G6B-2114P-US-AP DC24 BY OMZ | #N/A | #N/A | G6B-2114P-US-AP DC24 BY OMZ | #N/A | #N/A |
| G6B-2114P-US-AP1 DC24 BY OMZ | #N/A | #N/A | G6B-2114P-US-AP1 DC24 BY OMZ | #N/A | #N/A |
| G6B-2114P-US-P6B DC12 BY OMZ | #N/A | #N/A | G6B-2114P-US-P6B DC12 BY OMZ | #N/A | #N/A |
| G6B-2114P-US-P6B DC24 BY OMZ | G6B 6067A | G6B2114PUSP6B24DC | G6B-2114P-US-P6B DC24 BY OMZ | G6B 6067A | G6B2114PUSP6B24DC |
| G6B-2114P-US-P6B DC24 BY OMZ/C | #N/A | #N/A | G6B-2114P-US-P6B DC24 BY OMZ/C | #N/A | #N/A |
| G6B-2114P-US-P6B DC48 BY OMZ | #N/A | #N/A | G6B-2114P-US-P6B DC48 BY OMZ | #N/A | #N/A |
| G6B-2114P-US-P6B DC5 BY OMZ | #N/A | #N/A | G6B-2114P-US-P6B DC5 BY OMZ | #N/A | #N/A |
| G6B-2114P-US-P6B DC5 BY OMZ/C | #N/A | #N/A | G6B-2114P-US-P6B DC5 BY OMZ/C | #N/A | #N/A |
| G6B-2114P-US-P6B DC6 BY OMZ | #N/A | #N/A | G6B-2114P-US-P6B DC6 BY OMZ | #N/A | #N/A |
| G6B-2114P-US-P6B DC9 BY OMZ | #N/A | #N/A | G6B-2114P-US-P6B DC9 BY OMZ | #N/A | #N/A |
| G6B-2114P-US-SP DC24 BY OMZ | G6B 6188M | G6B2114PUSP24DC | G6B-2114P-US-SP DC24 BY OMZ | G6B 6188M | G6B2114PUSP24DC |
| G6B-2114P-US-U DC12 BY OMZ | #N/A | #N/A | G6B-2114P-US-U DC12 BY OMZ | #N/A | #N/A |
| G6B-2114P-US-U DC12 BY OMZ/C | #N/A | #N/A | G6B-2114P-US-U DC12 BY OMZ/C | #N/A | #N/A |
| G6B-2114P-US-U DC24 BY OMZ | #N/A | #N/A | G6B-2114P-US-U DC24 BY OMZ | #N/A | #N/A |
| G6B-2114P-US-U DC24 BY OMZ/C | #N/A | #N/A | G6B-2114P-US-U DC24 BY OMZ/C | #N/A | #N/A |
| G6B-2114P-US-U DC5 BY OMZ | #N/A | #N/A | G6B-2114P-US-U DC5 BY OMZ | #N/A | #N/A |
| G6B-2114P-US-U DC5 BY OMZ/C | #N/A | #N/A | G6B-2114P-US-U DC5 BY OMZ/C | #N/A | #N/A |
| G6B-2214C-FD-US DC12 BY OMZ | #N/A | #N/A | G6B-2214C-FD-US DC12 BY OMZ | #N/A | #N/A |
| G6B-2214C-FD-US DC24 BY OMZ | #N/A | #N/A | G6B-2214C-FD-US DC24 BY OMZ | #N/A | #N/A |
| G6B-2214C-FD-US DC5 BY OMZ | #N/A | #N/A | G6B-2214C-FD-US DC5 BY OMZ | #N/A | #N/A |
| G6B-2214C-US DC12 BY OMZ | G6B 6033G | G6B2214CUS12DC | G6B-2214C-US DC12 BY OMZ | G6B 6033G | G6B2214CUS12DC |
| G6B-2214C-US DC12 BY OMZ/C | #N/A | #N/A | G6B-2214C-US DC12 BY OMZ/C | #N/A | #N/A |
| G6B-2214C-US DC24 BY OMZ | G6B 6032R | G6B2214CUS24DC | G6B-2214C-US DC24 BY OMZ | G6B 6032R | G6B2214CUS24DC |
| G6B-2214C-US DC24 BY OMZ/C | #N/A | #N/A | G6B-2214C-US DC24 BY OMZ/C | #N/A | #N/A |
| G6B-2214C-US DC5 BY OMZ | G6B 6034E | G6B2214CUS5DC | G6B-2214C-US DC5 BY OMZ | G6B 6034E | G6B2214CUS5DC |
| G6B-2214C-US-U DC12 BY OMZ | #N/A | #N/A | G6B-2214C-US-U DC12 BY OMZ | #N/A | #N/A |
| G6B-2214C-US-U DC24 BY OMZ | #N/A | #N/A | G6B-2214C-US-U DC24 BY OMZ | #N/A | #N/A |
| G6B-2214P-1-TS DC24 BY OMZ | #N/A | #N/A | G6B-2214P-1-TS DC24 BY OMZ | #N/A | #N/A |
| G6B-2214P-1-US DC12 BY OMZ | G6B 6046R | G6B2214P1US12DC | G6B-2214P-1-US DC12 BY OMZ | G6B 6046R | G6B2214P1US12DC |
| G6B-2214P-1-US DC12 BY OMZ/C | #N/A | #N/A | G6B-2214P-1-US DC12 BY OMZ/C | #N/A | #N/A |
| G6B-2214P-1-US DC24 BY OMZ | G6B 6045M | G6B2214P1US24DC | G6B-2214P-1-US DC24 BY OMZ | G6B 6045M | G6B2214P1US24DC |
| G6B-2214P-1-US DC24 BY OMZ/C | #N/A | #N/A | G6B-2214P-1-US DC24 BY OMZ/C | #N/A | #N/A |
| G6B-2214P-1-US DC3 BY OMZ | #N/A | #N/A | G6B-2214P-1-US DC3 BY OMZ | #N/A | #N/A |
| G6B-2214P-1-US DC48 BY OMZ | #N/A | #N/A | G6B-2214P-1-US DC48 BY OMZ | #N/A | #N/A |
| G6B-2214P-1-US DC48 BY OMZ/C | #N/A | #N/A | G6B-2214P-1-US DC48 BY OMZ/C | #N/A | #N/A |
| G6B-2214P-1-US DC5 BY OMZ | G6B 6047G | G6B2214P1US5DC | G6B-2214P-1-US DC5 BY OMZ | G6B 6047G | G6B2214P1US5DC |
| G6B-2214P-1-US DC5 BY OMZ/C | #N/A | #N/A | G6B-2214P-1-US DC5 BY OMZ/C | #N/A | #N/A |
| G6B-2214P-1-US DC6 BY OMZ | G6B 6142B | G6B2214P1US6DC | G6B-2214P-1-US DC6 BY OMZ | G6B 6142B | G6B2214P1US6DC |
| G6B-2214P-1-US DC6 BY OMZ/C | #N/A | #N/A | G6B-2214P-1-US DC6 BY OMZ/C | #N/A | #N/A |
| G6B-2214P-1-US-AP1 DC12 BY OMZ | #N/A | #N/A | G6B-2214P-1-US-AP1 DC12 BY OMZ | #N/A | #N/A |
| G6B-2214P-1-US-AP1 DC24 BY OMZ | #N/A | #N/A | G6B-2214P-1-US-AP1 DC24 BY OMZ | #N/A | #N/A |
| G6B-2214P-1-US-P6B DC24 BY OMZ | #N/A | #N/A | G6B-2214P-1-US-P6B DC24 BY OMZ | #N/A | #N/A |
| G6B-2214P-1-US-XJ DC24 BY OMZ | #N/A | #N/A | G6B-2214P-1-US-XJ DC24 BY OMZ | #N/A | #N/A |
| G6B-2214P-FD-1-US DC24 BY OMZ | #N/A | #N/A | G6B-2214P-FD-1-US DC24 BY OMZ | #N/A | #N/A |
| G6B-2214P-FD-US DC12 BY OMZ | G6B 6061B | G6B2214PFDUS12DC | G6B-2214P-FD-US DC12 BY OMZ | G6B 6061B | G6B2214PFDUS12DC |
| G6B-2214P-FD-US DC12 BY OMZ/C | #N/A | #N/A | G6B-2214P-FD-US DC12 BY OMZ/C | #N/A | #N/A |
| G6B-2214P-FD-US DC24 BY OMZ | #N/A | #N/A | G6B-2214P-FD-US DC24 BY OMZ | #N/A | #N/A |
| G6B-2214P-FD-US DC24 BY OMZ/C | #N/A | #N/A | G6B-2214P-FD-US DC24 BY OMZ/C | #N/A | #N/A |
| G6B-2214P-FD-US DC5 BY OMZ | G6B 6062M | G6B2214PFDUS5DC | G6B-2214P-FD-US DC5 BY OMZ | G6B 6062M | G6B2214PFDUS5DC |
| G6B-2214P-FD-US DC5 BY OMZ/C | #N/A | #N/A | G6B-2214P-FD-US DC5 BY OMZ/C | #N/A | #N/A |
| G6B-2214P-FD-US DC6 BY OMZ | #N/A | #N/A | G6B-2214P-FD-US DC6 BY OMZ | #N/A | #N/A |
| G6B-2214P-FD-US-AP-CE DC24BYOMZ | #N/A | #N/A | G6B-2214P-FD-US-AP-CE DC24BYOMZ | #N/A | #N/A |
| G6B-2214P-FD-US-P6B DC12 BY OM | #N/A | #N/A | G6B-2214P-FD-US-P6B DC12 BY OM | #N/A | #N/A |
| G6B-2214P-FD-US-P6B DC24 BY OM | #N/A | #N/A | G6B-2214P-FD-US-P6B DC24 BY OM | #N/A | #N/A |
| G6B-2214P-FD-US-P6B DC5 BY OMZ | #N/A | #N/A | G6B-2214P-FD-US-P6B DC5 BY OMZ | #N/A | #N/A |
| G6B-2214P-FD-US-PI DC12 BY OMZ | #N/A | #N/A | G6B-2214P-FD-US-PI DC12 BY OMZ | #N/A | #N/A |
| G6B-2214P-FD-US-PI DC12BYOMZ/C | #N/A | #N/A | G6B-2214P-FD-US-PI DC12BYOMZ/C | #N/A | #N/A |
| G6B-2214P-FD-US-U DC12 BY OMZ | G6B 6082E | G6B2214PFDUSU12DC | G6B-2214P-FD-US-U DC12 BY OMZ | G6B 6082E | G6B2214PFDUSU12DC |
| G6B-2214P-FD-US-U DC24 BY OMZ | #N/A | #N/A | G6B-2214P-FD-US-U DC24 BY OMZ | #N/A | #N/A |
| G6B-2214P-FD-US-U DC5 BY OMZ | #N/A | #N/A | G6B-2214P-FD-US-U DC5 BY OMZ | #N/A | #N/A |
| G6B-2214P-US DC12 BY OMZ | G6B 6020E | G6B2214PUS12DC | G6B-2214P-US DC12 BY OMZ | G6B 6020E | G6B2214PUS12DC |
| G6B-2214P-US DC12 BY OMZ/C | #N/A | #N/A | G6B-2214P-US DC12 BY OMZ/C | #N/A | #N/A |
| G6B-2214P-US DC24 BY OMZ | G6B 6019A | G6B2214PUS24DC | G6B-2214P-US DC24 BY OMZ | G6B 6019A | G6B2214PUS24DC |
| G6B-2214P-US DC24 BY OMZ/C | #N/A | #N/A | G6B-2214P-US DC24 BY OMZ/C | #N/A | #N/A |
| G6B-2214P-US DC48 BY OMZ | #N/A | #N/A | G6B-2214P-US DC48 BY OMZ | #N/A | #N/A |
| G6B-2214P-US DC48 BY OMZ/C | #N/A | #N/A | G6B-2214P-US DC48 BY OMZ/C | #N/A | #N/A |
| G6B-2214P-US DC5 BY OMZ | G6B 6021C | G6B2214PUS5DC | G6B-2214P-US DC5 BY OMZ | G6B 6021C | G6B2214PUS5DC |
| G6B-2214P-US DC5 BY OMZ/C | #N/A | #N/A | G6B-2214P-US DC5 BY OMZ/C | #N/A | #N/A |
| G6B-2214P-US DC6 BY OMZ | #N/A | #N/A | G6B-2214P-US DC6 BY OMZ | #N/A | #N/A |
| G6B-2214P-US DC6 BY OMZ/C | #N/A | #N/A | G6B-2214P-US DC6 BY OMZ/C | #N/A | #N/A |
| G6B-2214P-US DC9 BY OMZ | G6B 6076M | G6B2214PUS9DC | G6B-2214P-US DC9 BY OMZ | G6B 6076M | G6B2214PUS9DC |
| G6B-2214P-US-AP DC24 BY OMZ | #N/A | #N/A | G6B-2214P-US-AP DC24 BY OMZ | #N/A | #N/A |
| G6B-2214P-US-P6B DC12 BY OMZ | #N/A | #N/A | G6B-2214P-US-P6B DC12 BY OMZ | #N/A | #N/A |
| G6B-2214P-US-P6B DC12 BY OMZ/C | #N/A | #N/A | G6B-2214P-US-P6B DC12 BY OMZ/C | #N/A | #N/A |
| G6B-2214P-US-P6B DC24 BY OMZ | #N/A | #N/A | G6B-2214P-US-P6B DC24 BY OMZ | #N/A | #N/A |
| G6B-2214P-US-P6B DC24 BY OMZ/C | #N/A | #N/A | G6B-2214P-US-P6B DC24 BY OMZ/C | #N/A | #N/A |
| G6B-2214P-US-P6B DC48 BY OMZ | #N/A | #N/A | G6B-2214P-US-P6B DC48 BY OMZ | #N/A | #N/A |
| G6B-2214P-US-P6B DC5 BY OMZ | #N/A | #N/A | G6B-2214P-US-P6B DC5 BY OMZ | #N/A | #N/A |

| | | | | | |
|------------------------------|-----------|-----------------|------------------------------|-----------|-----------------|
| G6B-2214P-US-P6B DC6 BY OMZ | #N/A | #N/A | G6B-2214P-US-P6B DC6 BY OMZ | #N/A | #N/A |
| G6B-2214P-US-P6B DC9 BY OMZ | #N/A | #N/A | G6B-2214P-US-P6B DC9 BY OMZ | #N/A | #N/A |
| G6B-2214P-US-U DC12 BY OMZ | #N/A | #N/A | G6B-2214P-US-U DC12 BY OMZ | #N/A | #N/A |
| G6B-2214P-US-U DC12 BY OMZ/C | #N/A | #N/A | G6B-2214P-US-U DC12 BY OMZ/C | #N/A | #N/A |
| G6B-2214P-US-U DC24 BY OMZ | #N/A | #N/A | G6B-2214P-US-U DC24 BY OMZ | #N/A | #N/A |
| G6B-2214P-US-U DC24 BY OMZ/C | #N/A | #N/A | G6B-2214P-US-U DC24 BY OMZ/C | #N/A | #N/A |
| G6B-2214P-US-U DC5 BY OMZ | #N/A | #N/A | G6B-2214P-US-U DC5 BY OMZ | #N/A | #N/A |
| G6B-2214P-US-U DC6 BY OMZ | #N/A | #N/A | G6B-2214P-US-U DC6 BY OMZ | #N/A | #N/A |
| G6BU-2114P-1-US DC3 BY OMZ | G6BK6006R | G6BU2114P1US3DC | G6BU-2114P-1-US DC3 BY OMZ | G6BK6006R | G6BU2114P1US3DC |
| XM2E-0940-112L | XM2E0009H | XM2E0940112L | XM2E-0940-112L | XM2E0009H | XM2E0940112L |
| XM2E-0940-132L | XM2E0004G | XM2E0940132L | XM2E-0940-132L | XM2E0004G | XM2E0940132L |
| XM2E-0940-502L | XM2E0001B | XM2E0940502L | XM2E-0940-502L | XM2E0001B | XM2E0940502L |
| XM2E-0940-L | XM2E0010A | XM2E0940-L | XM2E-0940-L | XM2E0010A | XM2E0940-L |
| XM2E-1540-112L | XM2E0006C | XM2E1540112L | XM2E-1540-112L | XM2E0006C | XM2E1540112L |
| XM2E-1540-132L | XM2E0007A | XM2E1540132L | XM2E-1540-132L | XM2E0007A | XM2E1540132L |
| XM2E-1540-502L | XM2E0005E | XM2E1540502L | XM2E-1540-502L | XM2E0005E | XM2E1540502L |
| XM2E-1540-L | XM2E0012H | XM2E1540-L | XM2E-1540-L | XM2E0012H | XM2E1540-L |
| XM2E-2540-112L | XM2E0008M | XM2E2540112L | XM2E-2540-112L | XM2E0008M | XM2E2540112L |
| XM2E-2540-132L | XM2E0003R | XM2E2540132L | XM2E-2540-132L | XM2E0003R | XM2E2540132L |
| XM2E-2540-502L | XM2E0002M | XM2E2540502L | XM2E-2540-502L | XM2E0002M | XM2E2540502L |
| XM2E-2540-L | XM2E0017R | XM2E2540-L | XM2E-2540-L | XM2E0017R | XM2E2540-L |
| XM2F-0940-112L | XM2F0026B | XM2F0940112L | XM2F-0940-112L | XM2F0026B | XM2F0940112L |
| XM2F-0940-132L | XM2F0027M | XM2F0940132L | XM2F-0940-132L | XM2F0027M | XM2F0940132L |
| XM2F-0940-212L | XM2F0034C | XM2F0940212L | XM2F-0940-212L | XM2F0034C | XM2F0940212L |
| XM2F-0940-502L | XM2F0025D | XM2F0940502L | XM2F-0940-502L | XM2F0025D | XM2F0940502L |
| XM2F-0940-L | #N/A | #N/A | XM2F-0940-L | #N/A | #N/A |
| XM2F-1540-112L | XM2F0024F | XM2F1540112L | XM2F-1540-112L | XM2F0024F | XM2F1540112L |
| XM2F-1540-132L | XM2F0028R | XM2F1540132L | XM2F-1540-132L | XM2F0028R | XM2F1540132L |
| XM2F-1540-212L | XM2F0035A | XM2F1540212L | XM2F-1540-212L | XM2F0035A | XM2F1540212L |
| XM2F-1540-502L | XM2F0012B | XM2F1540502L | XM2F-1540-502L | XM2F0012B | XM2F1540502L |
| XM2F-1540-L | XM2F0047E | XM2F1540-L | XM2F-1540-L | XM2F0047E | XM2F1540-L |
| XM2F-2540-112L | XM2F0013M | XM2F2540112L | XM2F-2540-112L | XM2F0013M | XM2F2540112L |
| XM2F-2540-132L | XM2F0030M | XM2F2540132L | XM2F-2540-132L | XM2F0030M | XM2F2540132L |
| XM2F-2540-212L | XM2F0037H | XM2F2540212L | XM2F-2540-212L | XM2F0037H | XM2F2540212L |
| XM2F-2540-232L | XM2F0033E | XM2F2540232L | XM2F-2540-232L | XM2F0033E | XM2F2540232L |
| XM2F-2540-502L | XM2F0029G | XM2F2540502L | XM2F-2540-502L | XM2F0029G | XM2F2540502L |
| XM2F-2540-L | #N/A | #N/A | XM2F-2540-L | #N/A | #N/A |
| XM4L-1541-112 | XM4L0008H | XM4L1541112 | XM4L-1541-112 | XM4L0008H | XM4L1541112 |
| XM4L-1541-132 | XM4L0004E | XM4L1541132 | XM4L-1541-132 | XM4L0004E | XM4L1541132 |
| XM4L-1541-502 | XM4L0003G | XM4L1541502 | XM4L-1541-502 | XM4L0003G | XM4L1541502 |