

Modifications Notices

Board to Cable Connectors

Issue Date
June 1, 2017

No. 2017074AE(ON)

Change of appearance for printing quality improvement of model XN2A/B series.

[Effective Date]

Effective as of our production in January, 2018.

[Applicable Model]

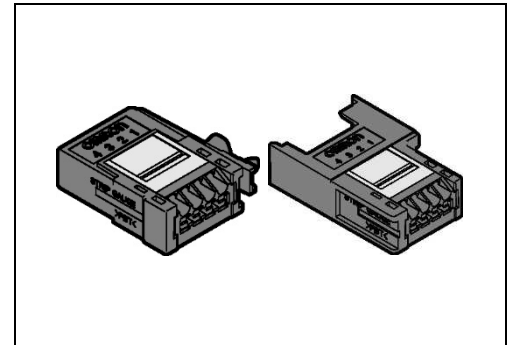
Model XN2A series

Model XN2B series

< Refer to the "[Details of applicable model]" . >

[Reason for change]

Quality improvement.



[Change of products specification]

Unnecessary

[Changes]

Before the change	After the change
<p>Printing method of lot number Printing method: Stamp ink.</p> <p>Ex. XN2A Ex. XN2B</p>	<p>Printing method of lot number Printing method: Laser</p> <p>Ex. XN2A Ex. XN2B</p>

[Details of applicable model]

Models
XN2A-1370
XN2A-1430
XN2A-1470
XN2A-1570

Models
XN2A-1670
XN2A-1870
XN2B-1430
XN2B-1470

**This document had been distributed by Omron Electronic Components Europe BV.*

Specifications in this product news are as of the issue date and are subject to change without notice. Only main changes in specifications are described in this document. Please be sure to read the relevant catalogs, datasheets, product specifications, instructions, and manuals for precautions and necessary information when using products.