



## Product Change Notification – 2021/04

Product Line:	<b>M Jacks</b>	Part No:	<b>NMJ*H*</b>
---------------	----------------	----------	---------------

Piece Part:	Housing and Contact	Part No:	-
-------------	---------------------	----------	---

Engineering Change Request:	2020-0351 2020-0352 2020-0353 2020-0354 2020-0355 2020-0356 2020-0359	Date:	22 Feb. 2021
-----------------------------	---	-------	--------------

Comments:	Material upgrade UL94 HB to UL94 V-0
-----------	--------------------------------------

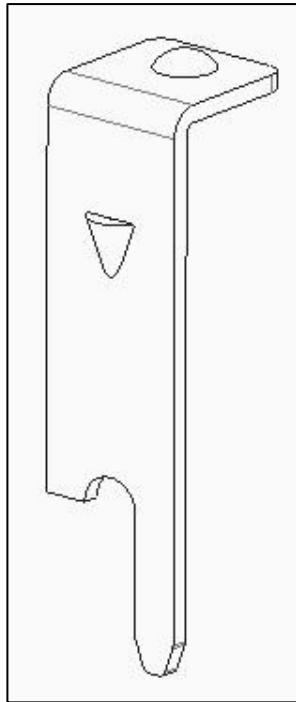
Affected products:	NMJ2HC-S NMJ2HF-S NMJ3HF-S NMJ4HCD2 NMJ4HCD2-TWO NMJ4HC-S NMJ4HFD2 NMJ4HFD2-NW NMJ4HFD3 NMJ4HF-S NMJ4HHD2 NMJ5HCD2-NW NMJ6HCD2 NMJ6HCD2-NW NMJ6HCD2-RM NMJ6HCD2-SM NMJ6HCD3 NMJ6HC-S NMJ6HFD2 NMJ6HFD2-AU NMJ6HFD2-NW NMJ6HFD3 NMJ6HF-S NMJ6HHD2 NMJHHD2
--------------------	--

First shipment of modified product:	N50
-------------------------------------	-----

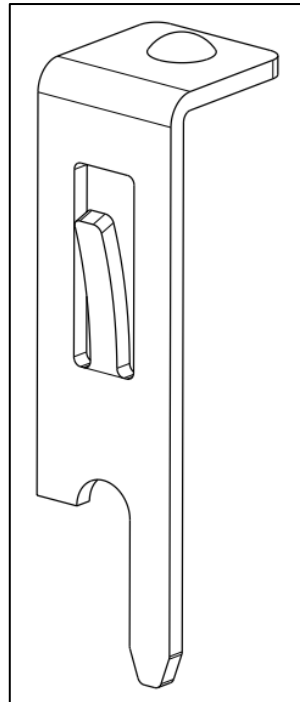


## Engineering Change Notice

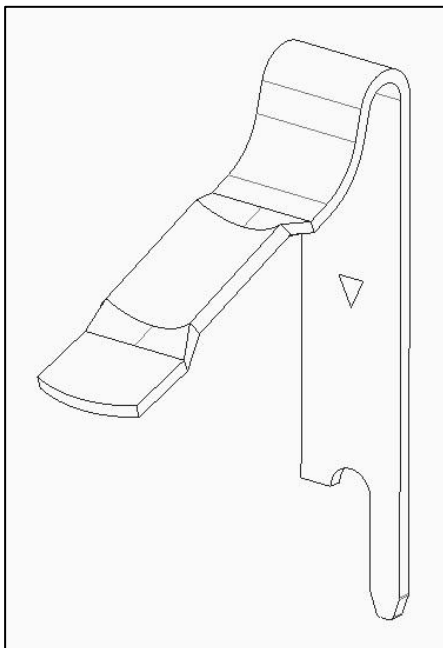
Due to the new IEC 62368-1 standard the Neutrik Stacking Jacks have been modified. To ensure the compliance according to this new standard, the material has been changed from UL94 HB to UL94 V-0 classification. Because of slight different material properties also the contacts were changed to ensure robustness and durability.



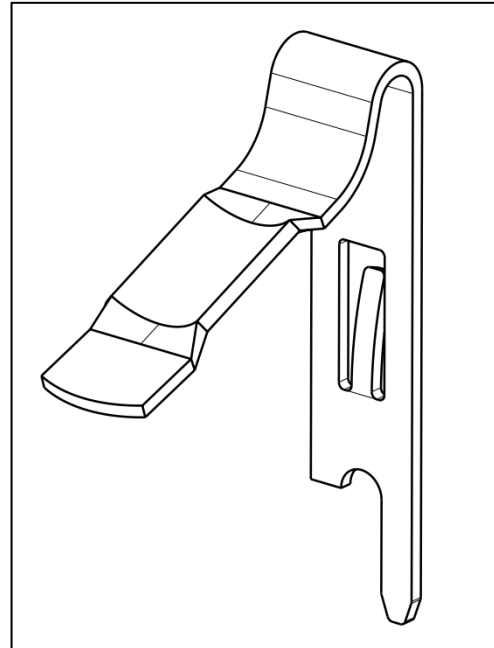
*old*



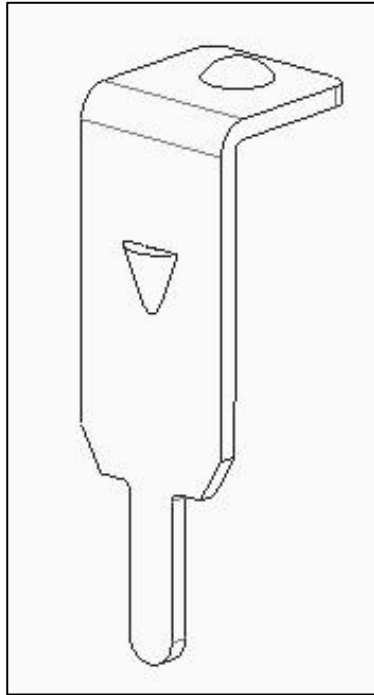
*new*



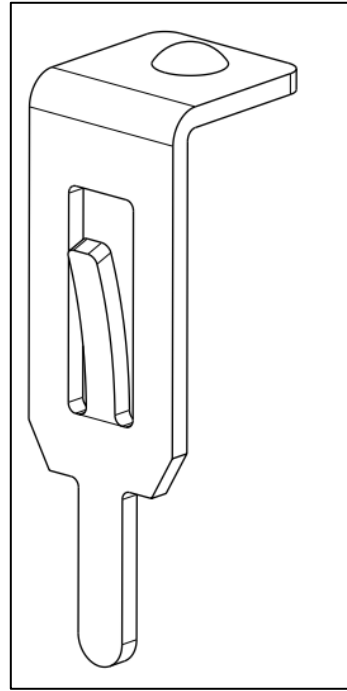
*old*



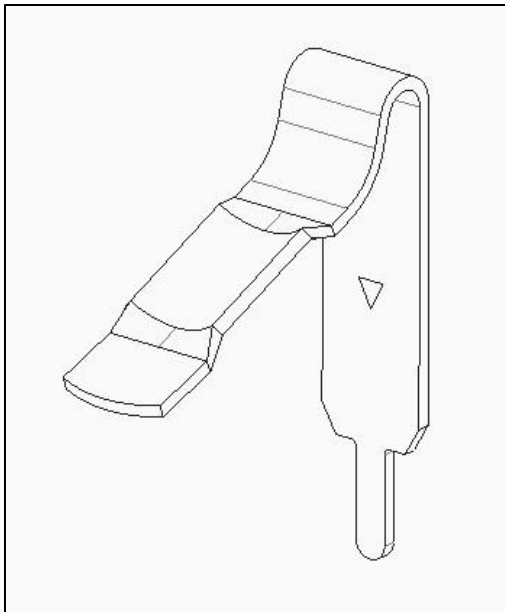
*new*



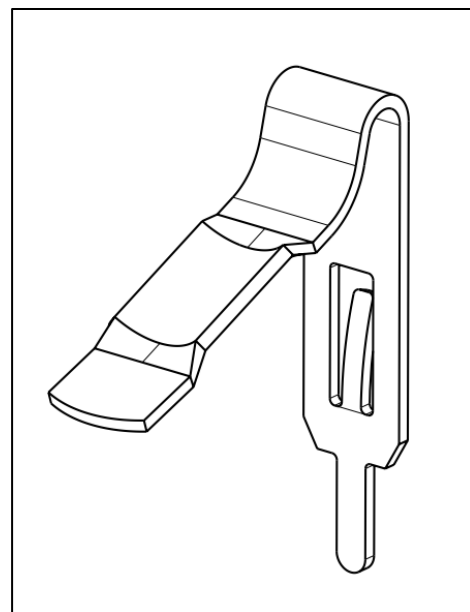
old



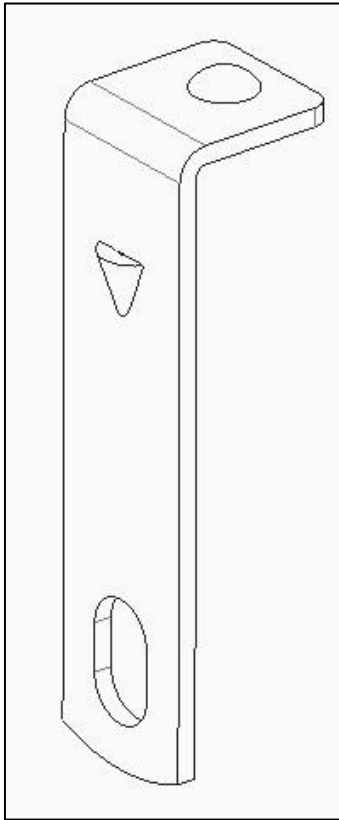
new



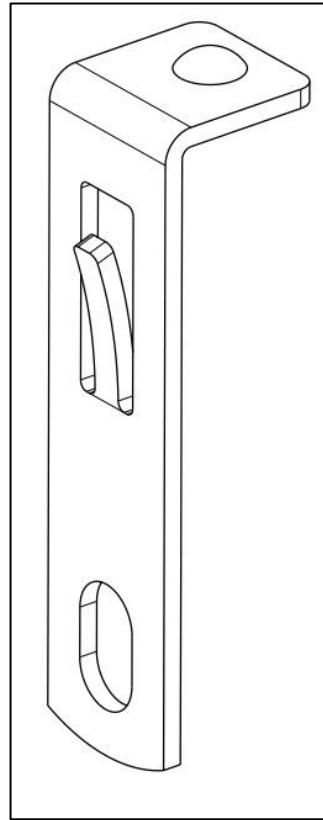
old



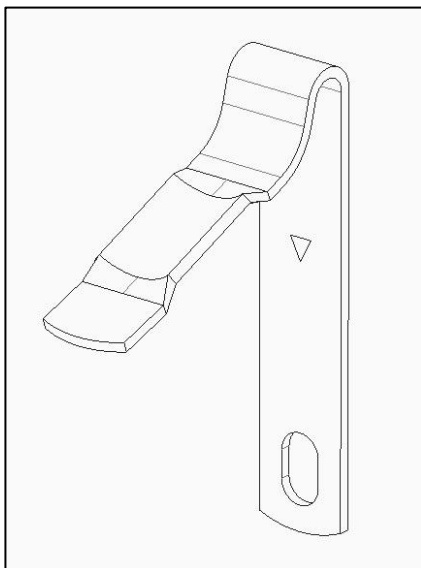
new



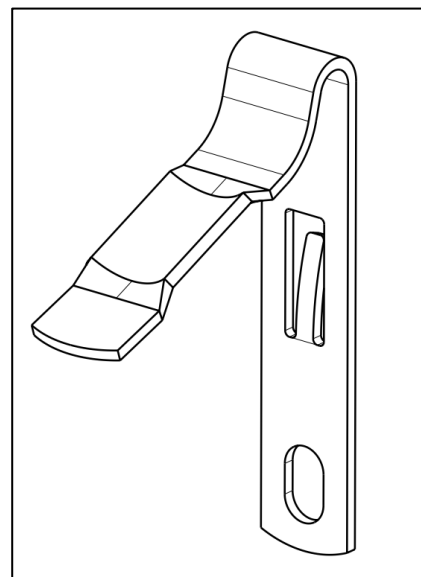
*old*



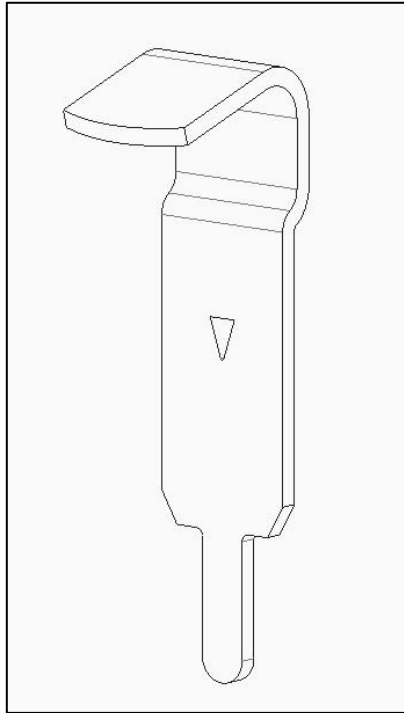
*new*



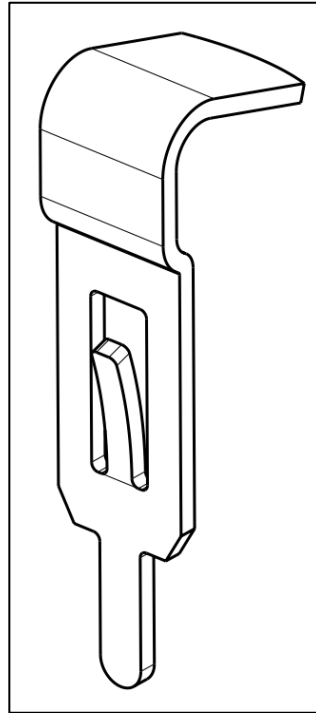
*old*



*new*



*old*



*new*