

NZ2520S Series

Low Phase Noise Type

Model name

NZ2520SD Overall frequency tolerance of $\pm 50 \times 10^{-6}$.

Application

- For wireless LAN



Pb Free

RoHS Compliant
Directive 2011/65/EU

Features

- Low phase noise, low voltage, low consumption current, and high stability, make this product ideal for wireless LAN.
- Compact and light. Dimensions : 2.5 x 2.0 x 0.9 mm, weight : 0.02 g.
- Automatic mounting by taping and IR reflow (lead-free) are possible.
- Lead-free.

Absolute maximum rating
Supply voltage (V_{DD}) -0.6 to $+6.0$ V
Storage temperature range -55 to $+125$ °C

Specifications

Item		Model	NZ2520SD						
Output level			CMOS						
Nominal frequency range *1		(MHz)	$1.5 \leq F < 10$	$10 \leq F < 20$	$20 \leq F < 30$	$30 \leq F \leq 40$	$40 < F < 50$	$50 \leq F \leq 60$	
Operating temperature range *2		(°C)	-10 to $+70$						
Overall frequency tolerance		($\times 10^{-6}$)	± 50						
Current consumption max	During operation	+1.8 V, 25 °C	(mA)	1.8	2.1	2.5	3.5	4.0	4.5
		+2.5 V, 25 °C		2.5	3.0	3.5	4.5	5.0	5.5
		+2.8 V, 25 °C		3.0	3.5	4.0	5.0	5.5	6.5
		+3.3 V, 25 °C		3.5	4.0	4.5	5.5	6.0	6.5
	During standby	+1.8 V to +3.3 V, 25 °C	(μ A)	10					
$V_{OL\ max}/V_{OH\ min}$		(V)	$0.1 V_{DD}/0.9 V_{DD}$						
$T_r\ max/T_f\ max$		(ns)	6/6						
Symmetry min. to max.		(%)	45 to 55						
Load (C_L) max		(pF)	15						
Start-up time max		(ms)	4						
Standby function			Available (tristate)						
Phase noise	+1.8 V, 25 °C	(dBc/Hz)	Fout \pm 1 kHz : -143 (Typ) Fout \pm 100 kHz : -156 (Typ)						
	+2.5 to +3.3 V, 25 °C		Fout \pm 1 kHz : -145 (Typ) Fout \pm 100 kHz : -158 (Typ)						

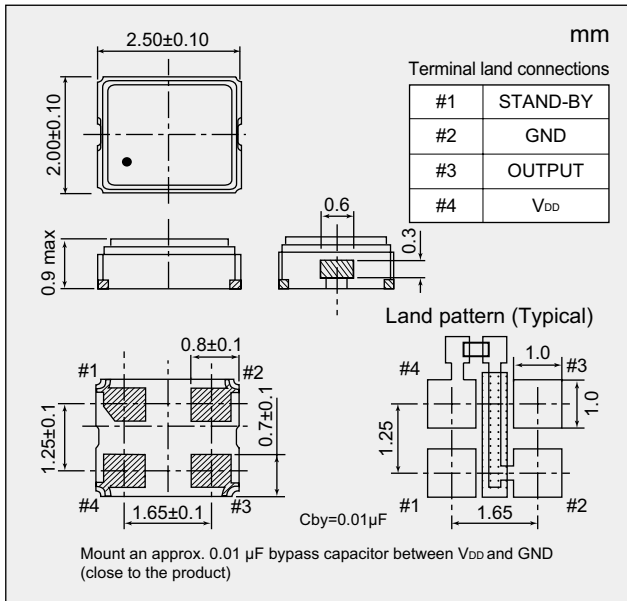
*1: If you require a product with a frequency not given above, please contact us.

*2: If you require a product with an operating temperature range not given above, please contact us.

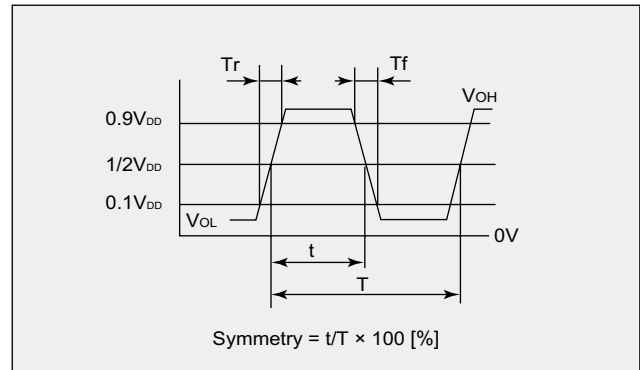
List of Codes for Placing an Order

List of Codes for Placing an Order (The purchase order number differs according to the difference in supply voltage.)		NSA3446B	NSA3447B	NSA3448B	NSA3449B
Supply voltage (V_{DD})	(V)	$+1.8 \pm 0.18$	$+2.5 \pm 0.25$	$+2.8 \pm 0.28$	$+3.3 \pm 0.33$

■ Dimensions



■ Output Waveform <CMOS>



■ Standby Function

#1 Input	#3 Output
Level H ($0.7 V_{DD} \leq V_{IH} \leq V_{DD}$) or OPEN is selected.	Oscillation output ON
Level L ($V_{IL} \leq 0.3 V_{DD}$) is selected.	High impedance

■ How to Specify an Order

When ordering our products, specify them with an "Ordering Code" that consists of the following:

Model name – Frequency (up to 9 digits) M – Number for specifying an order

Example 1: When ordering a product with model name: NZ2520SD, frequency: 20 MHz, overall frequency tolerance: $\pm 50 \times 10^{-6}$, and supply voltage: 1.8 V

Ordering Code: NZ2520SD – 20.000000M – NSA3446B

Example 2: When ordering a product with model name: NZ2520SD, frequency: 20 MHz, overall frequency tolerance: $\pm 50 \times 10^{-6}$, and supply voltage: 3.3 V

Ordering Code: NZ2520SD – 20.000000M – NSA3449B

If you have any queries concerning our standard frequencies and numbers for specifying orders, please contact our sales representatives or visit our homepage (<http://www.ndk.com/>).