

NX2012SA

For OA / AV / Mobile Communications

■ Features

Compact, thin, and light weight tuning fork crystal unit.

- Compact and thin. (2.0×1.2×0.55mm)
- Excellent electric performance optimum for mobile communications, OA (office automation) and AV (audiovisual) applications are exhibited.
- A surface-mount crystal oscillator. (Reflow soldering is possible.)
- RoHS compliant. These can meet the requirements of re-flow profiling using leadfree solder.



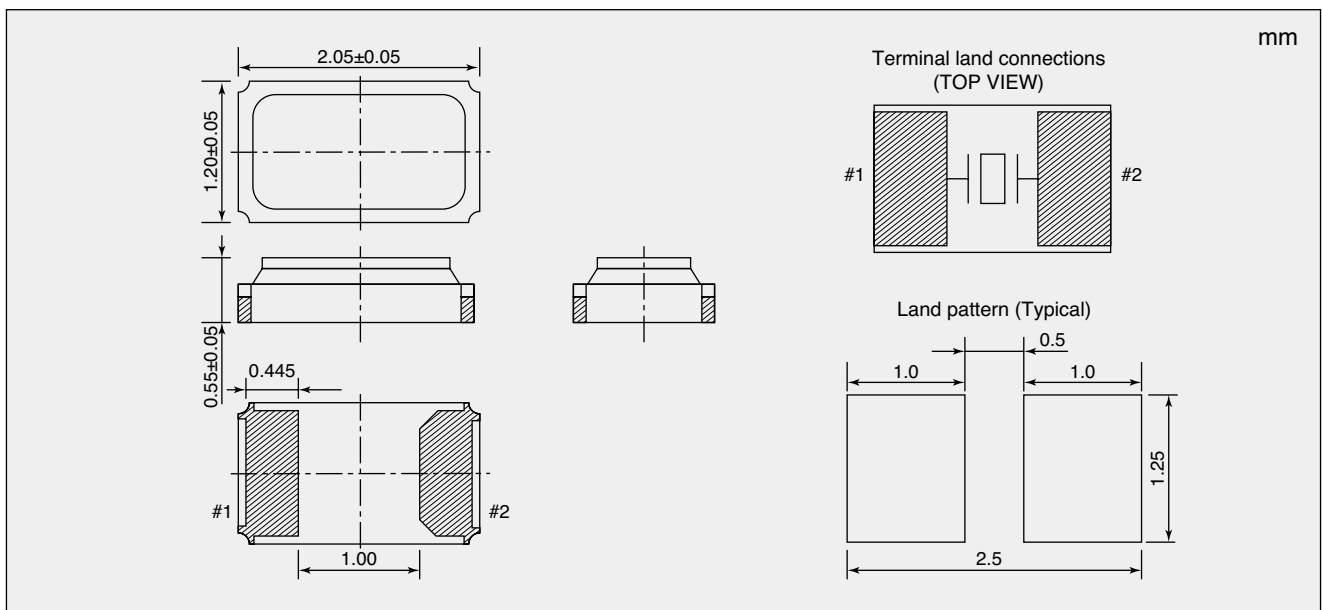
Pb Free

RoHS Compliant
Directive 2011/65/EU
Directive (EU) 2015/863

■ Specifications

Item	Model	NX2012SA		
Nominal Frequency		32.768kHz		
Operating Temperature Range		-40 to +85°C		
Storage Temperature Range		-40 to +85°C		
Level of Drive		0.1μW (0.5μW Max.)		
Frequency Tolerance (25 ±3 °C)		±20 × 10 ⁻⁶		
Turning Point		+25°C ± 5°C		
Temperature Coefficient		-0.04 × 10 ⁻⁶ /°C ² Max.		
Load Capacitance		6.0pF	9.0pF	12.5pF
Equivalent Series Resistance		80kΩ Max.		
Shunt Capacitance		1.3pF typ./ 1.5pF Max.		
Insulation Resistance		500MΩ Min.		
Specifications Number		STD-MUB-3	STD-MUB-2	STD-MUB-1

■ Dimensions



Please specify the model name, frequency, and specification number when you order products.
For further questions regarding specifications, please feel free to contact us.