

Crystal Clock Oscillator

NZ2520SH

Standard Type

Application

For Automotive navigation system, Automotive audio equipment and Camera
 For Smartphone, Tablet computers, Notebook PC, PC card, etc.
 For Audioequipment and Wireless module
 For Communication equipment for SDH/SONET, WiMAX, LTE, etc. and Base station

Features

- Supports a wide temperature range from -40 to $+125^{\circ}\text{C}$.
- Compact and light. Dimensions : $2.5 \times 2.0 \times 0.9$ mm, weight : 0.02 g.
- This crystal clock oscillator can support low frequencies (from 1.5MHz) not easily achieved with crystal units of the same size.
- Supports a wide frequency range (80 to 170MHz).
- Taped units enable automatic mounting IR Reflow (lead free) is possible.
- Lead-free.
- Conforms to AEC-Q100/200.



Pb Free

RoHS Compliant
 Directive 2011/65/EU

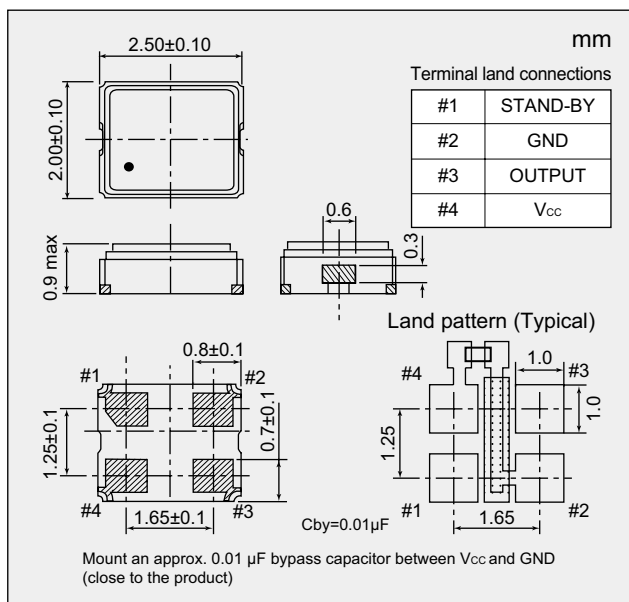
Absolute maximum rating
 Supply Voltage (V_{CC}) -0.3 to $+4.0$ V
 Storage Temperature Range -55 to $+125^{\circ}\text{C}$

Specifications

Item		Model	NZ2520SH	
Output Specification			CMOS	
Nominal Frequency Range		(MHz)	$1.5 \leq F \leq 80$	$80 < F \leq 170$ (*1)
Overall Frequency Tolerance		($\times 10^{-6}$)	± 100 to ± 20 (*2)	
Operating Temperature Range		($^{\circ}\text{C}$)	$[-40$ to $+125]$ to $[-10$ to $+60]$ (*2)	
Supply Voltage		(V)	$+1.8$ to $+3.3$ (*1)	
Current Consumption Max.	During Operation	$+25^{\circ}\text{C}$	(mA)	2.5 to 9.0
	During Standby	$+25^{\circ}\text{C}$	(μA)	9.5 to 38.0
V _{OL} Max. / V _{OH} Min.		(V)	20	
Tr Max. / Tf Max.	$+1.8$ V $+2.5$ to $+3.3$ V	(ns)	0.1 V _{CC} / 0.9 V _{CC}	
			0.2 V _{CC} / 0.8 V _{CC}	
Symmetry Min. to Max.		(%)	6 / 6 (at 0.1 V _{CC} to 0.9 V _{CC}) 5 / 5 (at 0.1 V _{CC} to 0.9 V _{CC})	
Load (C _L) Max.		(pF)	45 to 55	
Start-up Time Max.		(ms)	15	
Standby function			4	
			Available (Three-state)	

*1. Supply Voltage : $+2.5$ to $+3.3$ V (131 to 170MHz)

Dimensions



Standby Function

#1 Input	#3 Output
Level H ($0.7 V_{CC} \leq V_{IH} \leq V_{CC}$) or OPEN is selected.	Oscillation output ON
Level L ($V_{IL} \leq 0.3 V_{CC}$) is selected.	High impedance

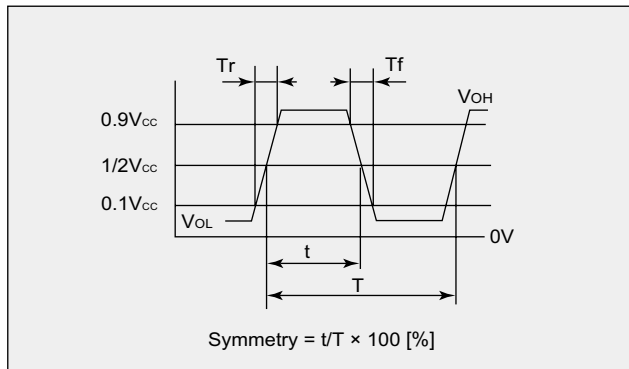
Crystal Clock Oscillator

NZ2520SH

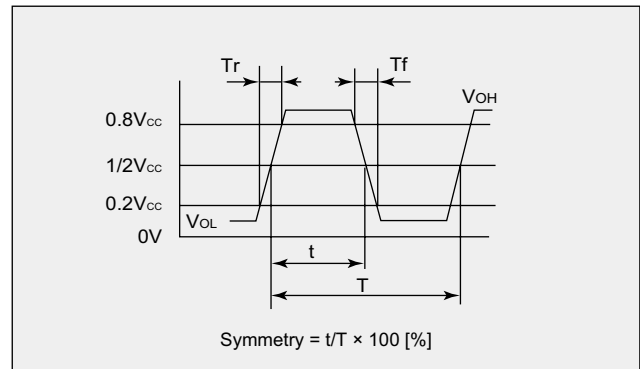
Standard Type

Output Waveform <CMOS>

Frequency Range : $1.5 \leq F \leq 80\text{MHz}$



Frequency Range : $80 < F \leq 170\text{MHz}$



Specification Number

Frequency Range : $1.5 \leq F \leq 80\text{MHz}$

(*2) Overall Frequency Tolerance	(*2) Operating Temperature Range (°C)	Supply Voltage (V)			
		+1.8±0.18	+2.5±0.25	+3.0±0.3	+3.3±0.33
±100×10 ⁻⁶	-40 to +125	NSA3579A	NSA3579B	NSA3579C	NSA3579D
±50×10 ⁻⁶	-40 to +105	NSC5004A	NSC5004B	NSC5004C	NSC5004D
±50×10 ⁻⁶	-40 to +85	NSC5005A	NSC5005B	NSC5005C	NSC5005D
±30×10 ⁻⁶	-10 to +70	NSC5007A	NSC5007B	NSC5007C	NSC5007D
±20×10 ⁻⁶	-10 to +60	NSC5008A	NSC5008B	NSC5008C	NSC5008D

Frequency Range : $80 < F \leq 170\text{MHz}$

(*2) Overall Frequency Tolerance	(*2) Operating Temperature Range (°C)	Supply Voltage (V)			
		+1.8±0.18	+2.5±0.25	+3.0±0.3	+3.3±0.33
±100×10 ⁻⁶	-40 to +125	NSC5171A	NSC5171B	NSC5171C	NSC5171D
±50×10 ⁻⁶	-40 to +105	NSC5172A	NSC5172B	NSC5172C	NSC5172D
±50×10 ⁻⁶	-40 to +85	NSC5009A	NSC5009B	NSC5009C	NSC5009D
±30×10 ⁻⁶	-10 to +70	NSC5011A	NSC5011B	NSC5011C	NSC5011D
±20×10 ⁻⁶	-10 to +60	NSC5012A	NSC5012B	NSC5012C	NSC5012D

Please specify the model name, frequency, and specification number when you order products.

For further questions regarding specifications, please feel free to contact us.