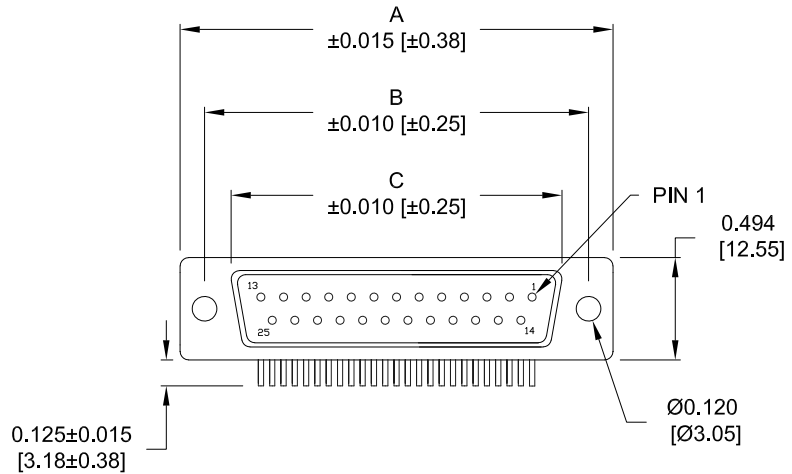
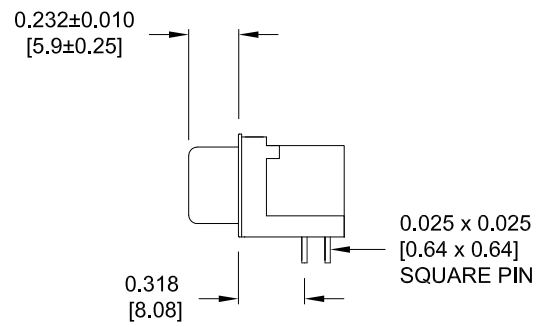


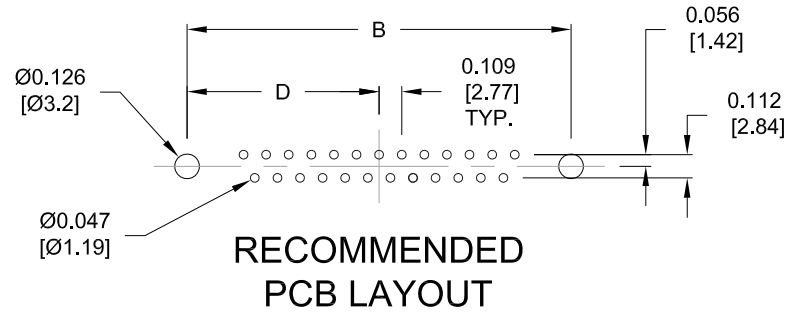
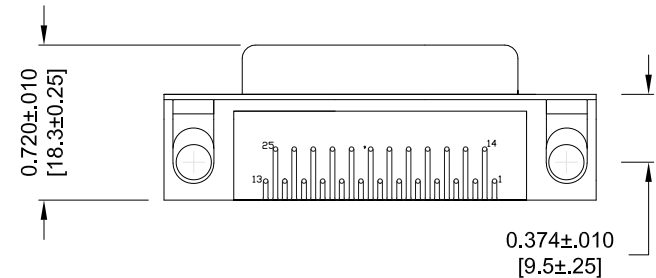
DESCRIPTION: R/A - 0.318 - FEMALE - ECONOMY - D SUB



25-PIN SHOWN



No. OF PINS	DIMENSIONS			
	A	B	C	D
009	1.213	0.984	0.642	0.492
	30.81	24.99	16.30	12.50
015	1.541	1.312	0.970	0.656
	39.14	33.32	24.65	16.66
025	2.088	1.852	1.512	0.926
	53.04	47.04	38.40	23.52
037	2.729	2.500	2.157	1.250
	69.32	63.50	54.80	31.75



182-YYY-2 1 3RYY 1

SERIES _____
 No. of POSITIONS _____
 GENDER _____
 2 = FEMALE
 TERMINATION _____
 1 = PC MOUNT
 SHELL PLATING _____
 3 = NICKEL
 HARDWARE OPTIONS _____
 SEE PAGE 2
 PLATING OPTIONS _____
 1 = GOLD FLASH
 2 = 30u" GOLD

MATERIAL:

- SHELL: SPCC, NICKEL PLATED
- INSULATOR: UL 94V-O RATED, BLACK, 260° PA9T
- CONTACT: BRASS, GOLD PLATED
- RIVET: COPPER ALLOY, NICKEL PLATED
- SCREWLOCK: ZINC ALLOY, NICKEL PLATED
- BOARDLOCK: SPCC, TIN PLATED

ELECTRICAL:

- WORKING VOLTAGE: 300 V
- CURRENT RATING: 5 AMPS MAX
- DIELECTRIC STRENGTH: 1,000VAC rms
- INSULATION RESISTANCE: 1,000 MOHMS MIN
- CONTACT RESISTANCE: 15 mOHM MAX
- TEMPERATURE: -55°C TO +105°C

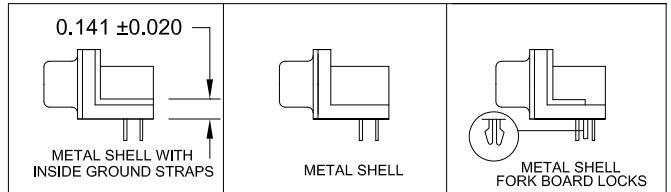
RoHS COMPLIANT

GENERAL TOLERANCES
 ±0.006 [0.15]
 HOLE : ±0.005 [0.13]

DO NOT SCALE FROM DRAWING

	THESE DRAWINGS AND SPECIFICATIONS ARE THE PROPERTY OF NorComp AND SHALL NOT BE REPRODUCED, COPIED OR USED AS THE BASIS FOR THE MANUFACTURE OF SALE OF APPARATUS WITHOUT WRITTEN PERMISSION.		DRAWN: PAM JENKINS	DATE: 03-17-05
	<h1>NorComp</h1>		SCALE: NTS	SHEET OF 1 2
			DWG NO. 182-YYY-213RYY1	

DESCRIPTION: R/A - 0.318 - FEMALE - ECONOMY - D SUB



HEX SCREW REFERENCE DIMENSIONS:
4.8mm HEAD
6.9mm THREAD LENGTH

HEX SCREW REFERENCE DIMENSIONS:
5.8mm HEAD
6.9mm THREAD LENGTH

.120" DIA. HOLE	16	43	55
4-40 FLUSH INSERT	17	45	53 BOARD LOCKS IN HOLE
4-40 HEX STANDOFF FEMALE SCREWLOCK	18	48	56 BOARD LOCKS IN HOLE
4-40 HEX STANDOFF FEMALE SCREWLOCK	N/A	N/A	58 BOARD LOCKS IN HOLE
4-40 ROUND STANDOFF FEMALE SCREWLOCK	N/A	N/A	N/A

DO NOT SCALE FROM DRAWING



THESE DRAWINGS AND SPECIFICATIONS ARE THE PROPERTY OF NorComp AND SHALL NOT BE REPRODUCED, COPIED OR USED AS THE BASIS FOR THE MANUFACTURE OF SALE OF APPARATUS WITHOUT WRITTEN PERMISSION.

DRAWN: PAM JENKINS DATE: 03-17-05

NorComp

SCALE: NTS SHEET 2 OF 2 REV 15

DWG NO. 182-YYY-213RYY1

RoHS COMPLIANT