

04020VA (1608VL)

DC Axial Fan

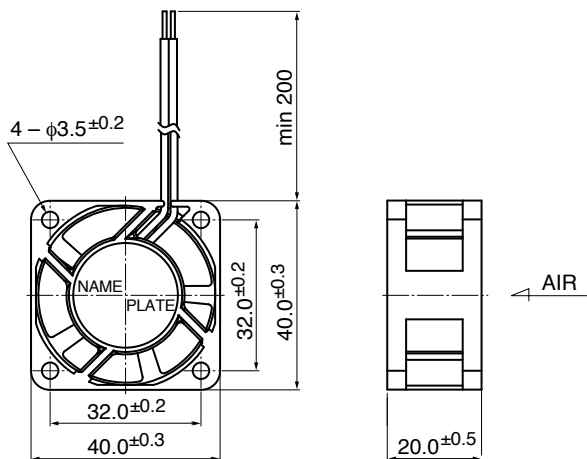
40[□]X20^L



General Specifications

Motor Protection : Auto Restart / Polarity Protection
 Insulation Resistance : 10MΩ or over with a DC500V Megger
 Dielectric Withstand Voltage : AC700V 1s
 : -10°C ~ + 70°C (Operating)
 Allowable Ambient Temperature Range : -40°C ~ + 70°C (Storage)
 : non-condensing environment

Outline



Expected Life

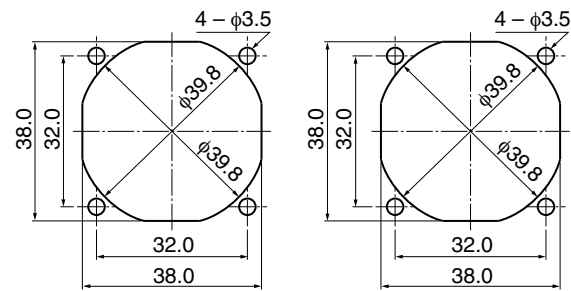
※ Failure Rate: 10% (L10 Life)

60°C 40,000 (Hours)

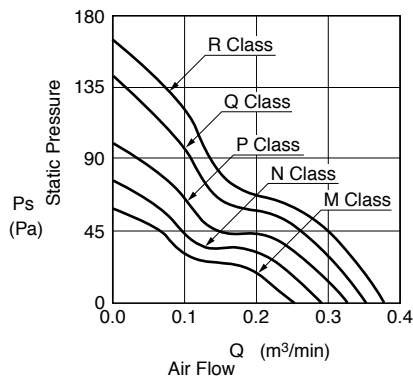
Panel Out-cuts

(Inlet Side)

(Outlet Side)



Characteristic Curves



Material

Casing : Plastic (Black) UL94V-0
 Impeller : Plastic (Black) UL94V-0
 Bearing : Ball Bearing
 Lead Wire : UL1007 AWG26 + : Red, - : Black

Customize service for IP compatible type and Oil-proof type is available for this item. Please contact to our sales representative for more detail.

Specifications

Model	Product No.	Rating Voltage	Operating Voltage	Current	Input Power	Speed	Max. Air Flow		Max. Static Pressure		Noise	Mass
		(V)	(V)	(A)*1	(W)*1	(min ⁻¹)*1	(m ³ /min)*1	(CFM)*1	(Pa)*1	(In H ₂ O)*1	(dB)*1	(g)
04020VA-12M-AA-	00	12	7.0 ~ 13.2	0.085	1.02	7500	0.25	8.8	58.8	0.24	29.0	40
04020VA-12N-AA-	00			0.11	1.32	8500	0.29	10.2	76.6	0.31	32.5	
04020VA-12P-AA-	00			0.13	1.56	9500	0.32	11.3	99.3	0.40	37.0	
04020VA-12Q-AA-	00			0.21	2.52	11000	0.35	12.4	142.0	0.57	42.0	
04020VA-12R-AA-	00			0.18	2.16	12000	0.38	13.4	165.0	0.66	46.0	
04020VA-24M-AA-	00	24	14.0 ~ 26.4	0.05	1.20	7500	0.25	8.8	58.8	0.24	29.0	
04020VA-24N-AA-	00			0.07	1.68	8500	0.29	10.2	76.6	0.31	32.5	
04020VA-24P-AA-	00			0.10	2.40	9500	0.32	11.3	99.3	0.40	37.0	
04020VA-24Q-AA-	00			0.11	2.64	11000	0.35	12.4	142.0	0.57	42.0	
04020VA-24R-AA-	00			0.11	2.64	11000	0.35	12.4	142.0	0.57	42.0	

Rotation: Clockwise as seen from the label side
 Airflow Outlet: Label side

*1: Average Values in Free Air

General Specifications

Motor Protection:

Auto Restart/Polarity Protection

Insulation Resistance:

10M Ω or over with a DC500V Megger

Dielectric Withstand Voltage: AC 700V 1s

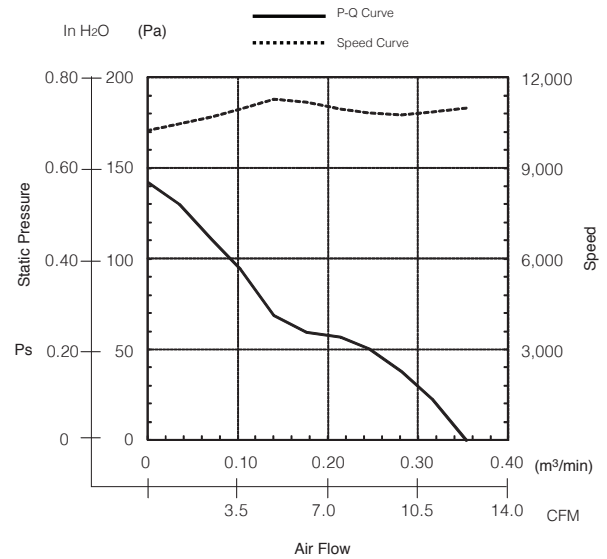
Allowable Ambient Temperature Range:

-10°C ~ +70°C (Operating)

-40°C ~ +70°C (Storage)

IP Code: IP69K

Characteristic Curves



Expected Life

25°C 100,000 Hours (L10)

Material

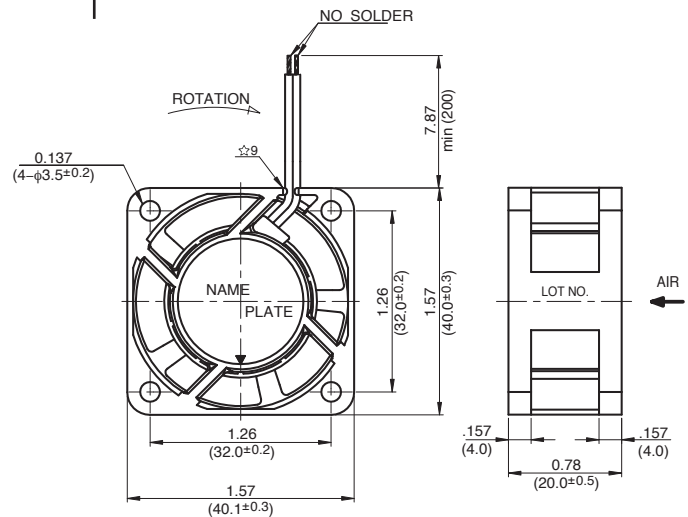
Casing : Plastic (Black) UL94V-0

Impeller : Plastic (Black) UL94V-0

Bearing : Ball Bearing

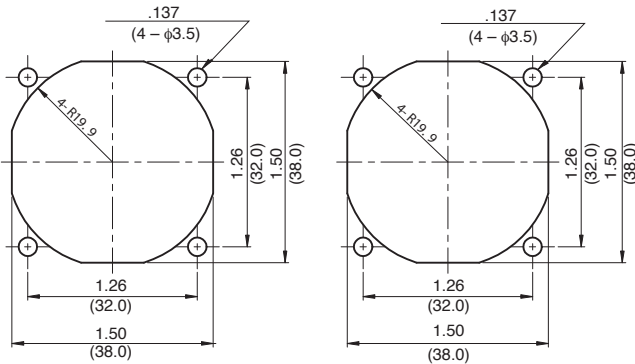
Lead Wire : UL3385, AWG26, +Red, -Black

Outline



Panel Cut-Outs

Units: $\frac{\text{inch}}{\text{mm}}$



INLET SIDE

OUTLET SIDE

Specifications

MODEL	Rated Voltage	Operating Voltage	Current	Input Power	Speed	Max. Air Flow		Max. Static Pressure		Noise	Mass
	(V)	(V)	(A) ^{*1}	(W) ^{*1}	(min ⁻¹) ^{*1}	CFM ^{*1}	(m ³ /min) ^{*1}	in H ₂ O	(Pa) ^{*1}	(dB) ^{*1}	(g)
04020VA-12Q-CA-00	12	9.0 ~ 13.2	0.13	1.56	11000	12.36	0.35	.57	142	42.0	40
04020VA-24Q-CA-00	24	14.0 ~ 26.4	0.09	2.16	11000	12.36	0.35	.57	142	42.0	40

Rotation: Clockwise

Airflow Outlet: Air Out Over Struts

*1: Average Values in Free Air

Note: PWM/Locked Rotor/Tach Available