

## General Specifications

Motor Protection: Auto Restart/Polarity Protection  
 Insulation Resistance: 10M Ohm or over with a DC500V Megger  
 Dielectric Withstand Voltage: AC 700V 1st  
 Allowable Ambient Temperature Range:  
 -10 degree C ~ +70 degree C (Operating)  
 -40 degree C ~ +70 degree C (Storage)  
 (non-condensing environment)

## Material

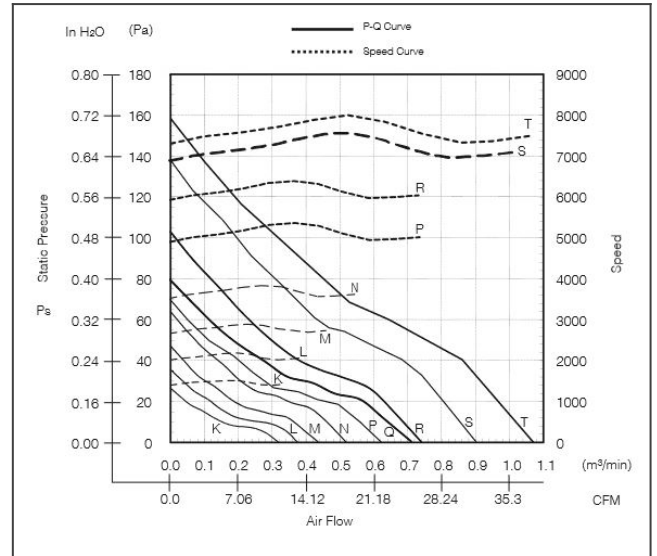
Casing: Plastic (Black) UL94V-0  
 Impeller: Plastic (Black) UL94V-0  
 Lead Wire: UL3385, AWG26, +Red, -Black

**order part 06025SA-24Q-EA-D0 Ball Bearing Fan DC Fans**

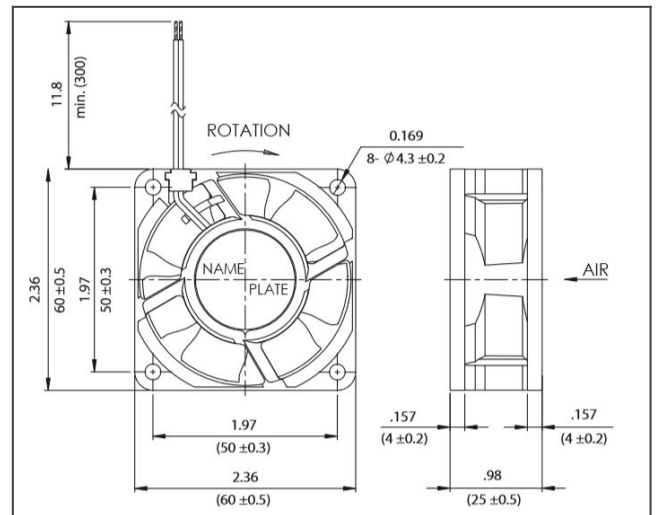


DC Fans

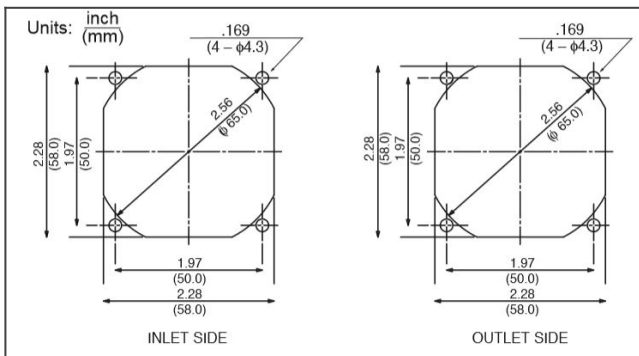
## 06025SA characteristics curve



## 06025SA product drawing



## 06025SA panel cut out



## Detailed Specifications

<b>Expected Life:</b>	60 degree C 40,000 Hours (L10) AA/EA
<b>DC Fan:</b>	Ball Bearing Fan
<b>Nominal Voltage:</b>	24[V]
<b>Operating Voltage Lower:</b>	12[V]
<b>Operating Voltage Upper:</b>	27.6[V]
<b>Current:</b>	0.1[A]
<b>Input Power:</b>	2.4[W]
<b>Speed:</b>	5300[ $\text{min}^{-1}$ ]
<b>Max. Air Flow:</b>	0.76[ $\text{m}^3/\text{min}$ ]
<b>Max. Air Flow:</b>	26.8[CFM]
<b>Max. Static Pressure:</b>	80[Pa]
<b>Max. Static Pressure:</b>	0.32[In H <sub>2</sub> O]
<b>Noise:</b>	35[dB]
<b>Mass:</b>	56[g]
<b>Fan Size:</b>	60[mm]
<b>Fan Width:</b>	25[mm]
<b>Life Expectancy L10:</b>	60 degree C 40,000 Hours (L10) AA/EA
<b>Series:</b>	06025SA

DC Fans