

General Specifications

Motor Protection: Auto Restart/Polarity Protection
 Insulation Resistance: 10M Ohm or over with a DC500V Megger
 Dielectric Withstand Voltage: AC 700V 1st
 Allowable Ambient Temperature Range:
 -10 degree C ~ +70 degree C (Operating)
 -40 degree C ~ +70 degree C (Storage)
 (non-condensing environment)

Material

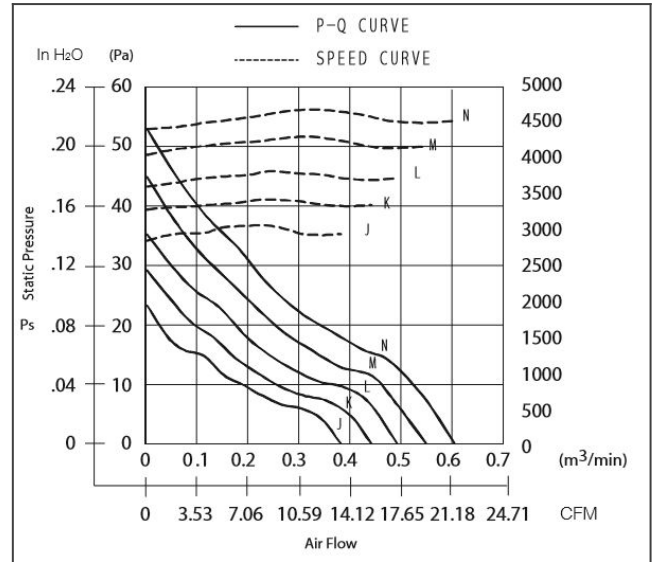
Casing: Plastic (Black) UL94V-0
 Impeller: Plastic (Black) UL94V-0
 Lead Wire: UL3385, AWG26, +Red, -Black

order part 06020SA-12J-AL-00 Ball Bearing Fan DC Fans

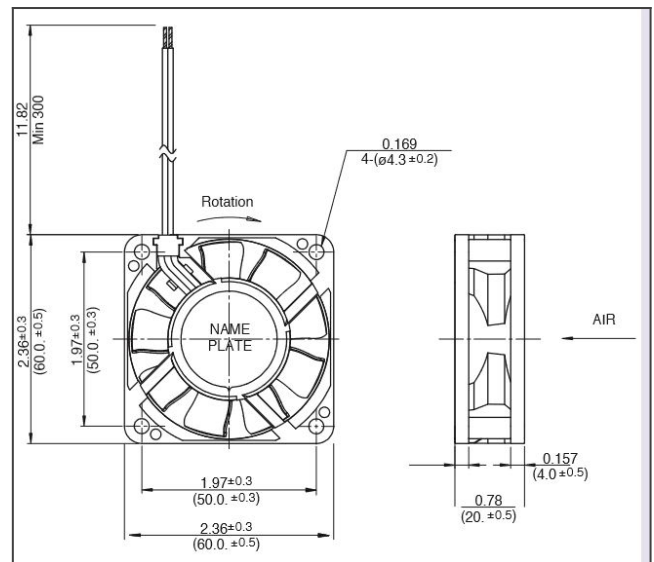


DC Fans

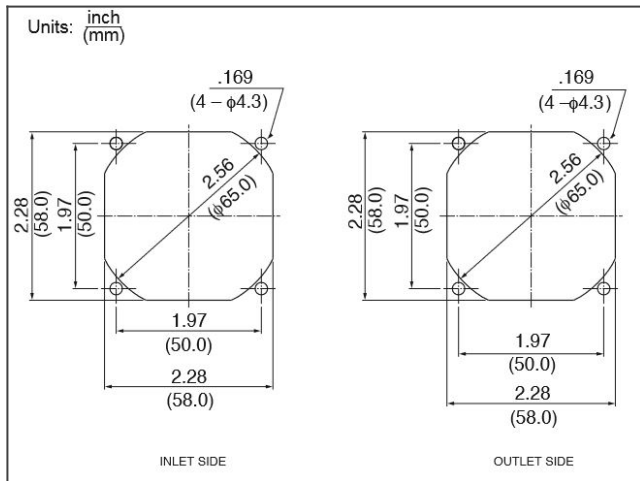
06020SA characteristic curve



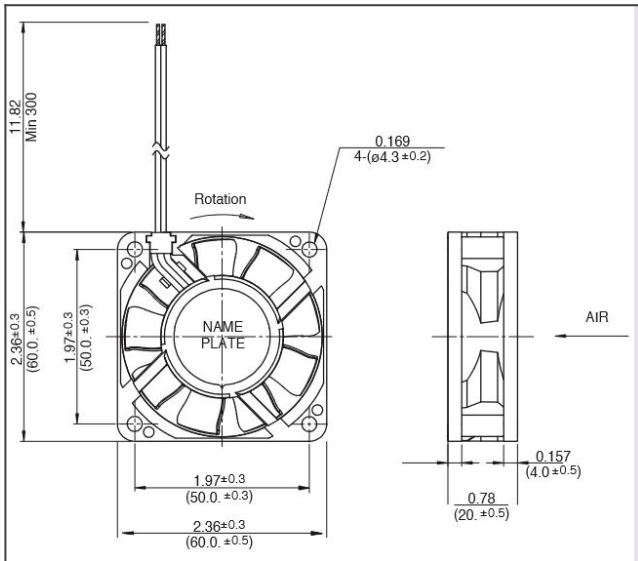
06020SA product drawing



06020SA panel cut out



06020SA product drawing - Copy



DC Fans

Detailed Specifications

Expected Life:	60 degree C 40,000 Hours (L10) AA/EA
DC Fan:	Ball Bearing Fan
Operating Voltage Lower:	6[V]
Operating Voltage Upper:	13.8[V]
Input Power:	0.6[W]
Speed:	2800[min^{-1}]
Max. Air Flow:	0.356[m^3/min]
Max. Air Flow:	12.7[CFM]
Max. Static Pressure:	22.4[Pa]
Max. Static Pressure:	0.09[In H ₂ O]
Noise:	21.5[dB]
Fan Size:	60[mm]
Fan Width:	20[mm]
Life Expectancy L10:	60 degree C 40,000 Hours (L10) AA/EA
Series:	06020SA