

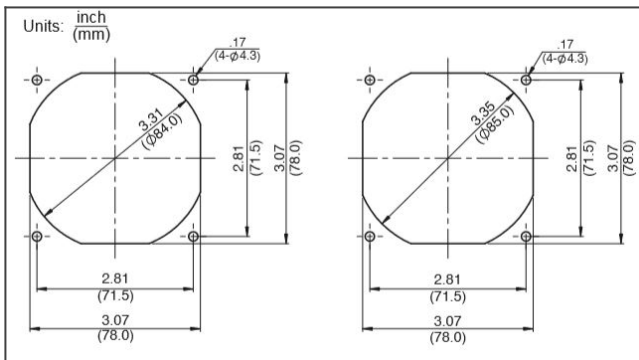
General Specifications

Motor Protection: Auto Restart/Polarity Protection
 Insulation Resistance: 10M Ohm or over with a DC500V Megger
 Dielectric Withstand Voltage: AC 700V 1st
 Allowable Ambient Temperature Range:
 N ~ R Class: -10 degree C ~ +70 degree C (Operating)
 S Class: -10 degree C ~ +60 degree C (Operating)
 All Class: -40 degree C ~ +70 degree C (Storage)
 (non-condensing environment)

order part 08038RA-12Q-EA-00 Ball Bearing Fan DC Fans



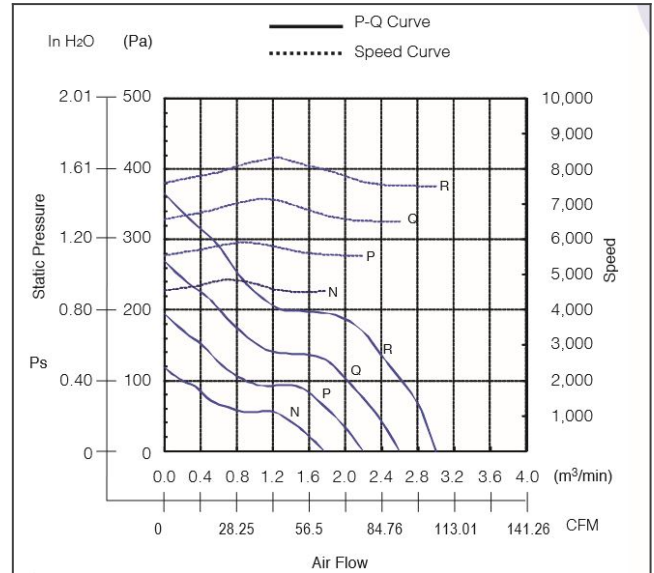
08038RA panel cut out



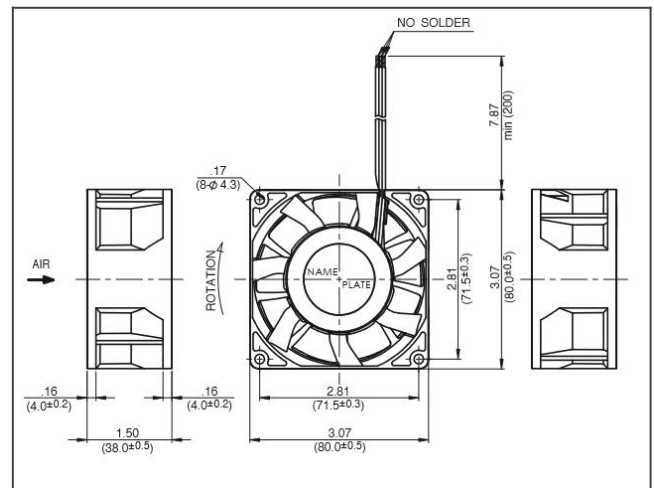
Material

Casing: Plastic (Black) UL94V-0
 Impeller: Plastic (Black) UL94V-0
 Lead Wire: UL1007, AWG22, +Red, -Black

08038RA characteristics curve



08038RA product drawing



Detailed Specifications

Expected Life: 25 degree C 100,000 Hours (L10)

DC Fan: Ball Bearing Fan

Nominal Voltage: 12[V]

Operating Voltage Lower: 7[V]

Operating Voltage Upper: 13.8[V]

Industry: Food Processing / Power Tools / Industrial Machines / Consumer Technology

Current: 1.15[A]

Input Power: 13.8[W]

Speed: 6500[min^{-1}]

Max. Air Flow: 2.6[m³/min]

Max. Air Flow: 91.8[CFM]

Max. Static Pressure: 260[Pa]

Max. Static Pressure: 1.04[In H₂O]

Noise: 56[dB]

Mass: 210[g]

Fan Size: 80[mm]

Fan Width: 38[mm]

Life Expectancy L10: 25 degree C 100,000 Hours (L10)

Series: 08038RA

DC Fans