

General Specifications

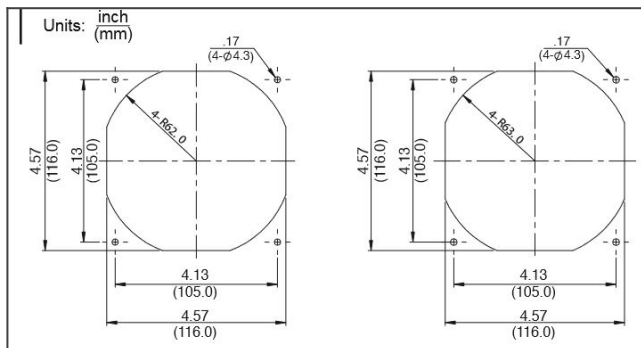
Motor Protection: Auto Restart/Polarity Protection
 Insulation Resistance: 10M Ohm or over with a DC500V Megger
 Dielectric Withstand Voltage: AC 700V 1st
 Allowable Ambient Temperature Range:
 N Class: -10 degree C ~ +60 degree C (Operating)
 -40 degree C ~ +70 degree C (Operating)
 -40 degree C ~ +70 degree C (Storage)
 (non-condensing environment)

order part 11938MA-48M-ET-D0 Ball Bearing Fan DC Fans



DC Fans

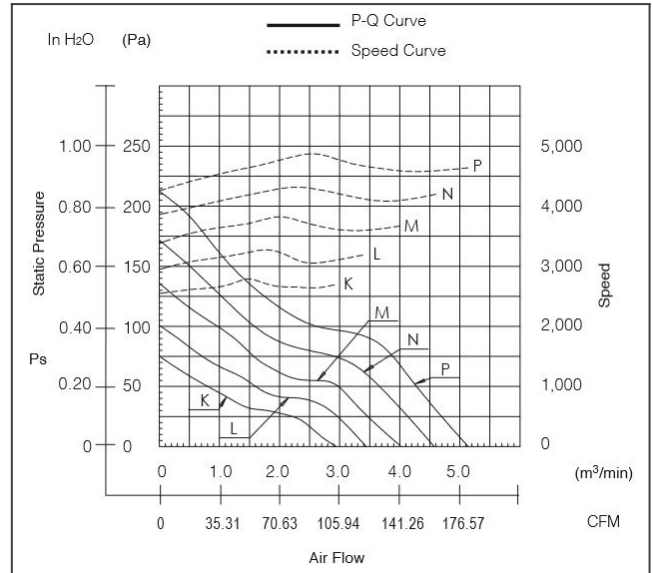
11938MA panel cut out



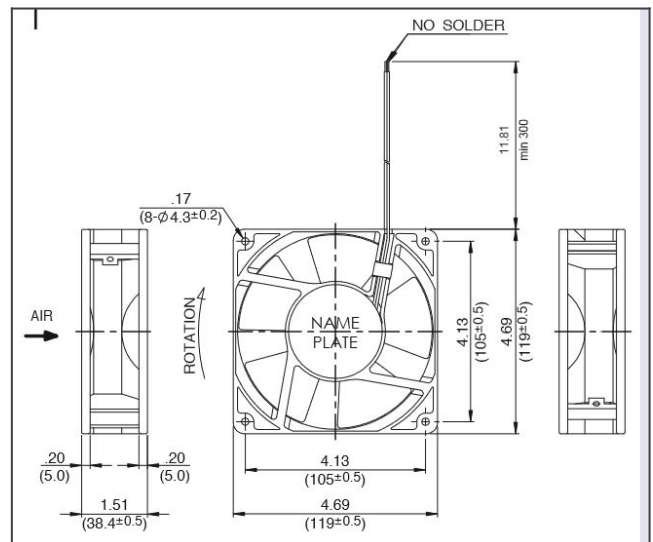
Material

Casing: Plastic (Black) UL94V-0
 Impeller: Plastic (Black) UL94V-0
 Lead Wire: UL1007, AWG24, +Red, -Black

11938MA characteristic curve



11938MA product drawing



Detailed Specifications

Expected Life:	25 degree C 100,000 Hours (D00)
DC Fan:	Ball Bearing Fan
Nominal Voltage:	48[V]
Operating Voltage Lower:	30[V]
Operating Voltage Upper:	55.2[V]
Current:	0.27[A]
Input Power:	13[W]
Speed:	3700[min^{-1}]
Max. Air Flow:	4.02[m^3/min]
Max. Air Flow:	141.9[CFM]
Max. Static Pressure:	136[Pa]
Max. Static Pressure:	0.54[In H ₂ O]
Noise:	53.5[dB]
Mass:	400[g]
Fan Size:	119[mm]
Fan Width:	38.4[mm]
Life Expectancy L10:	25 degree C 100,000 Hours (D00)
Series:	11938MA