

General Specifications

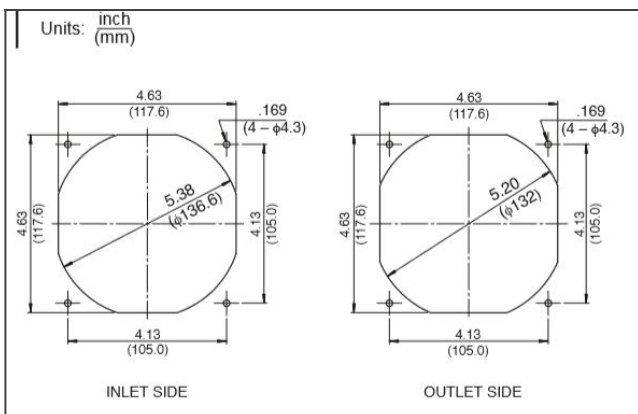
Motor Protection: Auto Restart
 Insulation Resistance: 10M Ohm or over with a DC500V Megger
 Dielectric Withstand Voltage: AC 700V 1st
 Allowable Ambient Temperature Range:
 -10 degree C ~ +60 degree C (Operating)
 -30 degree C ~ +70 degree C (Storage)
 (non-condensing environment)

order part 12038MA-48R-EE-00 Ball Bearing Fan DC Fans



DC Fans

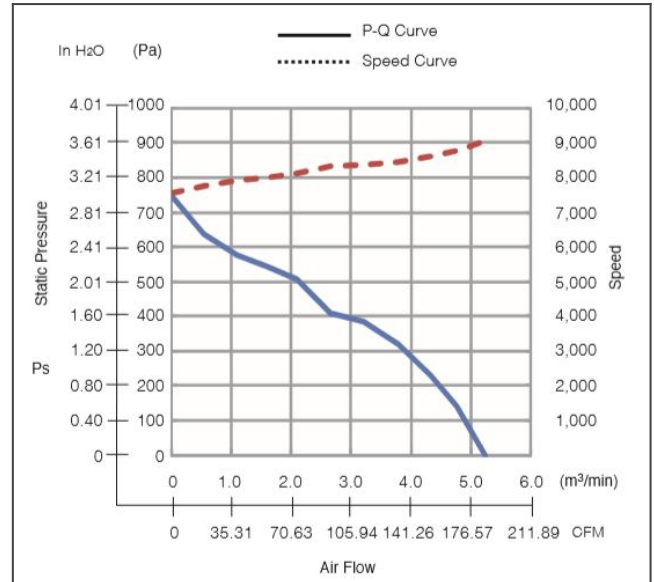
12038MA panel cut out



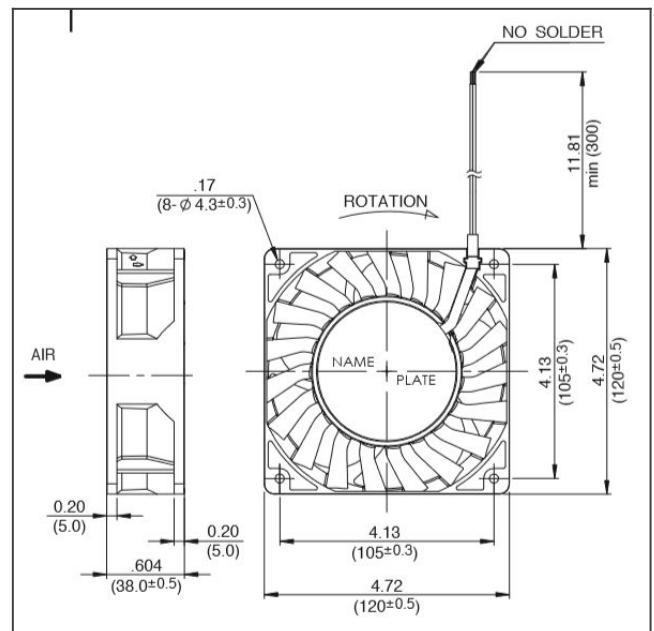
Material

Casing: Aluminum (Black) UL94V-0
 Impeller: Plastic (Black) UL94V-0
 Lead Wire: UL10368, AWG22, +Red, -Black

12038MA characteristic curve



12038MA product drawing



Detailed Specifications

DC Fans

Expected Life:	40 degree C 40,000 Hours (L10)
DC Fan:	Ball Bearing Fan
Nominal Voltage:	48[V]
Operating Voltage Lower:	38[V]
Operating Voltage Upper:	60[V]
Current:	0.82[A]
Input Power:	39.4[W]
Speed:	9000[min^{-1}]
Max. Air Flow:	5.25[m^3/min]
Max. Air Flow:	186[CFM]
Max. Static Pressure:	740[Pa]
Max. Static Pressure:	3[In H ₂ O]
Noise:	72[dB]
Mass:	580[g]
Fan Size:	120[mm]
Fan Width:	38[mm]
Life Expectancy L10:	40 degree C 40,000 Hours (L10)
Series:	12038MA