

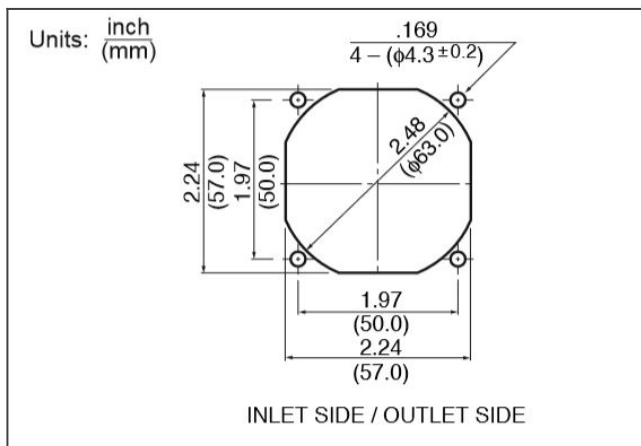
General Specifications

Motor Protection: Auto Restart/Polarity Protection
 Insulation Resistance: 10M Ohm or over with a DC500V Megger
 Dielectric Withstand Voltage: AC 700V 1st
 Allowable Ambient Temperature Range:
 -10 degree C ~ +60 degree C (Operating)
 -40 degree C ~ +60 degree C (Storage)
 (non-condensing environment)

order part 06015KA-24N-AL-00 Ball Bearing Fan DC Fans



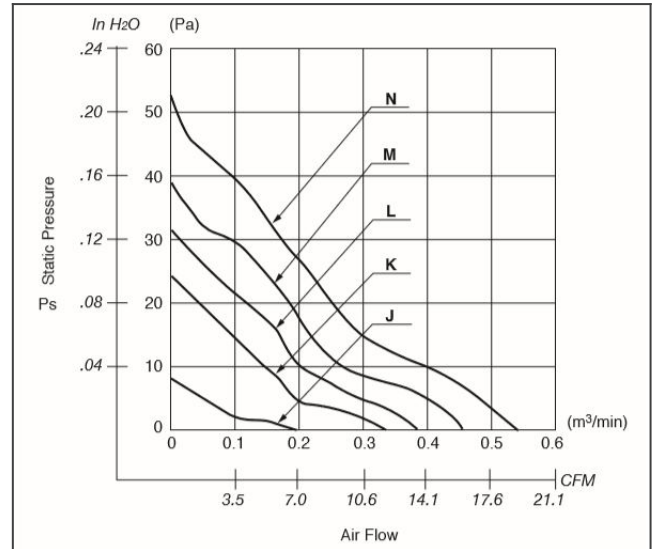
06015KA panel cut out



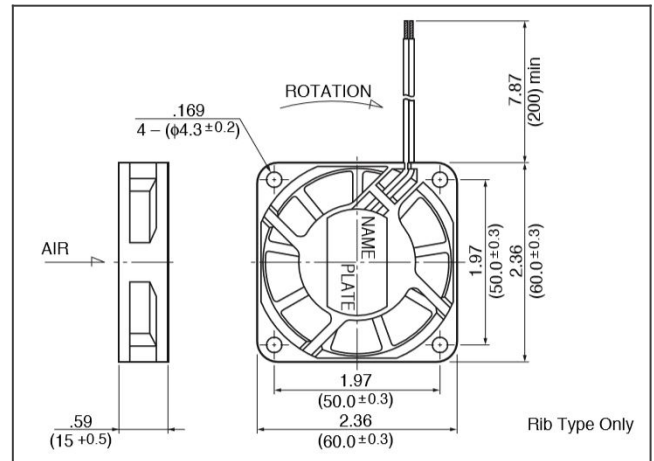
Material

Casing: Plastic (Black) UL94V-0
 Impeller: Plastic (Black) UL94V-0
 Lead Wire: UL1061, AWG26, +Red, -Black

06015KA characteristic chart



06015KA product drawing



Detailed Specifications

DC Fans

Expected Life:	25 degree C 70,000 Hours (L10)
DC Fan:	Ball Bearing Fan
Nominal Voltage:	24[V]
Operating Voltage Lower:	10[V]
Operating Voltage Upper:	27.6[V]
Current:	0.1[A]
Input Power:	2.4[W]
Speed:	4600[min^{-1}]
Max. Air Flow:	0.52[m^3/min]
Max. Air Flow:	18.4[CFM]
Max. Static Pressure:	51.2[Pa]
Max. Static Pressure:	0.21[In H ₂ O]
Noise:	34[dB]
Mass:	45[g]
Fan Size:	60[mm]
Fan Width:	15[mm]
Life Expectancy L10:	25 degree C 70,000 Hours (L10)
Series:	06015KA