

General Specifications

Motor Protection: Auto Restart/Polarity Protection
 Insulation Resistance: 10M Ohm or over with a DC500V Megger
 Dielectric Withstand Voltage: AC 700V 1st
 Allowable Ambient Temperature Range:
 -10 degree C ~ +70 degree C (Operating)
 -40 degree C ~ +70 degree C (Storage)
 (non-condensing environment)

Material

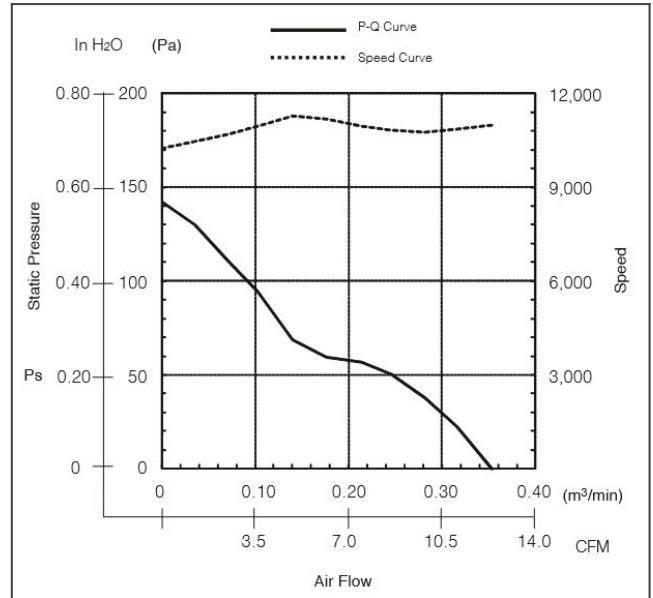
Casing: Plastic (Black) UL94V-0
 Impeller: Plastic (Black) UL94V-0
 Lead Wire: UL3385, AWG26, +Red, -Black

order part 04020VA-24P-AT-00 Ball Bearing Fan DC Fans

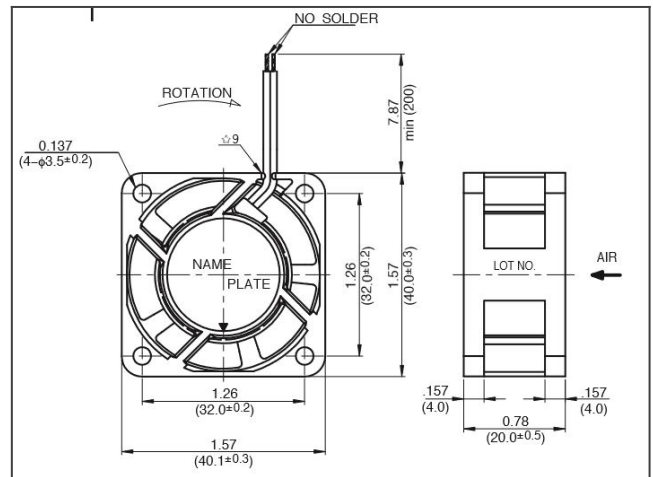


DC Fans

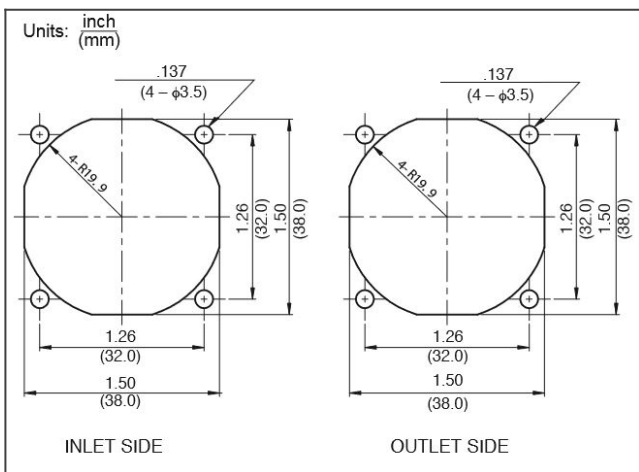
04020VA characteristic curve



04020VA product drawing



04020VA panel cut out



Detailed Specifications

DC Fans

Expected Life:	25 degree C 100,000 Hours (L10)
DC Fan:	Ball Bearing Fan
Nominal Voltage:	24[V]
Operating Voltage Lower:	14[V]
Operating Voltage Upper:	26.4[V]
Current:	0.1[A]
Input Power:	2.4[W]
Speed:	9500[min^{-1}]
Max. Air Flow:	0.32[m^3/min]
Max. Air Flow:	11.3[CFM]
Max. Static Pressure:	99.3[Pa]
Max. Static Pressure:	0.4[In H ₂ O]
Noise:	37[dB]
Mass:	40[g]
Fan Size:	40[mm]
Fan Width:	20[mm]
Life Expectancy L10:	25 degree C 100,000 Hours (L10)
Series:	04020VA