

## General Specifications

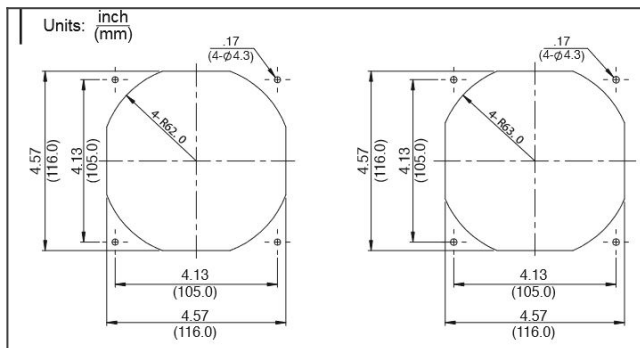
Motor Protection: Auto Restart/Polarity Protection  
 Insulation Resistance: 10M Ohm or over with a DC500V Megger  
 Dielectric Withstand Voltage: AC 700V 1st  
 Allowable Ambient Temperature Range:  
 N Class: -10 degree C ~ +60 degree C (Operating)  
 -40 degree C ~ +70 degree C (Operating)  
 -40 degree C ~ +70 degree C (Storage)  
 (non-condensing environment)

**order part 11938MA-48M-EL-D0 Ball Bearing Fan DC Fans**



DC Fans

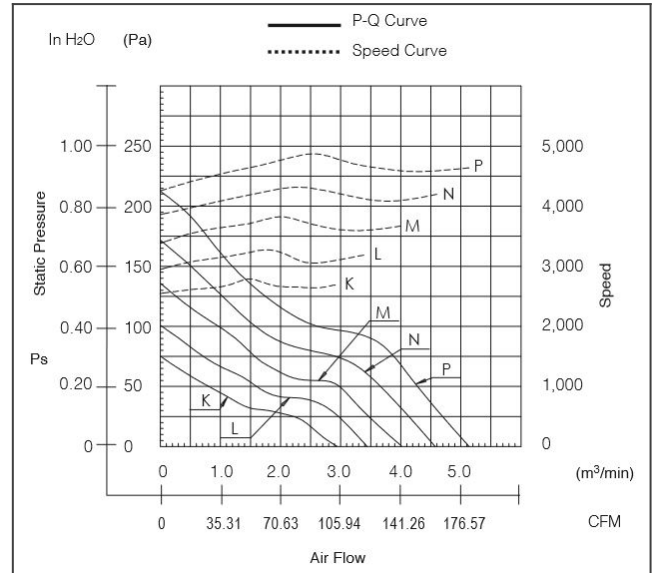
### 11938MA panel cut out



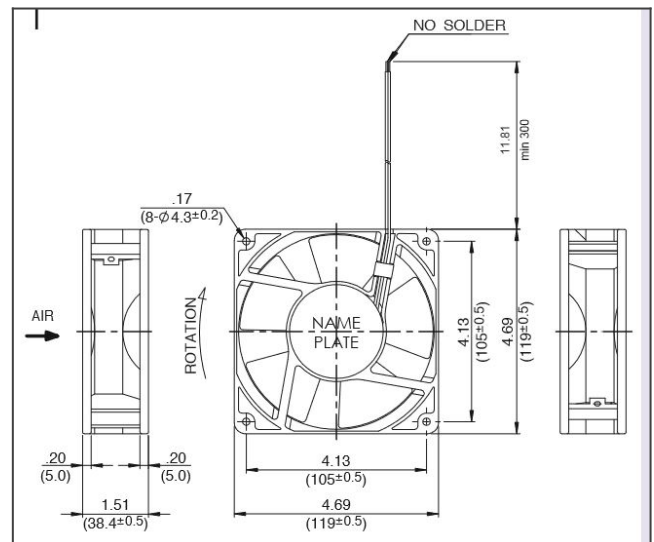
## Material

Casing: Plastic (Black) UL94V-0  
 Impeller: Plastic (Black) UL94V-0  
 Lead Wire: UL1007, AWG24, +Red, -Black

### 11938MA characteristic curve



### 11938MA product drawing



## Detailed Specifications

DC Fans

<b>Expected Life:</b>	25 degree C 100,000 Hours (D00)
<b>DC Fan:</b>	Ball Bearing Fan
<b>Nominal Voltage:</b>	48[V]
<b>Operating Voltage Lower:</b>	30[V]
<b>Operating Voltage Upper:</b>	55.2[V]
<b>Current:</b>	0.27[A]
<b>Input Power:</b>	13[W]
<b>Speed:</b>	3700[ $\text{min}^{-1}$ ]
<b>Max. Air Flow:</b>	4.02[ $\text{m}^3/\text{min}$ ]
<b>Max. Air Flow:</b>	141.9[CFM]
<b>Max. Static Pressure:</b>	136[Pa]
<b>Max. Static Pressure:</b>	0.54[In H <sub>2</sub> O]
<b>Noise:</b>	53.5[dB]
<b>Mass:</b>	400[g]
<b>Fan Size:</b>	119[mm]
<b>Fan Width:</b>	38.4[mm]
<b>Life Expectancy L10:</b>	25 degree C 100,000 Hours (D00)
<b>Series:</b>	11938MA