

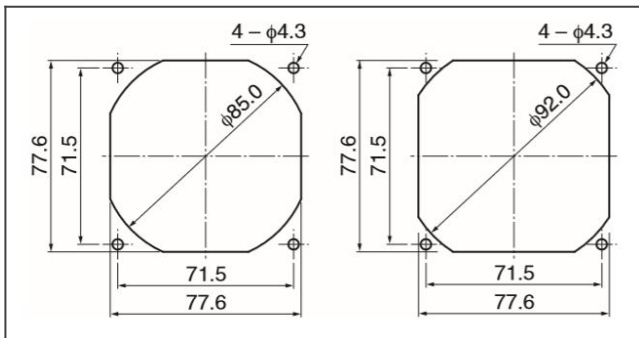
## General Specifications

Motor Protection: Auto Restart /Polarity Protection  
 Insulation Resistance: 10M Ohm or over with a DC500V Megger  
 Dielectric Withstand Voltage: AC 700V 1st  
 Allowable Ambient Temperature Range:  
 L, M Class: -10 degree C ~ +70 degree C (Operating)  
 N Class: -10 degree C ~ +60 degree C (Operating)  
 -40 degree C ~ +70 degree C (Storage)  
 (non-condensing environment)

**order part 08015SS-24N-AL-00 Sleeve Bearing Fan DC Fans**



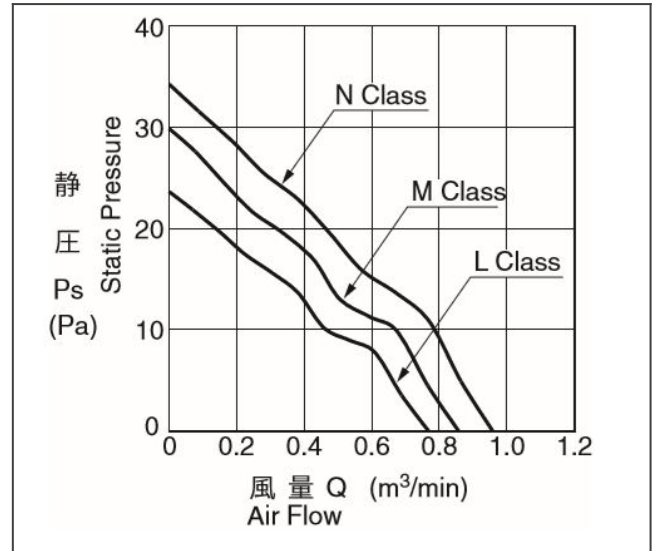
**08015SS panel cut out**



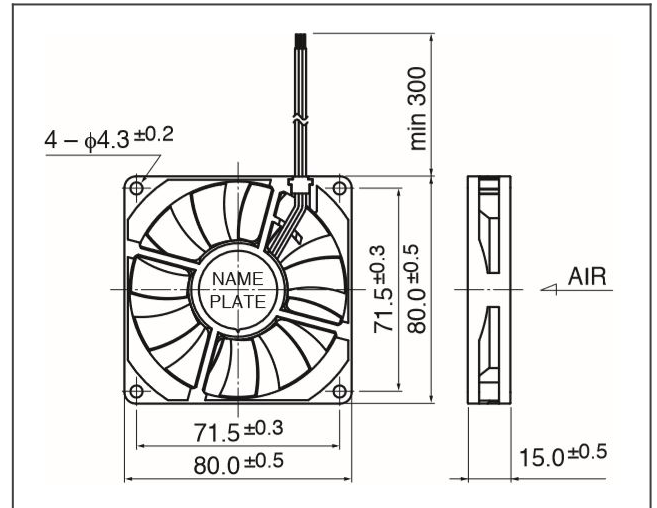
## Material

Casing: Plastic (Black) UL94V-0  
 Impeller: Plastic (Black) UL94V-0  
 Lead Wire: UL1007, AWG26, +Red, -Black, (tach) White

**08015SS characteristic curve**



**08015SS product drawing**



## Detailed Specifications

DC Fans

<b>Expected Life:</b>	40 degree C 40,000 Hours (L10)
<b>DC Fan:</b>	Sleeve Bearing Fan
<b>Nominal Voltage:</b>	24[V]
<b>Operating Voltage Lower:</b>	12[V]
<b>Operating Voltage Upper:</b>	26.4[V]
<b>Current:</b>	0.12[A]
<b>Input Power:</b>	2.9[W]
<b>Speed:</b>	3100[ $\text{min}^{-1}$ ]
<b>Max. Air Flow:</b>	0.96[ $\text{m}^3/\text{min}$ ]
<b>Max. Air Flow:</b>	33.9[CFM]
<b>Max. Static Pressure:</b>	34.2[Pa]
<b>Max. Static Pressure:</b>	0.14[In H <sub>2</sub> O]
<b>Noise:</b>	34[dB]
<b>Mass:</b>	55[g]
<b>Fan Size:</b>	80[mm]
<b>Fan Width:</b>	15[mm]
<b>Life Expectancy L10:</b>	40 degree C 40,000 Hours (L10)
<b>Series:</b>	08015SS