

General Specifications

Motor Protection: Auto Restart/Polarity Protection
 Insulation Resistance: 10M Ohm or over with a DC500V Megger
 Dielectric Withstand Voltage: AC 700V 1st
 Allowable Ambient Temperature Range:
 L~M Class: -10 degree C ~ +70 degree C (Operating)
 N Class: -10 degree C ~ +70 degree C (Operating)
 All Class: -40 degree C ~ +70 degree C (Storage)
 (non-condensing environment)

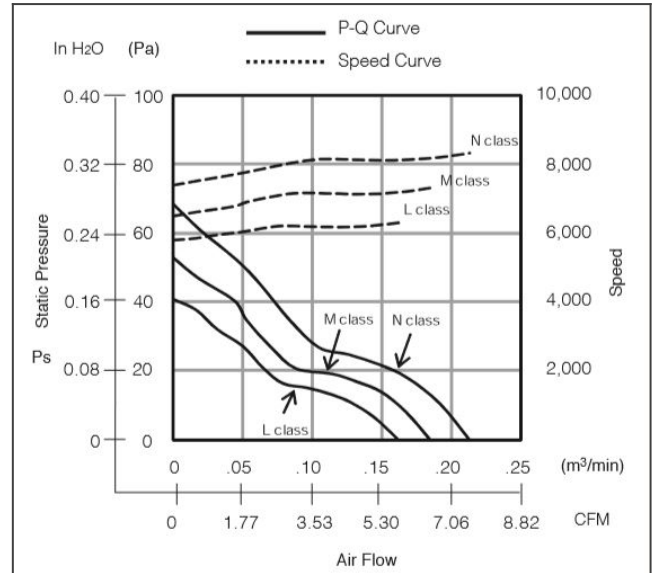
Material

Casing: Aluminum (Black)
 Impeller: Plastic (Black) UL94V-0
 Lead Wire: UL10368, AWG22, +Red, -Black

order part 04015SS-12N-AL-00 Sleeve Bearing Fan DC Fans

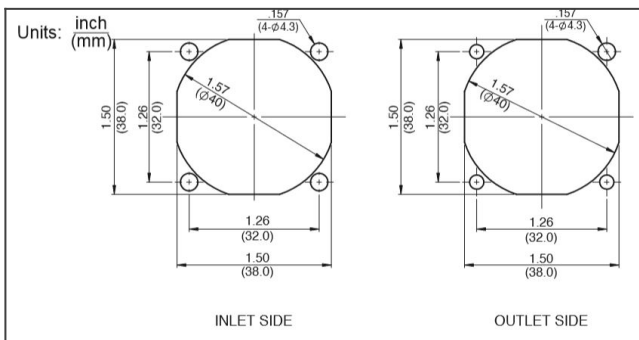


04015SS characteristics curve

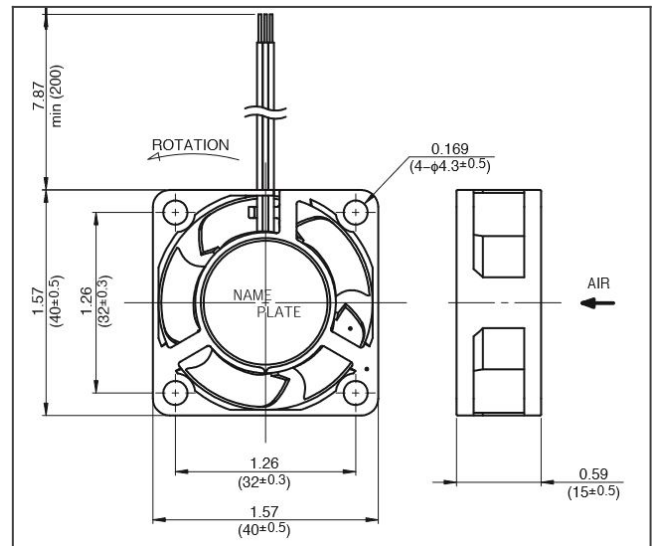


DC Fans

04015SS panel cut out



04015SS product drawing



Detailed Specifications

DC Fans

Expected Life:	40 degree C 40,000 Hours (L10)
DC Fan:	Sleeve Bearing Fan
Nominal Voltage:	12[V]
Operating Voltage Lower:	6[V]
Operating Voltage Upper:	13.8[V]
Current:	0.06[A]
Input Power:	0.7[W]
Speed:	8300[min^{-1}]
Max. Air Flow:	0.21[m^3/min]
Max. Air Flow:	7.4[CFM]
Max. Static Pressure:	68[Pa]
Max. Static Pressure:	0.27[In H ₂ O]
Noise:	32[dB]
Mass:	23[g]
Fan Size:	40[mm]
Fan Width:	15[mm]
Life Expectancy L10:	40 degree C 40,000 Hours (L10)
Series:	04015SS