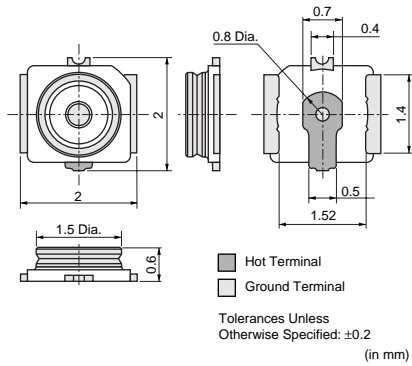


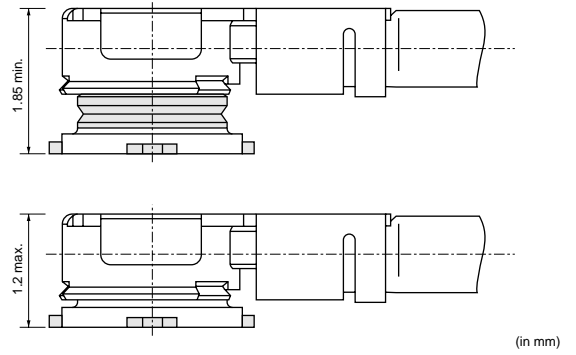
# Coaxial Connectors



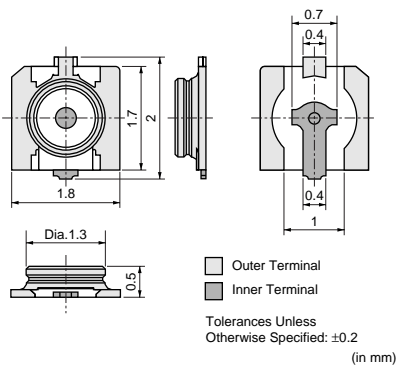
MM4829-2702



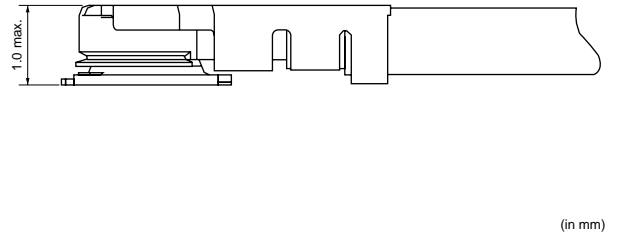
Dimensions



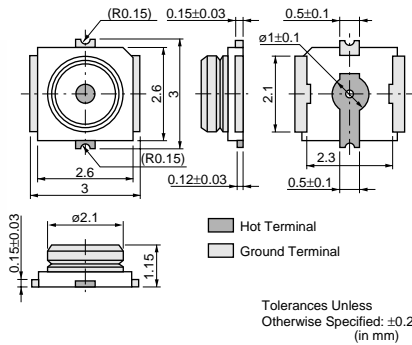
MM5829-2700



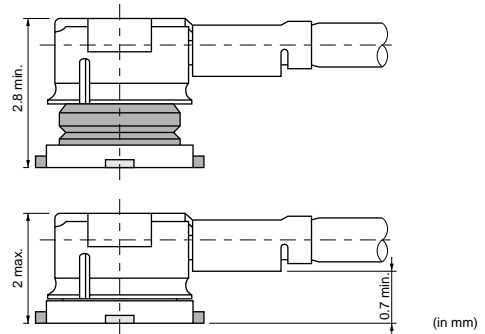
Dimensions



MM9329-2700



Dimensions

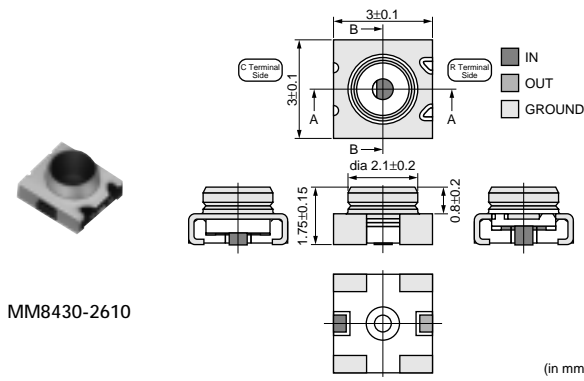
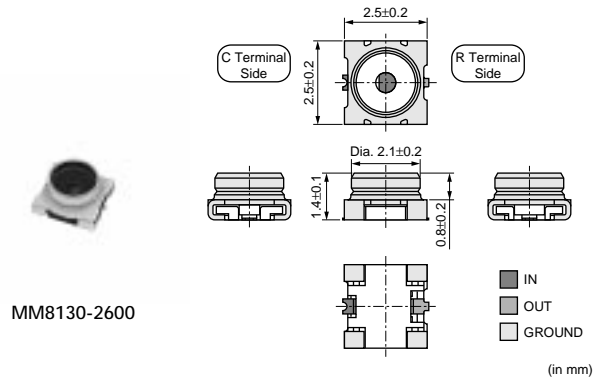
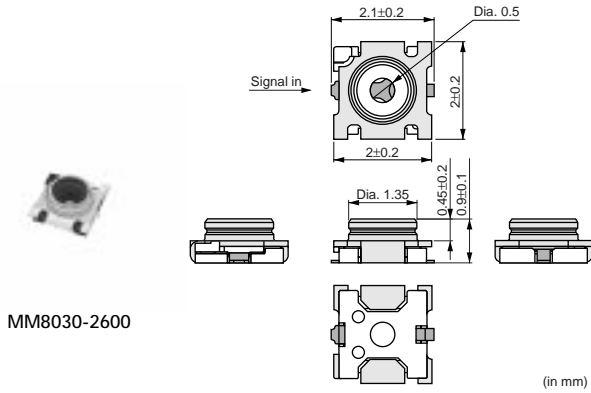


Part Number	Rated Voltage (Vrms)	Frequency Rating (GHz)	Temperature Range	VSWR
MM4829-2702	250	to 6.0	-40 to +85degree C	1.3 max. (DC to 3GHz)
MM5829-2700	30	to 12	-40 to +85degree C	1.3 max. (DC to 3GHz)
MM9329-2700	250	to 6.0	-40 to +90degree C	1.2 max. (DC to 3GHz)
MXHP32_TYPE	250	to 6.0	-40 to +85degree C	1.3 max.(DC to 3GHz)
MXJA01_TYPE	30	to 12	-40 to +85degree C	1.3 max.(DC to 3GHz)
MXTK92_TYPE	250	to 6.0	-40 to +90degree C	1.2 max.(DC to 3GHz)

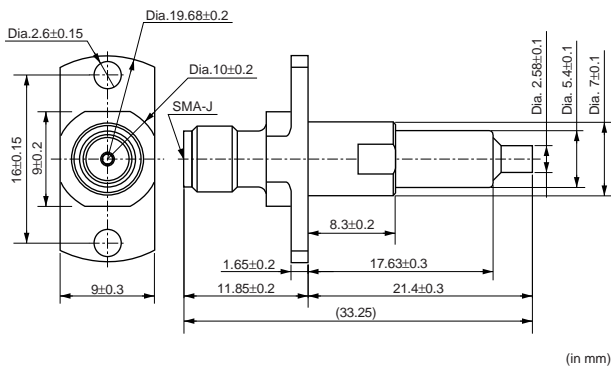
Impedance: 50ohm

Microwave Components

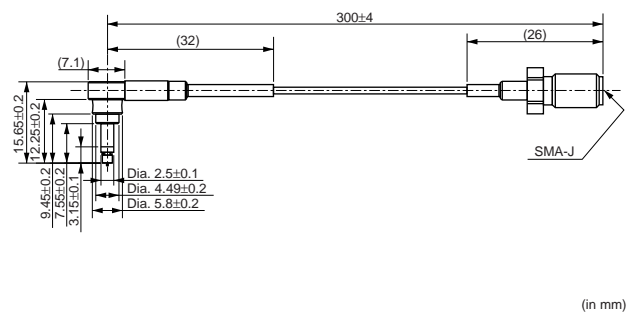
# Coaxial Connectors with Switches



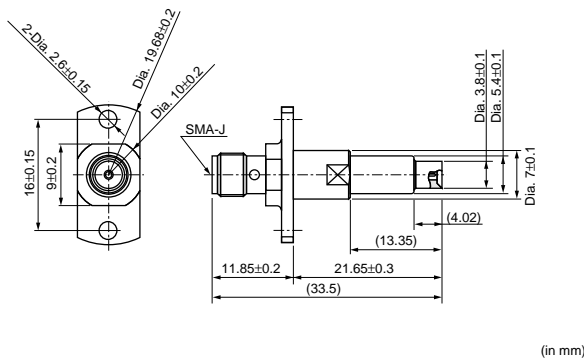
Measurement Probe (P/N:MM126310)



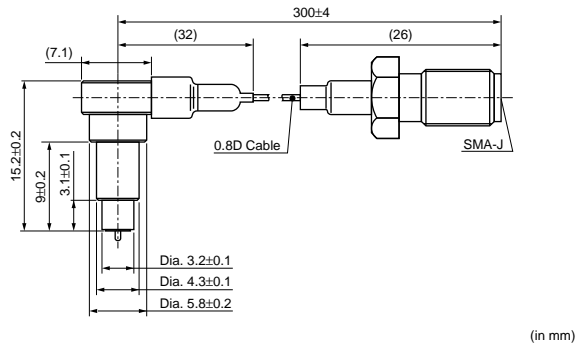
Measurement Probe (P/N:MXHQ87WA3000)



Measurement Probe (P/N:MM126036)



Measurement Probe (P/N:MXHS83QE3000)

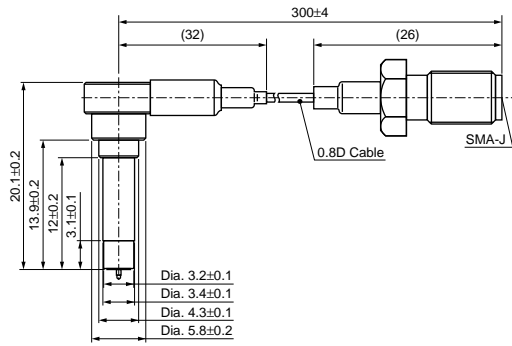


Continued on the following page.

**Note** • This PDF catalog is downloaded from the website of Murata Manufacturing co., Ltd. Therefore, it's specifications are subject to change or our products in it may be discontinued without advance notice. Please check with our sales representatives or product engineers before ordering.  
 • This PDF catalog has only typical specifications because there is no space for detailed specifications. Therefore, please approve our product specifications or transact the approval sheet for product specifications before ordering.

Continued from the preceding page.

Measurement Probe (P/N:MXHS83QH3000)



(in mm)

Part Number	Rated Voltage (Vrms)	Frequency Rating (GHz)	Temperature Range	VSWR (1)
<b>MM8030-2600</b>	250	to 11	-40 to +85degree C	1.2 max. (DC to 3GHz)
<b>MM8130-2600</b>	250	to 6	-40 to +85degree C	1.2 max. (DC to 3GHz)
<b>MM8430-2610</b>	250	to 6	-40 to +85degree C	1.2 max.(DC to 3GHz)

Impedance: 50ohm