

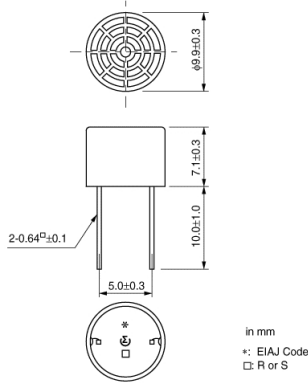
# MA40S4R

In Production

RoHS

REACH

## Appearance & Shape



## Features

1. Compact and light weight.
2. High sensitivity and sound pressure.

## Applications

Automotive Usage	Infotainment
Other Usage	1. Obstacle detection in home 2. Distance measurement

## Packaging Information

Packaging	Specifications	Standard Packing Quantity
-	Box	540

### Attention

1. This datasheet is downloaded from the website of Murata Manufacturing Co., Ltd. Therefore, its specifications are subject to change or our products in it may be discontinued without advance notice. Please check with our sales representatives or product engineers before ordering.
2. This datasheet has only typical specifications because there is no space for detailed specifications. Therefore, please review our product specifications or consult the approval sheet for product specifications before ordering.

# MA40S4R

## Specifications

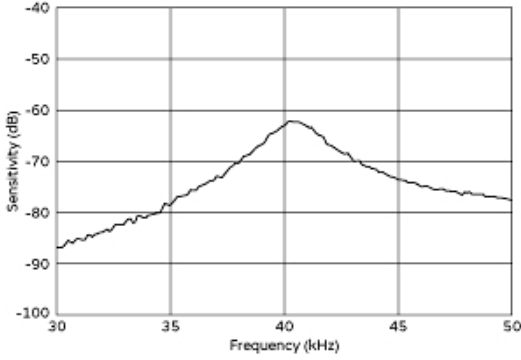
Operating Temperature Range	-40°C to 85°C
Construction	Open type
Center Frequency	40kHz
Sensitivity	-63dB typ. (0dB=10V/Pa)
Directivity	80deg. (typ.)
Capacitance	2550pF
Capacitance Tolerance	±20%

### Attention

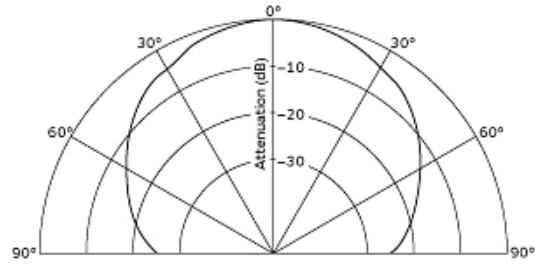
- 1.This datasheet is downloaded from the website of Murata Manufacturing Co., Ltd. Therefore, it's specifications are subject to change or our products in it may be discontinued without advance notice. Please check with our sales representatives or product engineers before ordering.
- 2.This datasheet has only typical specifications because there is no space for detailed specifications.  
Therefore, please review our product specifications or consult the approval sheet for product specifications before ordering.

# MA40S4R

## Product Data



Freq. Characteristics



Directivity in Sensitivity

**Attention**

- 1.This datasheet is downloaded from the website of Murata Manufacturing Co., Ltd. Therefore, it's specifications are subject to change or our products in it may be discontinued without advance notice. Please check with our sales representatives or product engineers before ordering.
- 2.This datasheet has only typical specifications because there is no space for detailed specifications. Therefore, please review our product specifications or consult the approval sheet for product specifications before ordering.