

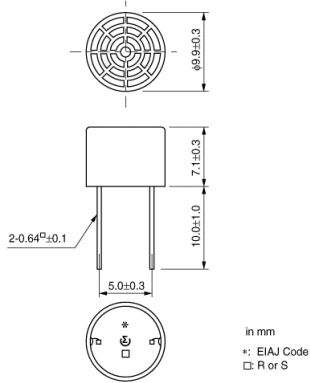
MA40S4S

In Production

RoHS

REACH

Appearance & Shape



Features

1. Compact and light weight.
2. High sensitivity and sound pressure.

Applications

| | |
|------------------|--|
| Automotive Usage | Infotainment |
| Other Usage | 1. Obstacle detection in home 2. Distance measurement |

Packaging Information

| Packaging | Specifications | Standard Packing Quantity |
|-----------|----------------|---------------------------|
| - | Box | 540 |

Attention

1. This datasheet is downloaded from the website of Murata Manufacturing Co., Ltd. Therefore, its specifications are subject to change or our products in it may be discontinued without advance notice. Please check with our sales representatives or product engineers before ordering.
2. This datasheet has only typical specifications because there is no space for detailed specifications. Therefore, please review our product specifications or consult the approval sheet for product specifications before ordering.

MA40S4S

Specifications

| | |
|-----------------------------|--|
| Operating Temperature Range | -40°C to 85°C |
| Construction | Open type |
| Center Frequency | 40kHz |
| S.P.L. | 120dB typ. (0dB=0.02mPa) |
| Directivity | 80deg. (typ.) |
| Capacitance | 2550pF |
| Capacitance Tolerance | ±20% |
| Max. Input Voltage | 20Vp-p Continuous signal, Square wave |

Attention

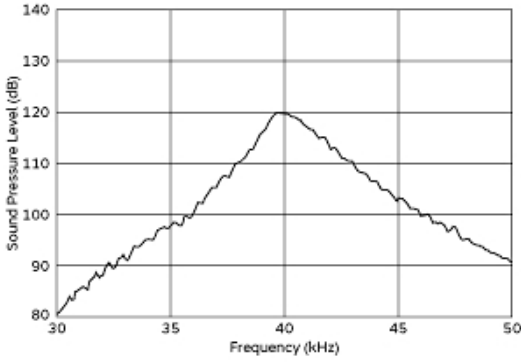
1.This datasheet is downloaded from the website of Murata Manufacturing Co., Ltd. Therefore, it's specifications are subject to change or our products in it may be discontinued without advance notice. Please check with our sales representatives or product engineers before ordering.

2.This datasheet has only typical specifications because there is no space for detailed specifications.

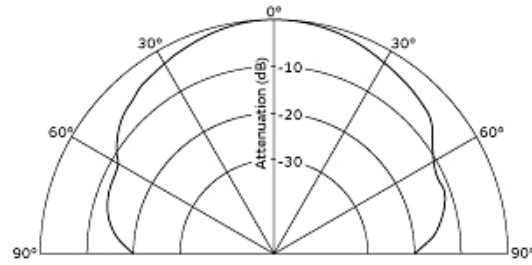
Therefore, please review our product specifications or consult the approval sheet for product specifications before ordering.

MA40S4S

Product Data



Freq. Characteristics



Directivity in S.P.L.

Attention

- 1.This datasheet is downloaded from the website of Murata Manufacturing Co., Ltd. Therefore, it's specifications are subject to change or our products in it may be discontinued without advance notice. Please check with our sales representatives or product engineers before ordering.
- 2.This datasheet has only typical specifications because there is no space for detailed specifications. Therefore, please review our product specifications or consult the approval sheet for product specifications before ordering.