

LQG15WZ1N4S02#

“#” indicates a package specification code.

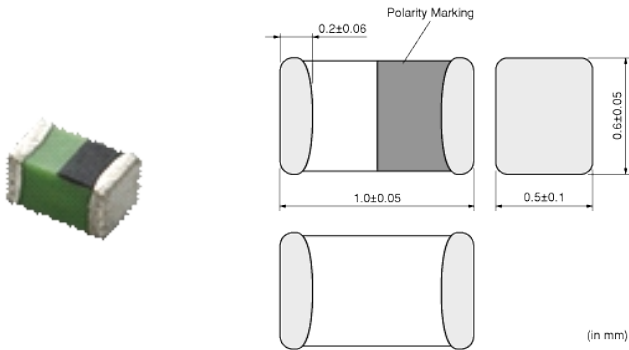
Size Code 1005 (0402) in mm (in inch), Multilayer Type, High Q, Automotive available (Infotainment)



< List of part numbers with package codes >

LQG15WZ1N4S02J LQG15WZ1N4S02B LQG15WZ1N4S02D

Appearance & Shape



References

Packaging	Specifications	Minimum Order Quantity
J	330mm Paper Tape	40000
B	Bulk(Bag)	100
D	180mm Paper Tape	10000

Mass (typ.)	
1 piece	0.001g

Attention

1. This datasheet is downloaded from the website of Murata Manufacturing Co., Ltd. Therefore, its specifications are subject to change or our products in it may be discontinued without advance notice. Please check with our sales representatives or product engineers before ordering.

2. This datasheet has only typical specifications because there is no space for detailed specifications.

Therefore, please review our product specifications or consult the approval sheet for product specifications before ordering.

LQG15WZ1N4S02#

“#” indicates a package specification code.

Specifications

L size	1.0±0.05mm
W size	0.6±0.05mm
T size	0.5±0.1mm
Size code inch (mm)	0402 (1005)
Inductance	1.4nH±0.3nH
Inductance Test Frequency	100MHz
Rated current (Itemp) (Based on Temperature rise)	1000mA
Max. of DC resistance	0.04Ω
Q(min.)	23
Q Test Frequency	250MHz
Self resonance frequency (min.)	12000MHz
Operating Temperature Range(Self-temperature rise is not included)	-55°C to 125°C
Series	LQG15WZ_02

Attention

1.This datasheet is downloaded from the website of Murata Manufacturing Co., Ltd. Therefore, it's specifications are subject to change or our products in it may be discontinued without advance notice. Please check with our sales representatives or product engineers before ordering.

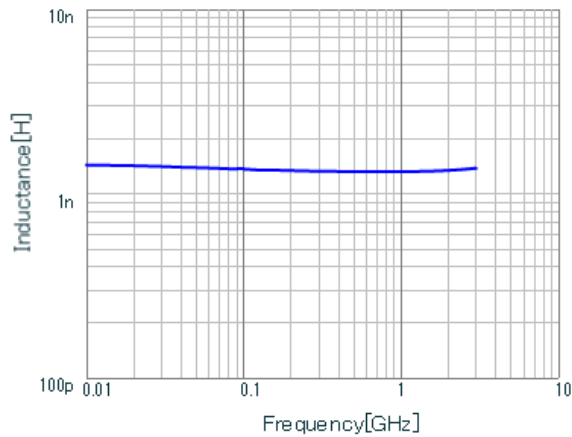
2.This datasheet has only typical specifications because there is no space for detailed specifications.

Therefore, please review our product specifications or consult the approval sheet for product specifications before ordering.

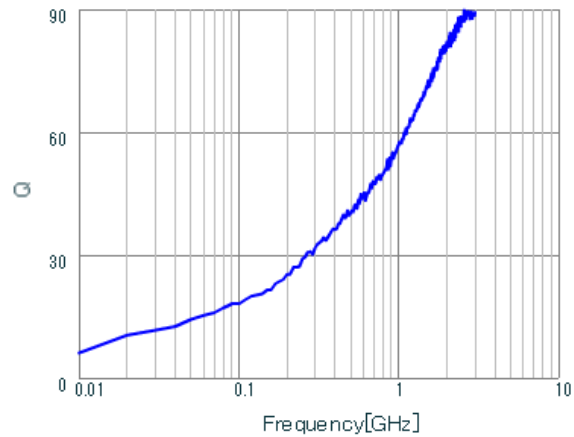
LQG15WZ1N4S02#

"#" indicates a package specification code.

Product Data



Inductance - Frequency Characteristics



Q-Frequency Characteristics

Attention

- 1.This datasheet is downloaded from the website of Murata Manufacturing Co., Ltd. Therefore, it's specifications are subject to change or our products in it may be discontinued without advance notice. Please check with our sales representatives or product engineers before ordering.
- 2.This datasheet has only typical specifications because there is no space for detailed specifications.
Therefore, please review our product specifications or consult the approval sheet for product specifications before ordering.