

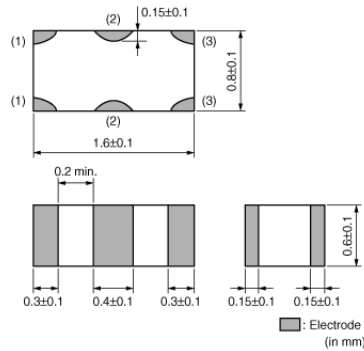
# NFL18SP507X1A3#

"#" indicates a package specification code.



< List of part numbers with package codes >  
NFL18SP507X1A3D NFL18SP507X1A3B

## Appearance & Shape



## Features

The chip "EMIFIL" NFL18SP series is an EMI Suppression filter for high speed signal lines, achieving pi-type structure in 0603 size with Murata's multilayer technology.

### Features

1. Ultra-small size in 1.6x0.8x0.6 mm
2. Achieves high performance in noise suppression over wide frequency range
3. Steep insertion loss characteristics realize excellent noise suppression and prevent distortion of signal waveform.
4. Line up 4 items of cut-off frequency from 150 to 500MHz

## Applications

Other Usage	For general
-------------	-------------

### Applications

EMI suppression for digital signal line such as RGB and high speed clock lines

## Packaging Information

Packaging	Specifications	Minimum Order Quantity
D	180mm Paper Tape	4000
B	Bulk(Bag)	1000

### Attention

1. This datasheet is downloaded from the website of Murata Manufacturing Co., Ltd. Therefore, its specifications are subject to change or our products in it may be discontinued without advance notice. Please check with our sales representatives or product engineers before ordering.
2. This datasheet has only typical specifications because there is no space for detailed specifications. Therefore, please review our product specifications or consult the approval sheet for product specifications before ordering.

# NFL18SP507X1A3#

"#" indicates a package specification code.



## Specifications

Shape	SMD	Capacitance	11pF
Size Code (in mm)	1608	Capacitance Tolerance	±20%
Size Code (in inch)	0603	Inductance	38nH
Length	1.6mm	Inductance Tolerance	±20%
Length Tolerance	±0.1mm		
Width	0.8mm		
Width Tolerance	±0.1mm		
Thickness	0.6mm		
Thickness Tolerance	±0.1mm		
Rated Current	100mA		
Operating Temperature Range	-55°C to 125°C		
Mass(typ.)	0.004g		
Number of Circuit	1		
Rated Voltage	10Vdc		
Withstanding Voltage	30Vdc		
Insulation Resistance(min.)	1000MΩ		
Nominal Cut-off Frequency	500MHz		

### Attention

1.This datasheet is downloaded from the website of Murata Manufacturing Co., Ltd. Therefore, it's specifications are subject to change or our products in it may be discontinued without advance notice. Please check with our sales representatives or product engineers before ordering.

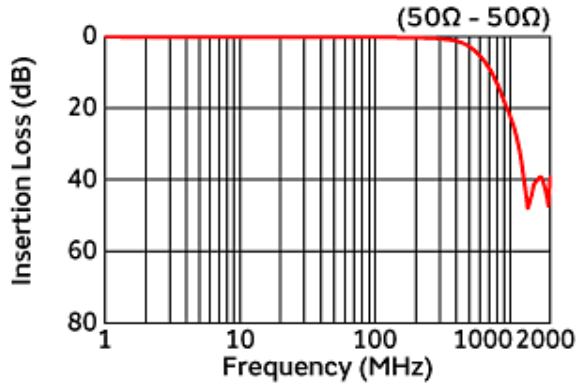
2.This datasheet has only typical specifications because there is no space for detailed specifications.

Therefore, please review our product specifications or consult the approval sheet for product specifications before ordering.

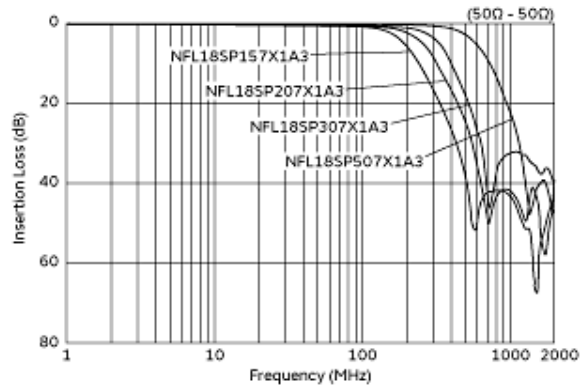
# NFL18SP507X1A3#

"#" indicates a package specification code.

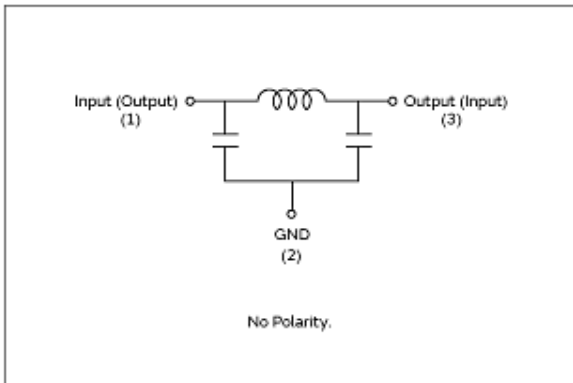
## Product Data



Insertion Loss Characteristics



Insertion Loss Characteristics (Main Items)



Equivalent Circuit

**Attention**

- 1.This datasheet is downloaded from the website of Murata Manufacturing Co., Ltd. Therefore, it's specifications are subject to change or our products in it may be discontinued without advance notice. Please check with our sales representatives or product engineers before ordering.
- 2.This datasheet has only typical specifications because there is no space for detailed specifications. Therefore, please review our product specifications or consult the approval sheet for product specifications before ordering.