

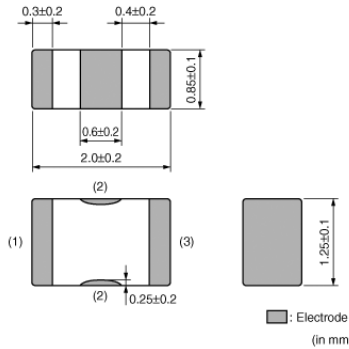
NFL21SP207X1C3#

“#” indicates a package specification code.



< List of part numbers with package codes >
NFL21SP207X1C3D NFL21SP207X1C3B

Appearance & Shape



Features

The chip "EMIFIL" NFL21SP series is a high performance EMI suppression filter in 2.0x1.25mm size for high speed signal lines by using Murata's processing technology.

Features

1. Suppresses noise with little attenuation of the signal itself due to its steep filtering characteristics.
2. Murata's original internal structure design enables excellent noise suppression up to high frequencies.
3. Available in ten different values of cut-off frequency ranging from 10MHz up to 500MHz.

Applications

Applications

Suppression of high magnitude radiated noise generated by high speed digital circuits such as clock and RGB

Other Usage	For general
-------------	-------------

Packaging Information

Packaging	Specifications	Minimum Order Quantity
D	180mm Paper Tape	4000
B	Bulk(Bag)	1000

Attention

1. This datasheet is downloaded from the website of Murata Manufacturing Co., Ltd. Therefore, it's specifications are subject to change or our products in it may be discontinued without advance notice. Please check with our sales representatives or product engineers before ordering.
2. This datasheet has only typical specifications because there is no space for detailed specifications. Therefore, please review our product specifications or consult the approval sheet for product specifications before ordering.

NFL21SP207X1C3#

“#” indicates a package specification code.



Specifications

Shape	SMD	Capacitance	22pF
Size Code (in mm)	2012	Capacitance Tolerance	±20%
Size Code (in inch)	0805	Inductance	72nH
Length	2.0mm	Inductance Tolerance	±20%
Length Tolerance	±0.2mm		
Width	1.25mm		
Width Tolerance	±0.1mm		
Thickness	0.85mm		
Thickness Tolerance	±0.1mm		
Rated Current	250mA		
Operating Temperature Range	-55°C to 125°C		
Mass(typ.)	0.009g		
Number of Circuit	1		
Rated Voltage	16Vdc		
Withstanding Voltage	50Vdc		
Insulation Resistance(min.)	1000MΩ		
Nominal Cut-off Frequency	200MHz		

Attention

1.This datasheet is downloaded from the website of Murata Manufacturing Co., Ltd. Therefore, it's specifications are subject to change or our products in it may be discontinued without advance notice. Please check with our sales representatives or product engineers before ordering.

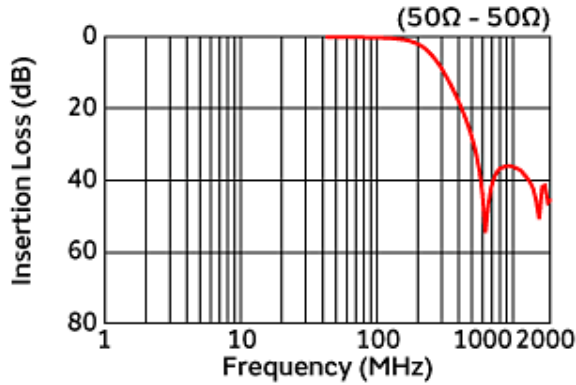
2.This datasheet has only typical specifications because there is no space for detailed specifications.

Therefore, please review our product specifications or consult the approval sheet for product specifications before ordering.

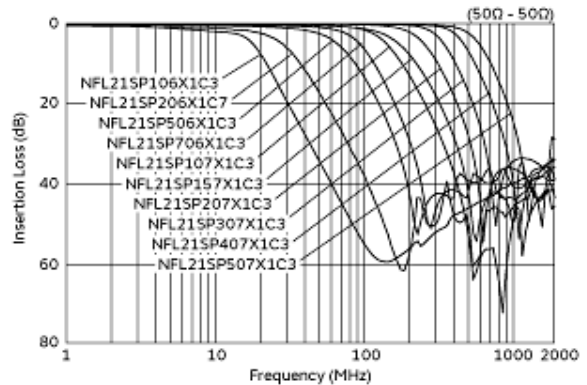
NFL21SP207X1C3#

"#" indicates a package specification code.

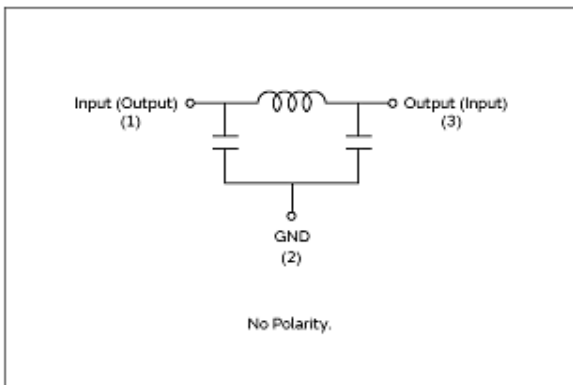
Product Data



Insertion Loss Characteristics



Insertion Loss Characteristics (Main Items)



Equivalent Circuit

Attention

1.This datasheet is downloaded from the website of Murata Manufacturing Co., Ltd. Therefore, it's specifications are subject to change or our products in it may be discontinued without advance notice. Please check with our sales representatives or product engineers before ordering.
2.This datasheet has only typical specifications because there is no space for detailed specifications.
Therefore, please review our product specifications or consult the approval sheet for product specifications before ordering.