

BNX029-01#

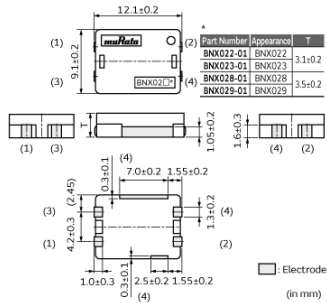
“#” indicates a package specification code.



< List of part numbers with package codes >

BNX029-01K BNX029-01L BNX029-01B

Appearance & Shape



Features

BNX02□ series is SMD type high performance and provides excellent noise suppression on DC power lines.

Features

1. Large rated current (10A-15A)
2. Supporting wide frequency range
From 15kHz to 1GHz:35dB min. (BNX029)
3. Mounting area and volume is reduced.
4. Effective for impulse noise such as electrostatic discharge or spike noise.

Applications

1. Displays (PDP/LCD-TV)
2. Digital A/V equipment
3. Amusement equipment
4. PC peripheral equipment
5. Industry equipment, measurement equipment, power supplies

Applications

Other Usage	For general
-------------	-------------

Packaging Information

Packaging	Specifications	Minimum Order Quantity
K	330mm Embossed Tape	1500
L	180mm Embossed Tape	400
B	Bulk(Bag)	100

Attention

1. This datasheet is downloaded from the website of Murata Manufacturing Co., Ltd. Therefore, it's specifications are subject to change or our products in it may be discontinued without advance notice. Please check with our sales representatives or product engineers before ordering.
2. This datasheet has only typical specifications because there is no space for detailed specifications.
Therefore, please review our product specifications or consult the approval sheet for product specifications before ordering.

BNX029-01#

“#” indicates a package specification code.

Specifications

Shape	SMD
Length	12.1mm
Length Tolerance	±0.2mm
Width	9.1mm
Width Tolerance	±0.2mm
Thickness	3.5mm
Thickness Tolerance	±0.2mm
Rated Current	20A
Operating Temperature Range	-40°C to 125°C
Mass(typ.)	0.8g
Rated Voltage	6.3Vdc
Withstanding Voltage	15.8Vdc
Insulation Resistance(min.)	0.5MΩ
Insertion Loss	15kHz to 1GHz:35dB min. (Line impedance=50Ω)

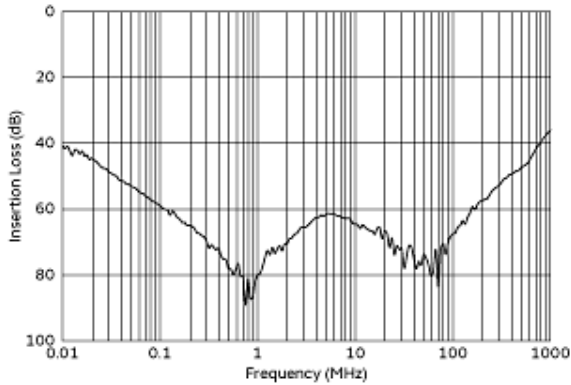
Attention

- 1.This datasheet is downloaded from the website of Murata Manufacturing Co., Ltd. Therefore, it's specifications are subject to change or our products in it may be discontinued without advance notice. Please check with our sales representatives or product engineers before ordering.
- 2.This datasheet has only typical specifications because there is no space for detailed specifications.
Therefore, please review our product specifications or consult the approval sheet for product specifications before ordering.

BNX029-01#

"#" indicates a package specification code.

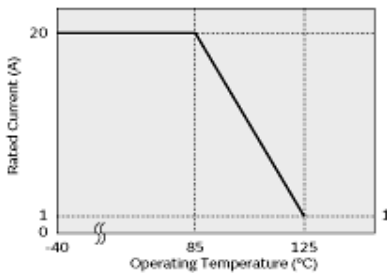
Product Data



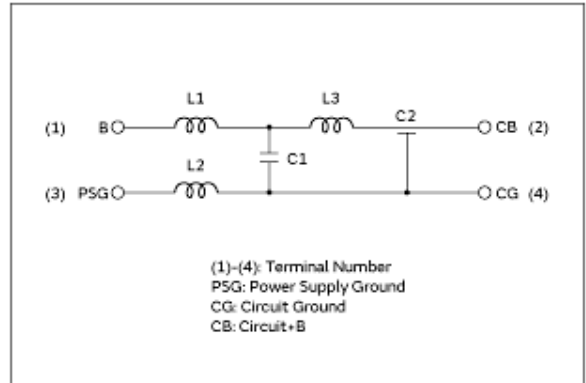
Insertion Loss Characteristics

In operating temperature exceeding +85°C, derating of current is necessary for BNX023/029 series. Please apply the derating curve shown in chart according to the operating temperature.

Derating of Rated Current



Derating of Rated Current



Equivalent Circuit

Attention

- 1.This datasheet is downloaded from the website of Murata Manufacturing Co., Ltd. Therefore, it's specifications are subject to change or our products in it may be discontinued without advance notice. Please check with our sales representatives or product engineers before ordering.
- 2.This datasheet has only typical specifications because there is no space for detailed specifications. Therefore, please review our product specifications or consult the approval sheet for product specifications before ordering.