

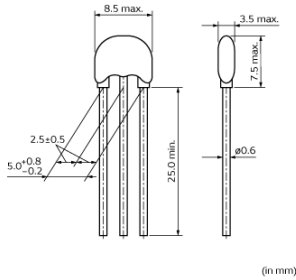
DSS1NB32A682Q55#

“##” indicates a package specification code.



< List of part numbers with package codes >
DSS1NB32A682Q55B

Appearance & Shape



Features

DSS1 series is a compact, high performance lead type 3 terminal capacitor which can be mounted in 2.54mm pitch. Its three terminal structure enables nice high frequency performance. Wide capacitance variation enables flexible selection for various noise frequencies. High speed mounting is available with automatic insertion machine.

Applications

| | |
|-------------|-------------|
| Other Usage | For general |
|-------------|-------------|

Packaging Information

| Packaging | Specifications | Minimum Order Quantity |
|-----------|----------------|------------------------|
| B | Bulk(Bag) | 250 |

Attention

1.This datasheet is downloaded from the website of Murata Manufacturing Co., Ltd. Therefore, it's specifications are subject to change or our products in it may be discontinued without advance notice. Please check with our sales representatives or product engineers before ordering.
2.This datasheet has only typical specifications because there is no space for detailed specifications.
Therefore, please review our product specifications or consult the approval sheet for product specifications before ordering.

DSS1NB32A682Q55#

“#” indicates a package specification code.



Specifications

| | |
|-----------------------------|-----------------------------------|
| Shape | Lead |
| Length | 8.5mm |
| Length Tolerance | max. |
| Width | 3.5mm |
| Width Tolerance | max. |
| Thickness | 7.5mm |
| Thickness Tolerance | max. |
| Rated Current | 6A |
| Operating Temperature Range | -40°C to 85°C |
| Mass(typ.) | 0.45g |
| Number of Circuit | 1 |
| Insulation Resistance(min.) | 1000MΩ |
| Rated Voltage | 100Vdc |
| Withstanding Voltage | 250Vdc |
| Capacitance | 6800pF |
| Capacitance Tolerance | ±10% |
| Structure/Shape | Small type beads inside(straight) |

Attention

1.This datasheet is downloaded from the website of Murata Manufacturing Co., Ltd. Therefore, it's specifications are subject to change or our products in it may be discontinued without advance notice. Please check with our sales representatives or product engineers before ordering.

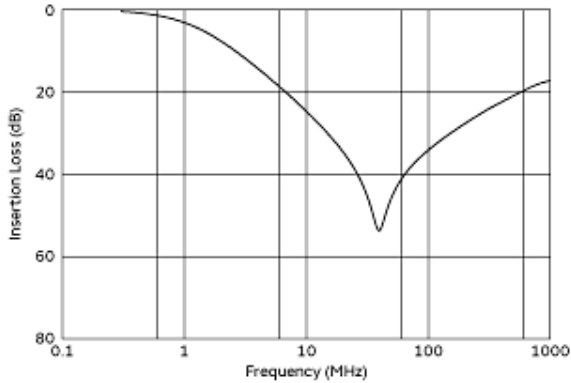
2.This datasheet has only typical specifications because there is no space for detailed specifications.

Therefore, please review our product specifications or consult the approval sheet for product specifications before ordering.

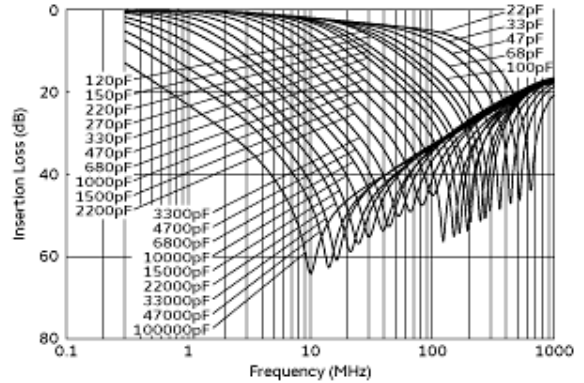
DSS1NB32A682Q55#

“##” indicates a package specification code.

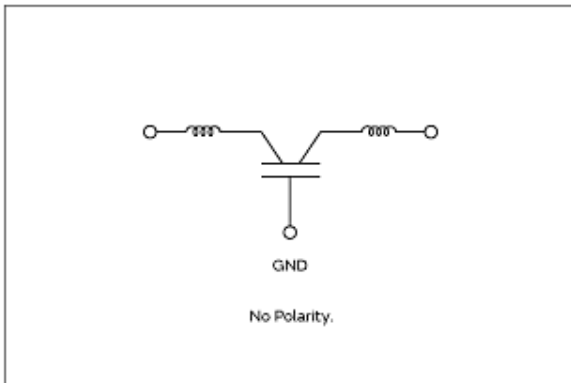
Product Data



Insertion Loss Characteristics



Insertion Loss Characteristics (Main Items)



Equivalent Circuit

Attention

- 1.This datasheet is downloaded from the website of Murata Manufacturing Co., Ltd. Therefore, it's specifications are subject to change or our products in it may be discontinued without advance notice. Please check with our sales representatives or product engineers before ordering.
- 2.This datasheet has only typical specifications because there is no space for detailed specifications. Therefore, please review our product specifications or consult the approval sheet for product specifications before ordering.