

# DLP11RN450UL2#

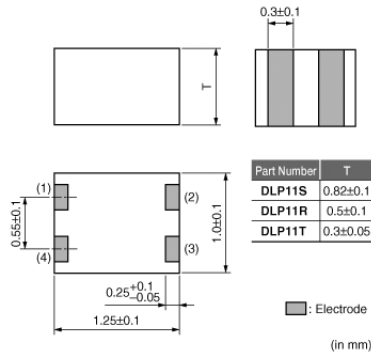
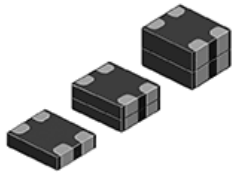
“#” indicates a package specification code.



< List of part numbers with package codes >

DLP11RN450UL2B DLP11RN450UL2L

## Appearance & Shape



## Features

1. Small size and tight dimension.  
(L×W = 1.25×1.0mm T = 0.5+/-0.1mm)
2. Low Rdc.
3. High magnetic coupling factor (k>=0.98) enables effective noise suppression without damaging to high speed differential signal waveform.
4. Designed to match line impedance(90Ω) such as USB.
5. Lower DC resistance than conventional film type common mode choke coil enables lower damping to waveform.

### Applications

Common mode noise suppression for high speed differential signal lines(ex.USB2.0) in compact mobile equipments such as digital cameras, note PCs and mobile phones.

## Applications

Other Usage	For general
-------------	-------------

## Packaging Information

Packaging	Specifications	Minimum Order Quantity
B	Bulk(Bag)	500
L	180mm Embossed Tape	4000

### Attention

- 1.This datasheet is downloaded from the website of Murata Manufacturing Co., Ltd. Therefore, it's specifications are subject to change or our products in it may be discontinued without advance notice. Please check with our sales representatives or product engineers before ordering.
- 2.This datasheet has only typical specifications because there is no space for detailed specifications.  
Therefore, please review our product specifications or consult the approval sheet for product specifications before ordering.

# DLP11RN450UL2#

“#” indicates a package specification code.



## Specifications

Shape	SMD	Operating Temperature Range	-40°C to 85°C
Size Code (in mm)	1210	Mass(typ.)	0.002g
Size Code (in inch)	0504	Number of Circuit	1
Length	1.25mm	Operating Temperature Range(Self-temperature rise is included)	No
Length Tolerance	±0.1mm		
Width	1.0mm		
Width Tolerance	±0.1mm		
Thickness	0.5mm		
Thickness Tolerance	±0.1mm		
Common Mode Impedance (at 100MHz)	45Ω		
Common Mode Impedance (at 100MHz) Tolerance	±25%		
Rated Current	100mA		
Rated Voltage	5Vdc		
Withstanding Voltage	12.5Vdc		
DC Resistance(max.)	1Ω		
DC Resistance	0.8Ω±25%		
Insulation Resistance(min.)	100MΩ		

### Attention

1.This datasheet is downloaded from the website of Murata Manufacturing Co., Ltd. Therefore, it's specifications are subject to change or our products in it may be discontinued without advance notice. Please check with our sales representatives or product engineers before ordering.

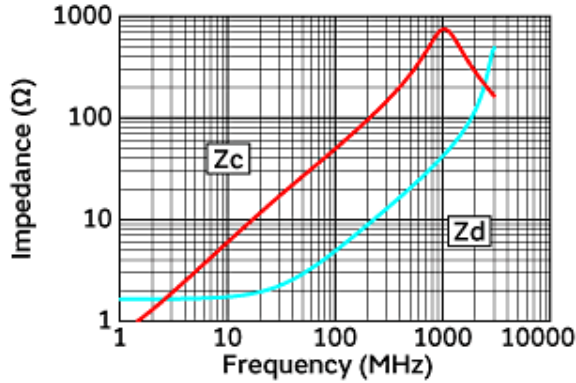
2.This datasheet has only typical specifications because there is no space for detailed specifications.

Therefore, please review our product specifications or consult the approval sheet for product specifications before ordering.

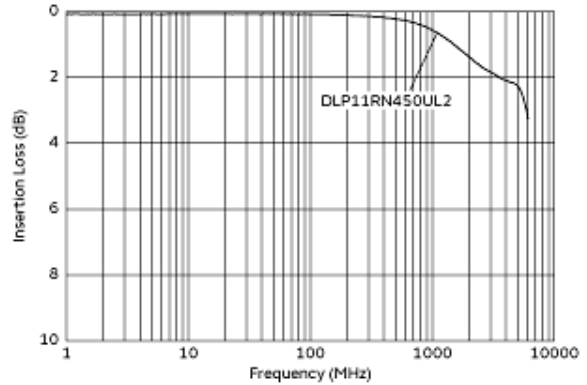
# DLP11RN450UL2#

“#” indicates a package specification code.

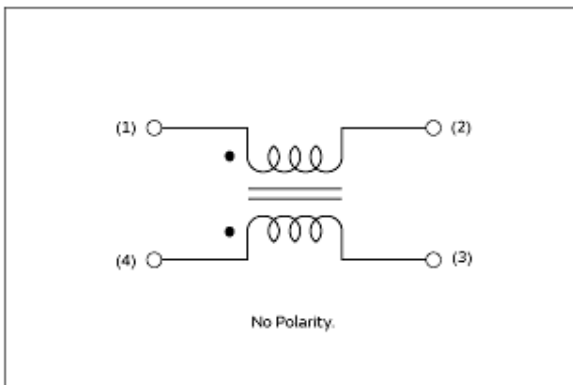
## Product Data



Impedance-Frequency Characteristics



Differential Mode Transmission Characteristics (Typical Value)



Equivalent Circuit

**Attention**

1.This datasheet is downloaded from the website of Murata Manufacturing Co., Ltd. Therefore, it's specifications are subject to change or our products in it may be discontinued without advance notice. Please check with our sales representatives or product engineers before ordering.  
2.This datasheet has only typical specifications because there is no space for detailed specifications.  
Therefore, please review our product specifications or consult the approval sheet for product specifications before ordering.