

DLW21HN900SQ2#

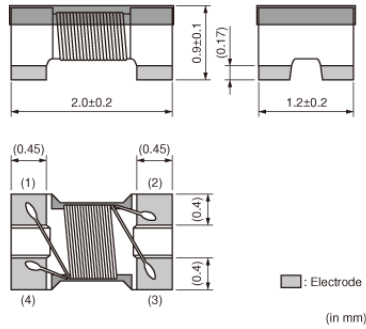
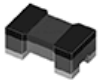
“#” indicates a package specification code.



< List of part numbers with package codes >

DLW21HN900SQ2B DLW21HN900SQ2L

Appearance & Shape



Features

1. Small size and low profile (2.0x1.2x0.9mm). Excellent noise suppression for sets of small and thin size.
2. High common mode impedance at high frequency effects excellent noise suppression performance.
3. Various common mode impedance from 67 to 180 ohm can be used, selected depending on noise level and signal frequency.
4. Suitable for differential signal line like USB2.0, IEEE1394 and LVDS, because DLW21H does not provide distortion to high speed signal transmission due to its high coupling. (USB2.0: DLW21HN900SQ2)
5. Small dimension enables higher density mounting

Applications

Applications
Common mode noise suppression of signal lines in high speed and high density digital equipment such as PCs and peripherals and telecommunications equipment.

| | |
|-------------|-------------|
| Other Usage | For general |
|-------------|-------------|

Packaging Information

| Packaging | Specifications | Minimum Order Quantity |
|-----------|---------------------|------------------------|
| B | Bulk(Bag) | 500 |
| L | 180mm Embossed Tape | 3000 |

Attention

1. This datasheet is downloaded from the website of Murata Manufacturing Co., Ltd. Therefore, its specifications are subject to change or our products in it may be discontinued without advance notice. Please check with our sales representatives or product engineers before ordering.
2. This datasheet has only typical specifications because there is no space for detailed specifications. Therefore, please review our product specifications or consult the approval sheet for product specifications before ordering.

DLW21HN900SQ2#

“#” indicates a package specification code.



Specifications

| | | | |
|---|------------|--|---------------|
| Shape | SMD | Operating Temperature Range | -40°C to 85°C |
| Size Code (in mm) | 2012 | Mass(typ.) | 0.009g |
| Size Code (in inch) | 0805 | Number of Circuit | 1 |
| Length | 2.0mm | Operating Temperature Range(Self-temperature rise is included) | No |
| Length Tolerance | ±0.2mm | | |
| Width | 1.2mm | | |
| Width Tolerance | ±0.2mm | | |
| Thickness | 0.9mm | | |
| Thickness Tolerance | ±0.1mm | | |
| Common Mode Impedance (at 100MHz) | 90Ω | | |
| Common Mode Impedance (at 100MHz) Tolerance | ±25% | | |
| Rated Current | 330mA | | |
| Rated Voltage | 50Vdc | | |
| Withstanding Voltage | 125Vdc | | |
| DC Resistance(max.) | 0.35Ω | | |
| DC Resistance | 0.35Ω max. | | |
| Insulation Resistance(min.) | 10MΩ | | |

Attention

1.This datasheet is downloaded from the website of Murata Manufacturing Co., Ltd. Therefore, it's specifications are subject to change or our products in it may be discontinued without advance notice. Please check with our sales representatives or product engineers before ordering.

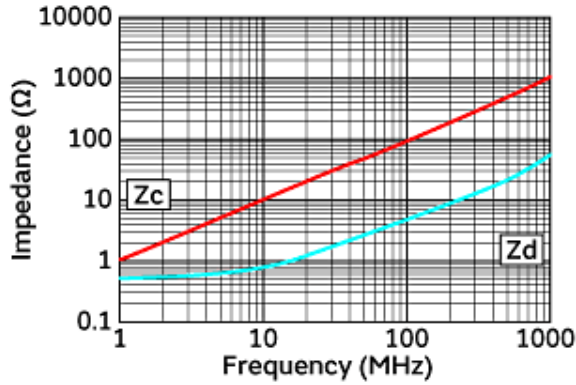
2.This datasheet has only typical specifications because there is no space for detailed specifications.

Therefore, please review our product specifications or consult the approval sheet for product specifications before ordering.

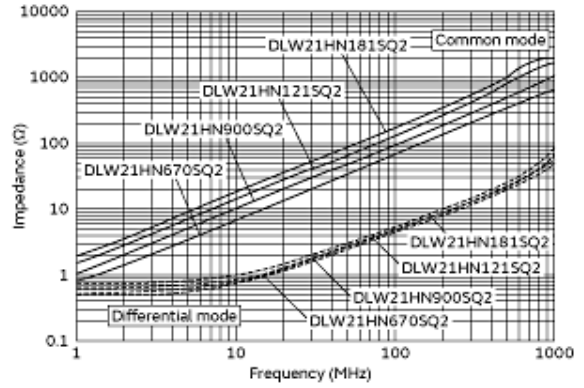
DLW21HN900SQ2#

“#” indicates a package specification code.

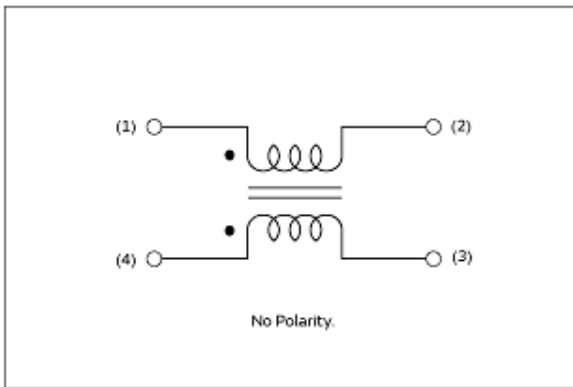
Product Data



Impedance-Frequency Characteristics



Impedance-Frequency Characteristics (Main Items)



Equivalent Circuit

Attention

- 1.This datasheet is downloaded from the website of Murata Manufacturing Co., Ltd. Therefore, it's specifications are subject to change or our products in it may be discontinued without advance notice. Please check with our sales representatives or product engineers before ordering.
- 2.This datasheet has only typical specifications because there is no space for detailed specifications. Therefore, please review our product specifications or consult the approval sheet for product specifications before ordering.