

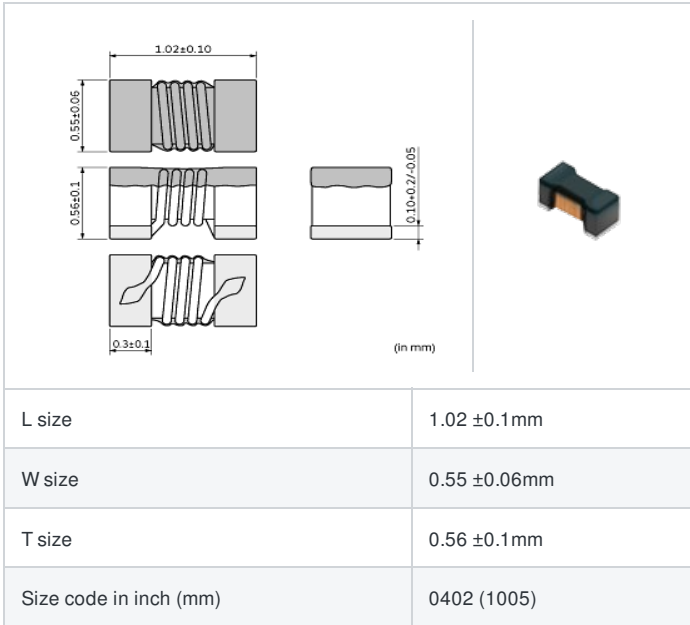
LQW15CA2R0K00#

indicates a package specification code.



< List of part numbers with package codes >
LQW15CA2R0K00D , LQW15CA2R0K00B

Shape



Notes

Typical impedance: 510Ω (typ) @ 900MHz/610Ω (typ) @ 1.7GHz

References

Packaging code	Specifications	Minimum quantity
D	φ180mm Paper taping	10000
B	Packing in bulk	500

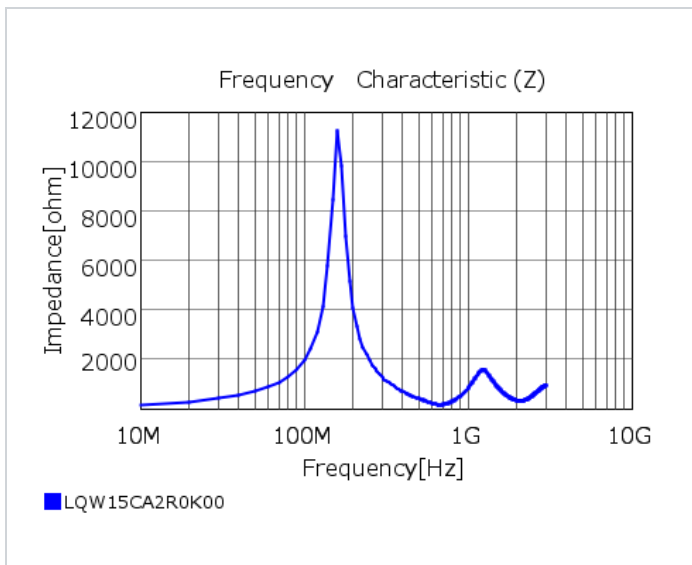
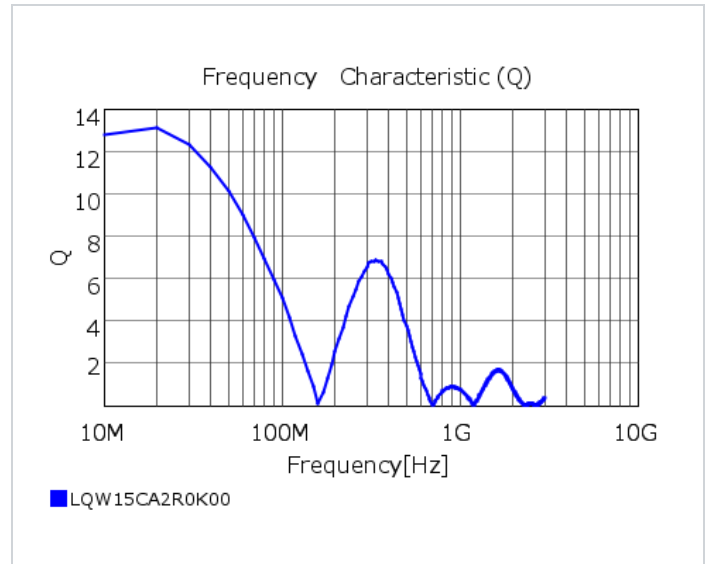
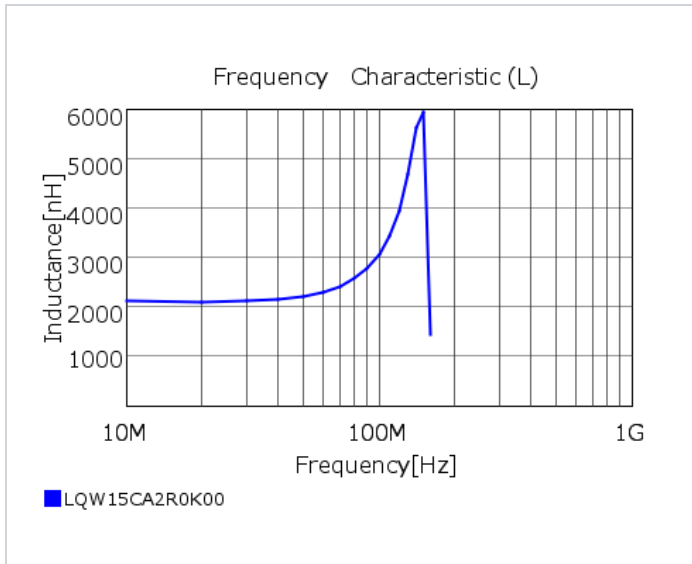
Mass (Typ.)	
1 piece	0.0012g

Specifications

Inductance	2000nH ±10%
Inductance test frequency	10MHz
Rated current (Itemp) (Based on Temperature rise)	130mA
Max. of DC resistance	3.20Ω
Self resonance frequency (min.)	120MHz
Operating temperature range (Self-temperature rise is included)	-40~125°C
Class of magnetic shield	No Shield
Series	LQW15CA_00

Attention

- 1.This datasheet is downloaded from the website of Murata Manufacturing Co., Ltd. Therefore, it's specifications are subject to change or our products in it may be discontinued without advance notice. Please check with our sales representatives or product engineers before ordering.
- 2.This datasheet has only typical specifications because there is no space for detailed specifications. Therefore, please review our product specifications or consult the approval sheet for product specifications before ordering.



⚠ Attention

- 1.This datasheet is downloaded from the website of Murata Manufacturing Co., Ltd. Therefore, it's specifications are subject to change or our products in it may be discontinued without advance notice. Please check with our sales representatives or product engineers before ordering.
 - 2.This datasheet has only typical specifications because there is no space for detailed specifications.
- Therefore, please review our product specifications or consult the approval sheet for product specifications before ordering.