

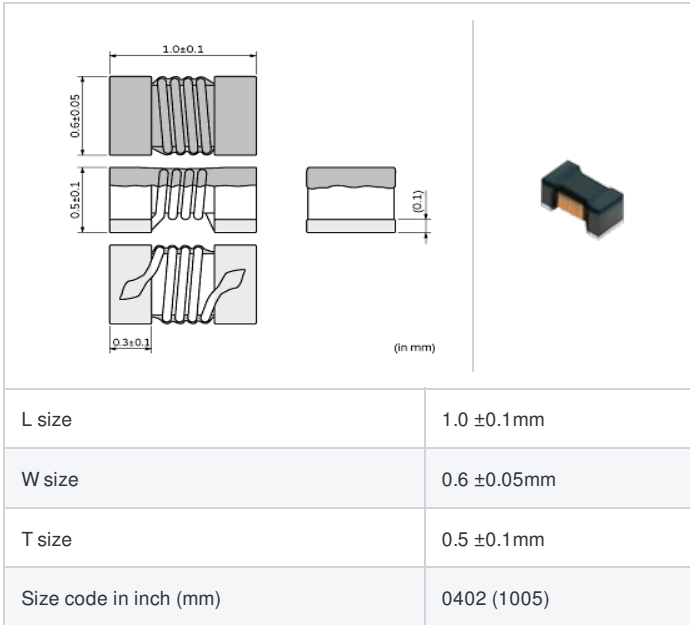
# LQW15CNR42K10#

# indicates a package specification code.



< List of part numbers with package codes >  
 LQW15CNR42K10D , LQW15CNR42K10B

## Shape



## Notes

In operating temperatures exceeding +85°C, derating of current is necessary for the LQW15C series.  
 Please apply the derating curve shown in the chart according to the operating temperature.  
 Please consider "Notice (Rating)."

## References

Packaging code	Specifications	Minimum quantity
D	φ180mm Paper taping	10000
B	Packing in bulk	500

Mass (Typ.)	
1 piece	0.001g

## Specifications

Inductance	420nH ±10%
Inductance test frequency	10MHz
Rated current (Itemp) (Based on Temperature rise)	370mA
Max. of DC resistance	0.62Ω
Self resonance frequency (min.)	400MHz
Operating temperature range (Self-temperature rise is not included)	-55~125°C
Class of magnetic shield	No Shield
Series	LQW15CN_10

### Attention

- 1.This datasheet is downloaded from the website of Murata Manufacturing Co., Ltd. Therefore, it's specifications are subject to change or our products in it may be discontinued without advance notice. Please check with our sales representatives or product engineers before ordering.
- 2.This datasheet has only typical specifications because there is no space for detailed specifications. Therefore, please review our product specifications or consult the approval sheet for product specifications before ordering.

In operating temperatures exceeding +85°C, derating of current is necessary for this series.  
Please apply the derating curve shown in the chart according to the operating temperature.

Derating of Rated Current



 **Attention**

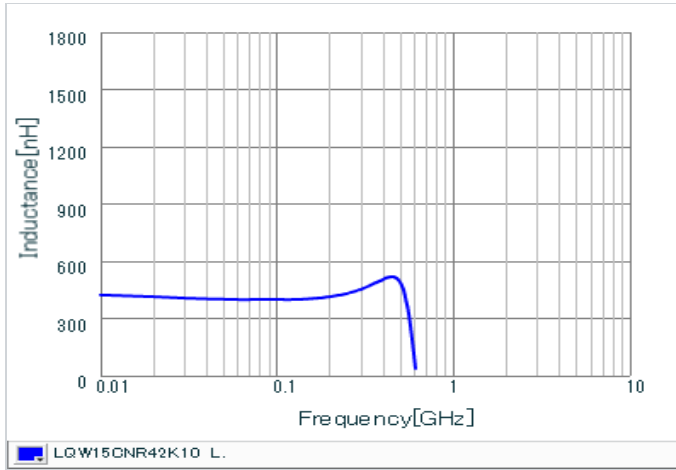
1.This datasheet is downloaded from the website of Murata Manufacturing Co., Ltd. Therefore, it's specifications are subject to change or our products in it may be discontinued without advance notice. Please check with our sales representatives or product engineers before ordering.

2.This datasheet has only typical specifications because there is no space for detailed specifications.

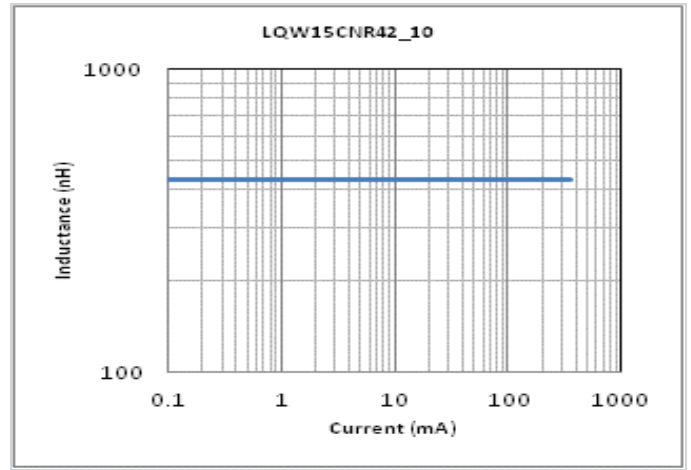
Therefore, please review our product specifications or consult the approval sheet for product specifications before ordering.

**Chart of characteristic data (The charts below may show another part number which shares its characteristics.)**

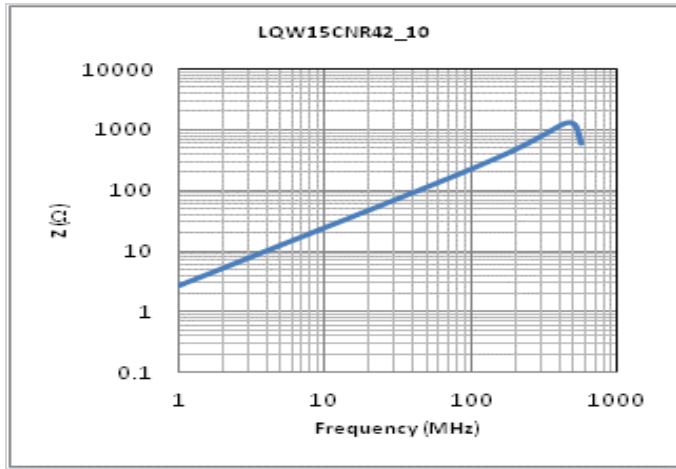
▪ Inductance-Frequency characteristics (Typ.)



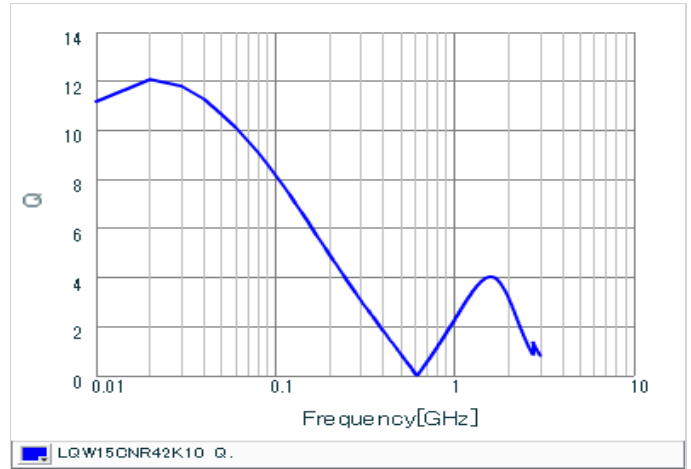
▪ Inductance-Current characteristics (Typ.)



▪ Impedance-Frequency characteristics (Typ.)



▪ Q-Frequency characteristics (Typ.)



**⚠ Attention**

- 1.This datasheet is downloaded from the website of Murata Manufacturing Co., Ltd. Therefore, it's specifications are subject to change or our products in it may be discontinued without advance notice. Please check with our sales representatives or product engineers before ordering.
- 2.This datasheet has only typical specifications because there is no space for detailed specifications. Therefore, please review our product specifications or consult the approval sheet for product specifications before ordering.