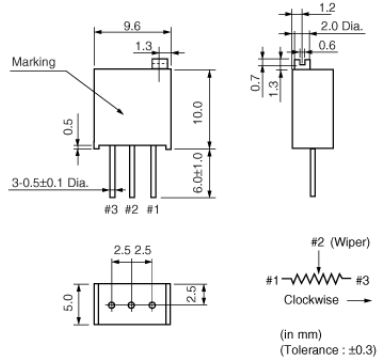


# PV36W103C01B00

Discontinued **RoHS** **REACH**

## Appearance & Shape



## Features

1. High resolution 25-turns potentiometer enables precision adjustment easily.
2. Sealed construction protects the interior from dust and liquid, which achieves stable performance.
3. Available for ultrasonic cleaning after soldering.
4. Clutch mechanism prevents excessive wiper rotation.

## Packaging Information

Packaging	Specifications	Minimum Order Quantity
B00	Bulk(Bag)	100

### Attention

1.This datasheet is downloaded from the website of Murata Manufacturing Co., Ltd. Therefore, it's specifications are subject to change or our products in it may be discontinued without advance notice. Please check with our sales representatives or product engineers before ordering.  
2.This datasheet has only typical specifications because there is no space for detailed specifications.  
Therefore, please review our product specifications or consult the approval sheet for product specifications before ordering.

# PV36W103C01B00



## Specifications

Power Rating	0.5W	Operating Temperature Range	-55°C to 125°C
Shape	Lead	Mass	1g
Maximum Working Voltage	300Vdc		
Adjustment Direction	Top		
Size	10mm		
Auto Adjustment	No		
Number of Turns (Effective Rotation Angle)	25		
Mechanical Rotation Angle	-		
Total Resistance Value	10kΩ		
Total Resistance Value Tolerance	±10%		
Temperature Coefficient of Resistance	±100ppm/°C		
Resistance Taper	B (Linear)		
Contact Resistance Variation	Less than 3% of total resistance value or 3ohm, whichever is greater		
Residual Resistance	2ohm max.		
Soldering Method	Flow Soldering Iron		
Torque	14.7mN·m max.		
Measure Condition of RatedPower	70°C		

### Attention

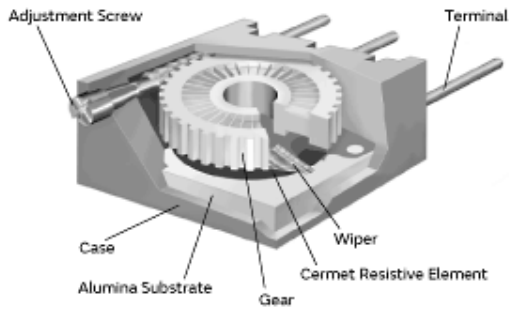
1.This datasheet is downloaded from the website of Murata Manufacturing Co., Ltd. Therefore, it's specifications are subject to change or our products in it may be discontinued without advance notice. Please check with our sales representatives or product engineers before ordering.

2.This datasheet has only typical specifications because there is no space for detailed specifications.

Therefore, please review our product specifications or consult the approval sheet for product specifications before ordering.

# PV36W103C01B00

## Product Data



### Constructions

#### Attention

- 1.This datasheet is downloaded from the website of Murata Manufacturing Co., Ltd. Therefore, it's specifications are subject to change or our products in it may be discontinued without advance notice. Please check with our sales representatives or product engineers before ordering.
- 2.This datasheet has only typical specifications because there is no space for detailed specifications.  
Therefore, please review our product specifications or consult the approval sheet for product specifications before ordering.