

NOTES

1. MATERIALS :  
 HOUSING - LCP, GLASS FILLED, UL94-V0, COLOR: BLACK.  
 POWER PIN - COPPER ALLOY
2. FINISHES :  
 0.76 MICROMETER MINIMUM GOLD AT CONTACT AREA AND  
 2.54 MICROMETER MINIMUM TIN AT SOLDER TAIL AREA  
 OVER 1.27 μm MINIMUM NICKEL UNDERPLATE.
3. PRODUCT SPECIFICATION: PS-78231-006.
4. COMPONENT STAY AWAY ZONE FROM CONNECTOR.
5. PCB NOTE FOR PLATED HOLE.

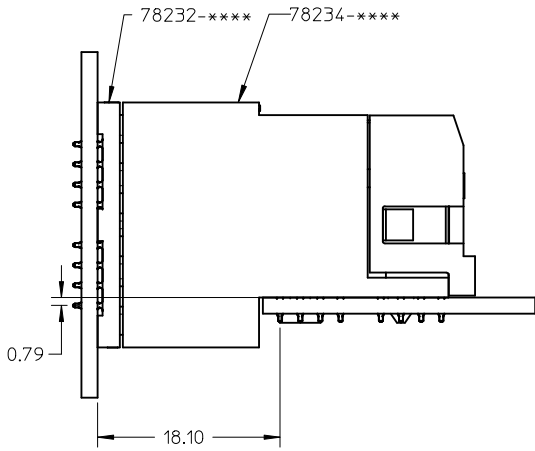
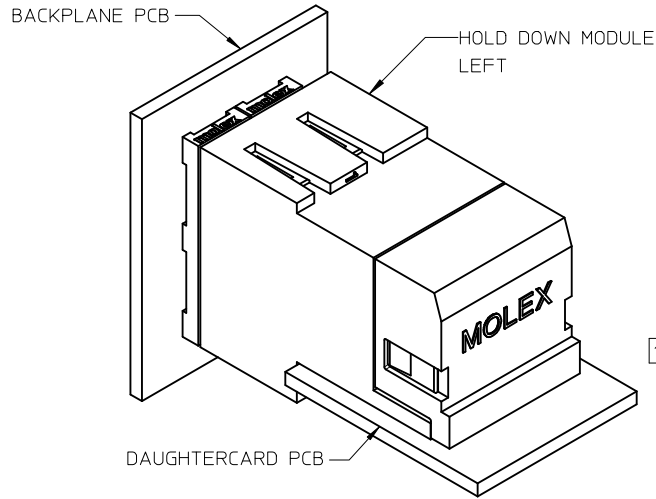
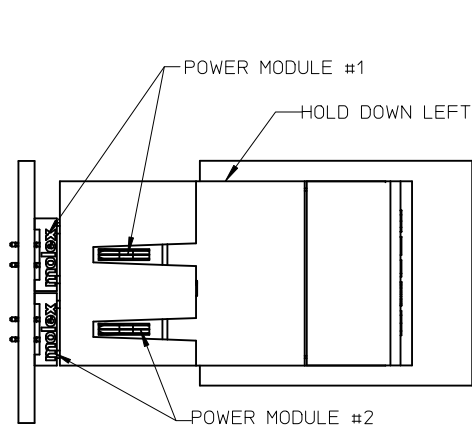
TYPE OF PLATED HOLE	DRILLED HOLE SIZE	PLATING THICKNESS	PLATED HOLE SIZE ØDIM H*
TIN	0.838	0.007 MIN TIN/SILVER OVER 0.03 TO 0.08 COPPER PLATING	0.725 ± 0.075
SILVER	0.863		0.750 ± 0.050

SEE SHEET 2 AND 3 FOR RECOMMENDED PCB LAYOUT.

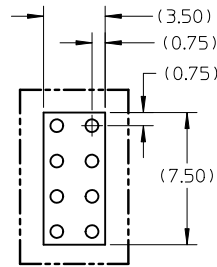
6. MATES WITH 78234-\*\*\*\*.
7. PART NUMBER AND YEAR-WK CODE.
8. ADJACENT POWER MODULE PITCH.
9. PACKAGING PROCEDURE AS PER PK-78232-001.

REMOVE PB/SN EC NO: S2012-0580 DRWN: SHONG CHKD: LNG APPR: NAGESHKIN	2012/01/31 2012/02/13 2012/02/13	DESCRIPTION A1	QUALITY SYMBOLS	GENERAL TOLERANCES (UNLESS SPECIFIED)	DIMENSION STYLE	SCALE	DESIGN UNITS	THIRD ANGLE PROJECTION	
			▽=0	mm INCH	MM ONLY	NTS	METRIC	⊙ □	
			∇=0	4 PLACES ± --- ± ---	DRAWN BY DATE	TITLE	I-TRAC POWER, 11 ROW VERTICAL RECEPTACLE PRESS-FIT MOLEX INCORPORATED		
				3 PLACES ± --- ± ---	CHECKED BY DATE				
	2 PLACES ± 0.25 ± ---	APPROVED BY DATE							
	1 PLACE ± --- ± ---								
				ANGULAR ± 3 °	MATERIAL NO.	DOCUMENT NO.			
				DRAFT WHERE APPLICABLE MUST REMAIN WITHIN DIMENSIONS	78232-1001	SD-78232-011			
					SIZE A3	THIS DRAWING CONTAINS INFORMATION THAT IS PROPRIETARY TO MOLEX INCORPORATED AND SHOULD NOT BE USED WITHOUT WRITTEN PERMISSION			

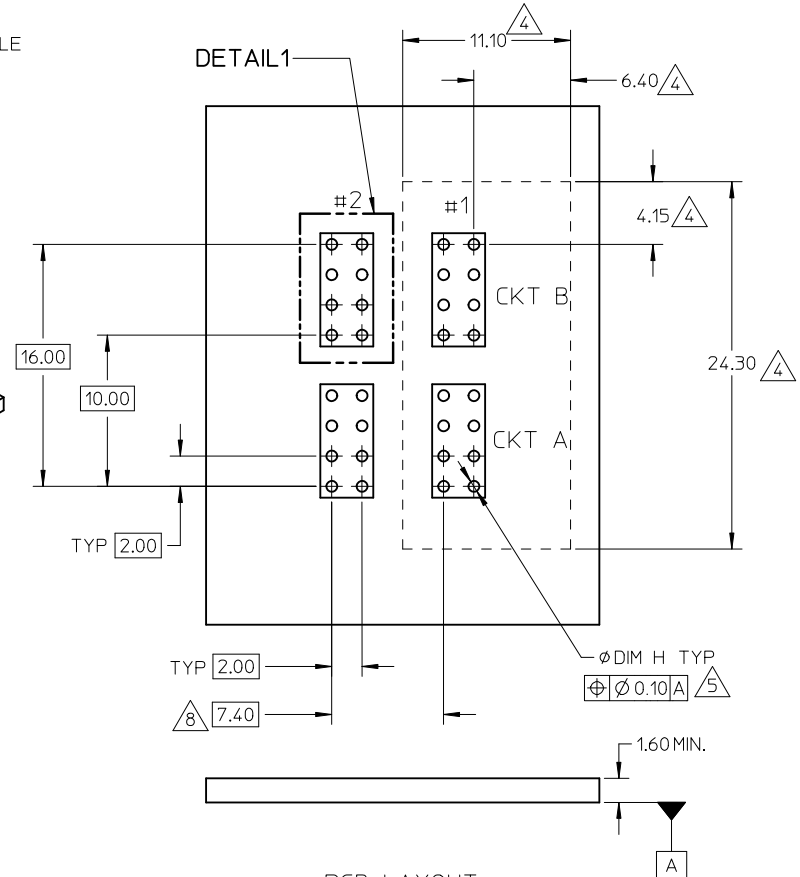
# MATED DIMENSIONS AND PCB LAYOUT WITH HEADER HOLD DOWN LEFT



MATED SYSTEM FOR 78232 & 78234



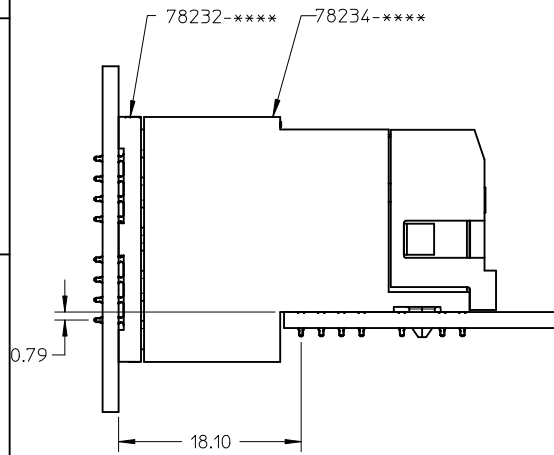
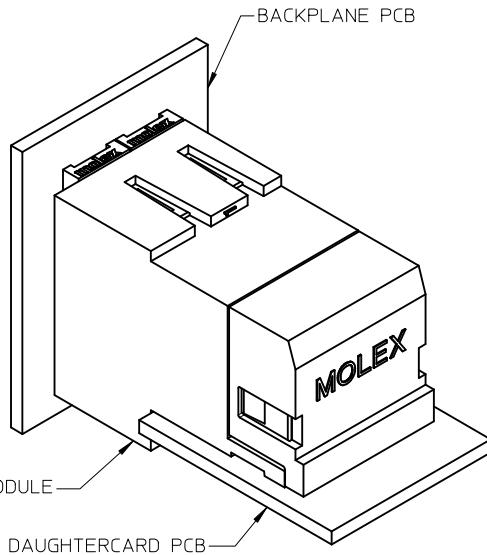
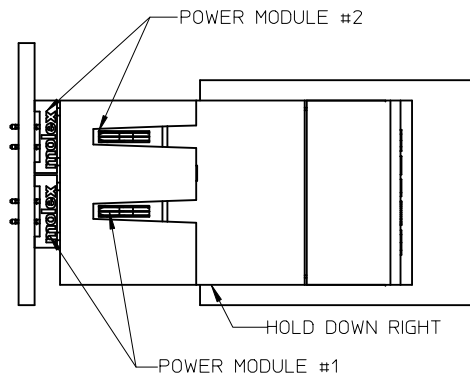
DETAIL1  
COPPER PAD REFERENCE



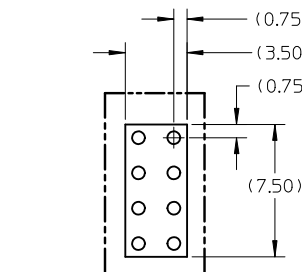
PCB LAYOUT  
(MATED WITH HEADER HOLD DOWN MODULE LEFT)  
COMPONENT SIDE SHOWN

REMOVE PB/SN EC NO: S2012-0580 DRWN: SHONG CHKD: LNG APPR: NAGESHKN	2012/01/31 2012/02/13 2012/02/13	DESCRIPTION ▽=0 ◻=0	GENERAL TOLERANCES (UNLESS SPECIFIED)		DIMENSION STYLE	SCALE	DESIGN UNITS	THIRD ANGLE PROJECTION			
			mm	INCH	MM ONLY	NTS	METRIC	⊘			
			4 PLACES	± ---	± ---	DRAWN BY	DATE	TITLE <b>I-TRAC POWER, 11 ROW VERTICAL RECEPTACLE PRESS-FIT</b>			
			3 PLACES	± ---	± ---	SHONG	2006/08/15				
2 PLACES	± 0.25	± ---	CHECKED BY	DATE	MOLEX INCORPORATED						
1 PLACE	± ---	± ---	LNG	2006/08/25							
ANGULAR ± 3 °			APPROVED BY		DATE	DOCUMENT NO. <b>SD-78232-011</b>					
DRAFT WHERE APPLICABLE MUST REMAIN WITHIN DIMENSIONS		NAGESHKN		2012/01/06	SHEET NO. <b>2 OF 3</b>						
A1	REV	MATERIAL NO. <b>78232-1001</b>		SIZE <b>A3</b>				THIS DRAWING CONTAINS INFORMATION THAT IS PROPRIETARY TO MOLEX INCORPORATED AND SHOULD NOT BE USED WITHOUT WRITTEN PERMISSION			

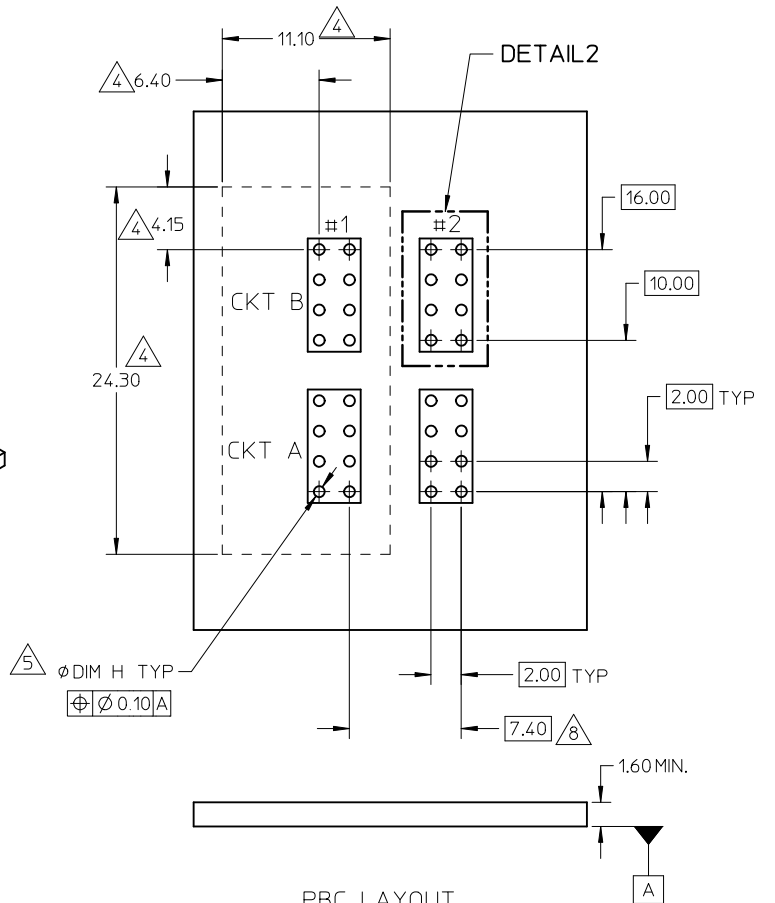
# MATED DIMENSIONS AND PCB LAYOUT WITH HEADER HOLD DOWN RIGHT



MATED SYSTEM FOR 78232 & 78234



DETAIL2  
COPPER PAD REFERENCE



PBC LAYOUT  
(MATED WITH HEADER HOLD DOWN RIGHT)  
COMPONENT SIDE SHOWN

REMOVE PB/SN EC NO: S2012-0580 DRWN: SHONG CHKD: LNG APPR: NAGESHKN	DESCRIPTION REV	QUALITY SYMBOLS		GENERAL TOLERANCES (UNLESS SPECIFIED)		DIMENSION STYLE		SCALE	DESIGN UNITS	THIRD ANGLE PROJECTION	
				mm	INCH	MM ONLY		NTS	METRIC		
		▽=0	∠=0	4 PLACES	± ---	± ---	DRAWN BY	DATE	TITLE	I-TRAC POWER, 11 ROW VERTICAL RECEPTACLE PRESS-FIT	
				3 PLACES	± ---	± ---	SHONG	2006/08/15			
			2 PLACES	± 0.25	± ---	CHECKED BY	DATE		MOLEX INCORPORATED		
			1 PLACE	± ---	± ---	LNG	2006/08/25				
				ANGULAR ± 3 °		APPROVED BY	DATE				
				DRAFT WHERE APPLICABLE MUST REMAIN WITHIN DIMENSIONS		NAGESHKN	2012/01/06				
						MATERIAL NO.			DOCUMENT NO.		
						78232-1001		SD-78232-011		SHEET NO.	
						SIZE A3		THIS DRAWING CONTAINS INFORMATION THAT IS PROPRIETARY TO MOLEX INCORPORATED AND SHOULD NOT BE USED WITHOUT WRITTEN PERMISSION		3 OF 3	