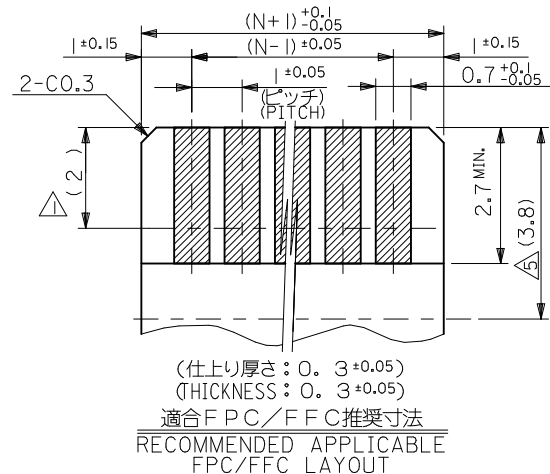
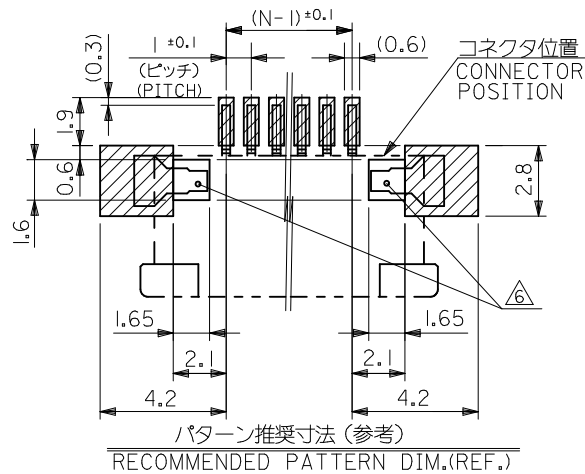


38.7	35.2	33	52207-3485	34
34.7	31.2	29	52207-3085	30
33.7	30.2	28	52207-2985	29
32.7	29.2	27	52207-2885	28
31.7	28.2	26	52207-2785	27
30.7	27.2	25	52207-2685	26
29.7	26.2	24	52207-2585	25
28.7	25.2	23	52207-2485	24
27.7	24.2	22	52207-2385	23
26.7	23.2	21	52207-2285	22
25.7	22.2	20	52207-2185	21
24.7	21.2	19	52207-2085	20
23.7	20.2	18	52207-1985	19
22.7	19.2	17	52207-1885	18
21.7	18.2	16	52207-1785	17
20.7	17.2	15	52207-1685	16
19.7	16.2	14	52207-1585	15
18.7	15.2	13	52207-1485	14
17.7	14.2	12	52207-1385	13
16.7	13.2	11	52207-1285	12
15.7	12.2	10	52207-1185	11
14.7	11.2	9	52207-1085	10
13.7	10.2	8	52207-0985	9
12.7	9.2	7	52207-0885	8
11.7	8.2	6	52207-0785	7
10.7	7.2	5	52207-0685	6
9.7	6.2	4	52207-0585	5
8.7	5.2	3	52207-0485	4
7.7	4.2	2	52207-0385	3
C	B	A	EMBOSSED PACKAGE オーダー番号 ORDER NO.	極数 CIRCUITS

CONNECTOR SERIES NO. 52207-\*\*\*19

REVISED EC NO: J2011-0135 DRWN: SANUMA 2010/07/26 CHKD: TAKAHASHI 2010/07/27 APPR: KMORIKAWA 2010/07/28	GENERAL TOLERANCES (UNLESS SPECIFIED)		DIMENSION STYLE <b>MM ONLY</b>		SCALE ---	DESIGN UNITS <b>METRIC</b>	THIRD ANGLE PROJECTION
	10 UNDER ±0.2 10 OVER 30 UNDER ±0.25 30 OVER ±0.3	ANGULAR ±3 ° DRAFT WHERE APPLICABLE MUST REMAIN WITHIN DIMENSIONS	DRAWN BY MNINOMIY '04/02/06	DATE '04/02/06	TITLE <b>1.0 PITCH FPC CONN.          ZIF SMT          -LEAD FREE-</b>	MOLEX <b>MOLEX INCORPORATED</b>	DOCUMENT NO. <b>SD-52207-060</b>
REV D	DESCRIPTION	APPROVED BY MSASAO '04/02/06	DATE '04/02/06	THIS DRAWING CONTAINS INFORMATION THAT IS PROPRIETARY TO MOLEX INCORPORATED AND SHOULD NOT BE USED WITHOUT WRITTEN PERMISSION			



注記 NOTES

- △ 接点部までの嵌合長さ。  
LENGTH TO CONTACT POINT.
- 2. 使用材料 MATERIAL
  - ハウジング : 46ナイロン (耐熱性), UL94V-0
  - HOUSING : 46NYLON, UL94V-0
  - アクチュエータ : PPS, UL94V-0
  - ACTUATOR : PPS, UL94V-0
  - ターミナル : 銅
  - TERMINAL : PHOSPHOR BRONZE
- 金具 FITTING NAIL
  - 銅合金
  - COPPER ALLOY
  - 銅メッキ 1.0 マイクロメートル以上
  - TIN 1.0 MICROMETER MINIMUM
  - ニッケル下地 1.0 マイクロメートル以上
  - NICKEL (UNDER PLATING) 1.0 MICROMETER MINIMUM
- △3 パターンはくり止め用金具  
FITTING NAIL FOR PREVENTION OF PEELING OF P.C.B. PATTERN.
- 4. エンボスタープ梱包時は、アクチュエータがロックした状態とする。  
IN THE PACKAGE, ACTUATOR OF PART NO. 52207-\*\*-19 SHOULD BE LOCKED.
- △ ケーブル挿入深さ  
INSERTION DEPTH OF CABLE.
- △6 パターン書き込み禁止エリア。  
NO FOOT PRINT AREA.
- 7. 本製品は 52207-\*\*-17 の鉛フリー品である。  
THIS PRODUCT IS LEAD FREE OF 52207-\*\*-17.
- 8. ELV及びRoHS適合品  
ELV AND ROHS COMPLIANT

FPCについて:

- 打抜き方向は導体側から補強板を推奨致します。
- 補強フィルム材質はポリイミドを推奨致します。
- 接着剤は熱硬化接着剤を推奨致します。
- ABOUT FPC:  
RECOMMENDED PUNCHER DIRECTION : FROM CONDUCTOR SIDE TO STIFFENER BOARD SIDE.
- RECOMMENDED MATERIAL :  
STIFFENER FILM : POLYIMIDE  
BONDING AGENT : THERMOSETTING BONDING AGENT

SEE SHEET 1 EC NO: J2011-0135 DRWN: SANUMA 2010/07/26 CHKD: TAKAHASHI 2010/07/27 APPR: KMORIKAWA 2010/07/28	DESCRIPTION REV: D	GENERAL TOLERANCES (UNLESS SPECIFIED)		DIMENSION STYLE MM ONLY		SCALE ---	DESIGN UNITS METRIC	THIRD ANGLE PROJECTION		
		10 UNDER	± 0.2	DRAWN BY MNINOMIY	DATE '04/02/06	TITLE 1.0 PITCH FPC CONN ZIF SMT -LEAD FREE-				
		10 OVER 30 UNDER	± 0.25	CHECKED BY KTOJO	DATE '04/02/06	APPROVED BY MSASAO				
		30 OVER	± 0.3	DATE '04/02/06	MATERIAL NO. SEE SHEET 1 OF 2					
ANGULAR ± 3 °		DRAFT WHERE APPLICABLE MUST REMAIN WITHIN DIMENSIONS		SIZE A3		DOCUMENT NO. SD-52207-060		SHEET NO. 2 OF 2		
THIS DRAWING CONTAINS INFORMATION THAT IS PROPRIETARY TO MOLEX INCORPORATED AND SHOULD NOT BE USED WITHOUT WRITTEN PERMISSION										