

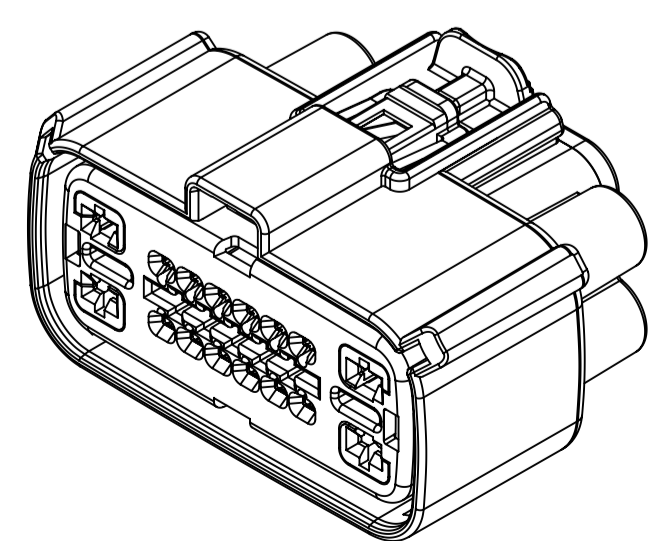
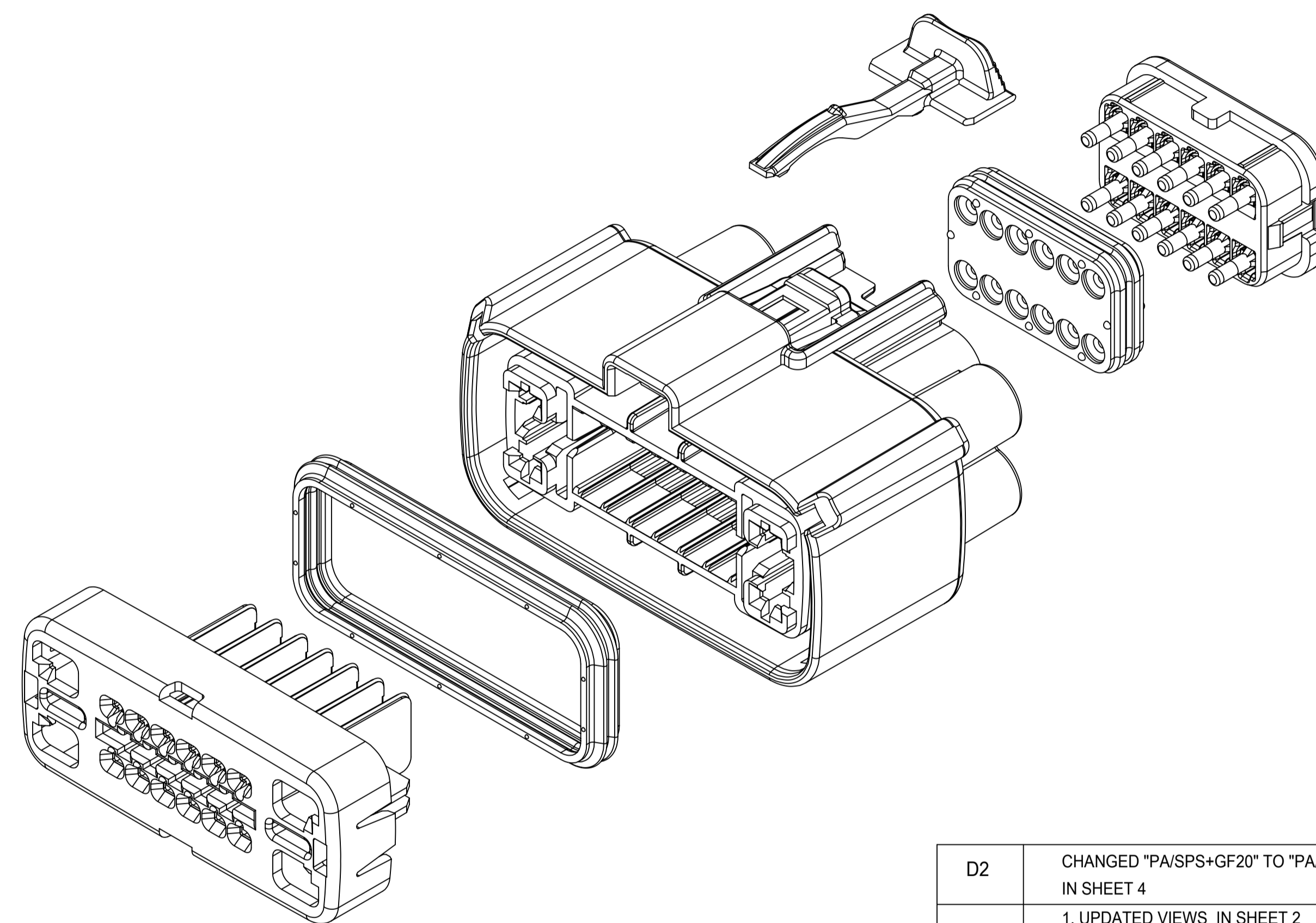
TABLE OF CONTENTS	
SHEET NO.	SHEET DESCRIPTION
1	NOTES AND BOM
2	CONFIGURATIONS
3	KEY CONFIGURATIONS
4	RECEPTACLE CONNECTOR ASSEMBLY

NOTES: VALID UNLESS OTHERWISE SPECIFIED

1. GENERAL:
- a. APPLICATION SPECIFICATION SEE: AS-33472-100
- CONTAINS: PRODUCT INTRODUCTION, PRODUCT SUMMARY, CONNECTOR ASSEMBLY, PACKAGING INFORMATION, CONNECTOR MATING, SERVICE INSTRUCTIONS, ELECTRICAL CONTINUITY CHECKING, CRIMPING, AND TROUBLESHOOTING.
 - DESIGNED TO MATE WITH DEVICE OR CONNECTOR AS SPECIFIED IN THE MATING INTERFACE/CONNECTOR DRAWINGS CHART.
 - *DENOTES DRAWINGS THAT CAN BE ACCESSED AT <http://ewcap.uscarteams.org/>.
 - ASSEMBLY SHIPPED WITH PLR IN PRE-LOCK POSITION (SEE PLR PRE-LOCK VIEW SHEET 4).
- b. PRODUCT SPECIFICATION SEE: PS-33476-000
- CONTAINS: PRODUCT INTRODUCTION, PRODUCT SUMMARY, RATINGS (CURRENT, TEMPERATURE, SEALING, AND FLAMMABILITY), TERMINALS, WIRE DIAMETER RANGE, PRODUCT VALIDATION, AND PRODUCT DEVIATIONS.
- c. PACKAGING SPECIFICATION PER MOLEX DRAWING: SEE PACKAGING CHART
- d. PARTS MUST BE IN COMPLIANCE TO MOLEX CHEMICAL SUBSTANCES FOR PRODUCTS AND PACKAGING SPECIFICATION: QEHS-699000-300
- e. DATA MUST BE SUBMITTED UNDER THE MOLEX PART NUMBER TO IMDS (COMPANY ID#13255)
2. DESIGN - MATERIALS:
- a. SEE BOM TABLE IN SD-34985-8002
3. DESIGN - GEOMETRY:
- a. THE 3-D CAD DATA IS BASIC (WITHOUT TOLERANCE) AND MASTER FOR THIS PART WITH THE EXCEPTION OF UNDERLINED DIMENSIONS. DIMENSIONAL INFORMATION NOT SHOWN ON THIS DRAWING IS DEFINED BY THE DATA FILE AT ITS LATEST REVISION.
- b. GEOMETRIC DIMENSIONS AND TOLERANCES PER ASME Y14.5M-2009
- c. EDGES AND UNDIMENSIONED DETAILS PER ISO13715
- d. CORNERS SHOWN AS SHARP TO BE R 0.2 MAX.
- e. LETTERING SHALL BE 0.15 MAX RAISED IN 0.25 MAX RECESS PAD. THIS INCLUDES RECYCLING CODE, CAVITY ID, VENDOR IDENTIFICATION, AND CUSTOMER MATERIAL NUMBER.
- f. VISUAL DEFECTS SHALL MEET COSMETIC STANDARD PS-45499-002 (Class B).
- g. LASER MARKING:
1. PART NUMBER
 2. DAY OF THE YEAR
 3. SHIFT
 4. YEAR
- FOR ADDITIONAL INFORMATION SEE SECTION 5 UNDER PROCEDURES IN ES-34735-008.

PACKAGING	
DESCRIPTION	DRAWING NO.
W/ CLIPSLOT	PK-30907-895
W/O CLIPSLOT	PK-31300-094

MATING INTERFACE/CONNECTOR DRAWINGS		
DESCRIPTION	INTERFACE DEFINITION	MOLEX INLINE
W/O SHORTING BAR	*999-S-016-2-Z02	SD-34986-8001
W/ SHORTING BAR	N/A	SD-34986-8001



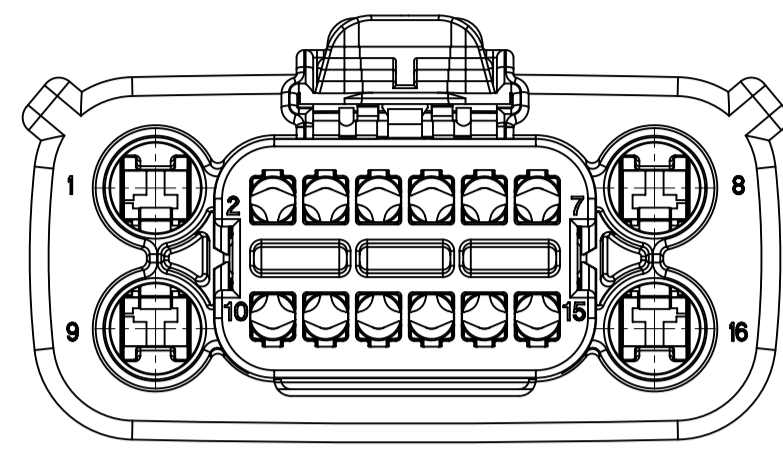
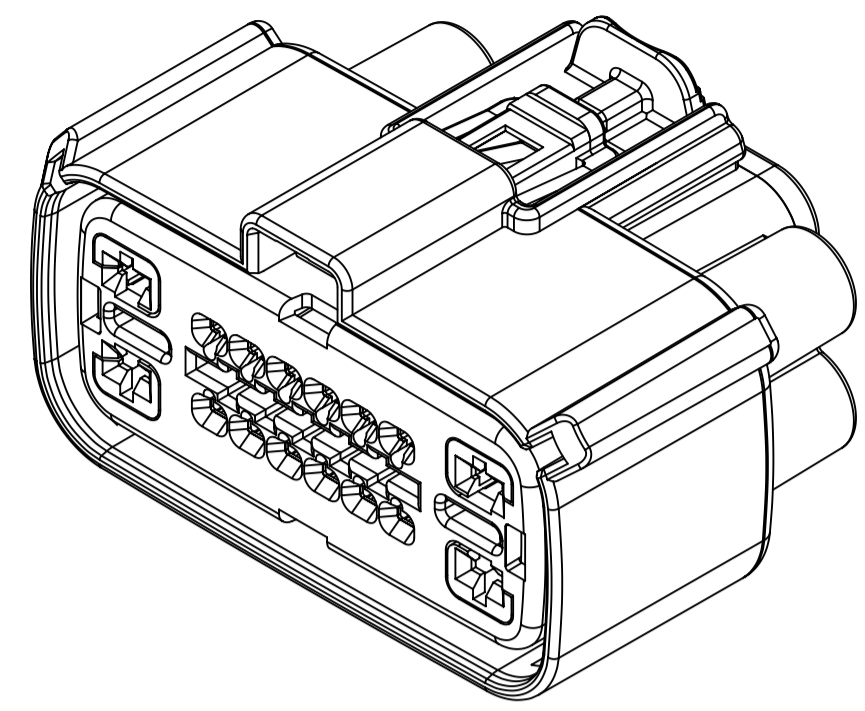
INSPECTION NUMBER LOG	
LAST NUMBER:	11
ADDED:	
REMOVED:	

D2	CHANGED "PA/SPS+GF20" TO "PA/SPS-GF20" IN SHEET 4
D1	1. UPDATED VIEWS IN SHEET 2 2. CHANGED DIM 10.98 TO 11.00, 6.61 TO 6.60, 15.00+/-0.10 TO 15.00+0.30/-0.20 IN SHEET 4
D	REMOVED BOM (REFER TO SD-34985-8002)
C	NEW P/N 34985-4026 THRU 4028
B	NEW P/N 34985-4023 THRU 4025
A2	UPDATED PACKAGING DWGS
A1	FIXED TYPO IN NOTE 1a
A	INITIAL RELEASE
REV	REV DESCRIPTION

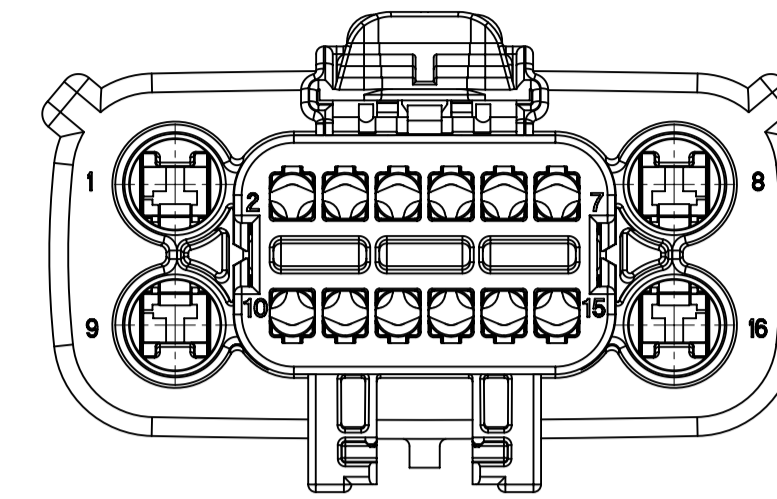
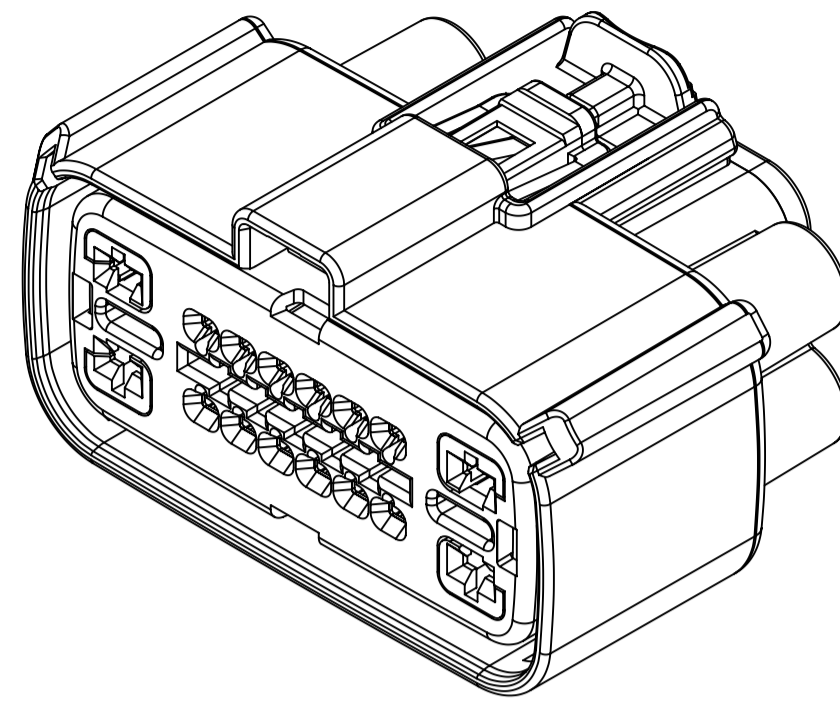
SYMBOLS	THIS DRAWING CONTAINS INFORMATION THAT IS PROPRIETARY TO MOLEX ELECTRONIC TECHNOLOGIES, LLC AND SHOULD NOT BE USED WITHOUT WRITTEN PERMISSION		CURRENT REV DESC:	
	DIMENSION UNITS	SCALE		
	mm	1.5:1		
	GENERAL TOLERANCES (UNLESS SPECIFIED)			
	ANGULAR TOL ± 3.0°			
	4 PLACES	±		
	3 PLACES	±		
	2 PLACES	± 0.1		
	1 PLACE	± 0.3		
	0 PLACES	±		
	DRAFT WHERE APPLICABLE MUST REMAIN WITHIN DIMENSIONS			
	THIRD ANGLE PROJECTION			
		DRAWING	SERIES	
		A1-SIZE	34985	
EC NO: 619601				
DRWN: HKLIANG 2019/07/25				
CHK'D: MVANSLAMBROU 2019/08/02				
APPR: MVANSLAMBROU 2019/08/02				
INITIAL REVISION:				
DRWN: TYE 2014/09/12				
APPR: VKOSHY 2014/09/22				
DOCUMENT NUMBER		DOC TYPE	DOC PART	REVISION
SD-34985-8001		PSD	001	D2
MATERIAL NUMBER		CUSTOMER		SHEET NUMBER
		GENERAL MARKET		1 OF 4

SHEET DESCRIPTION

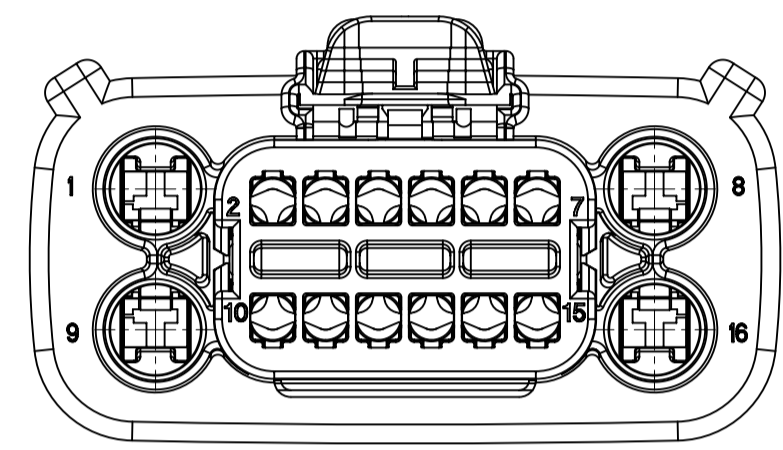
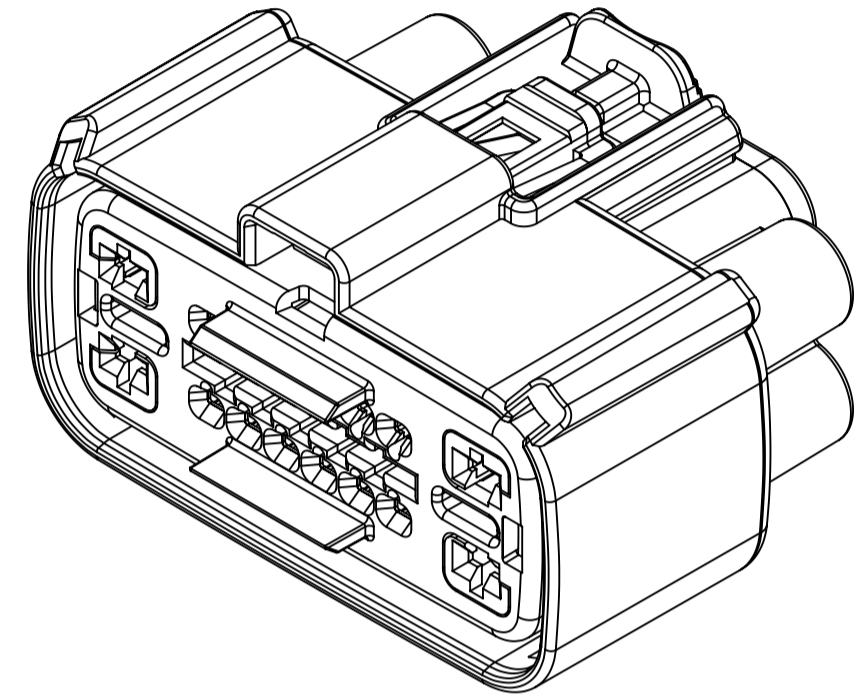
CONFIGURATIONS



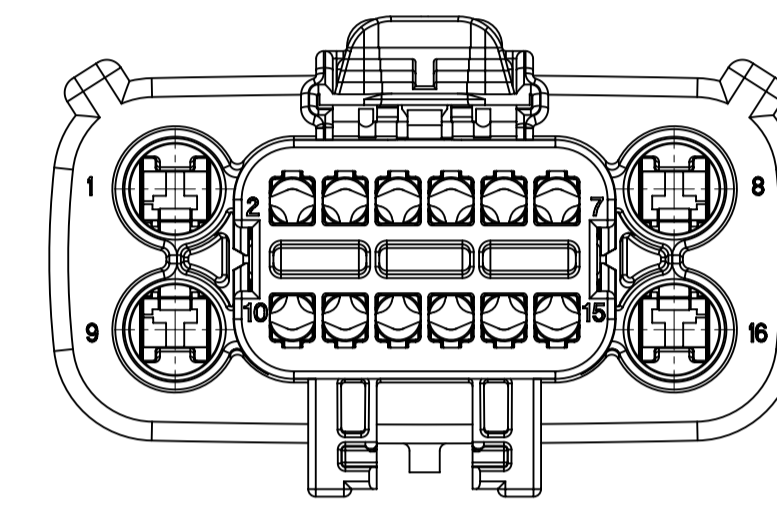
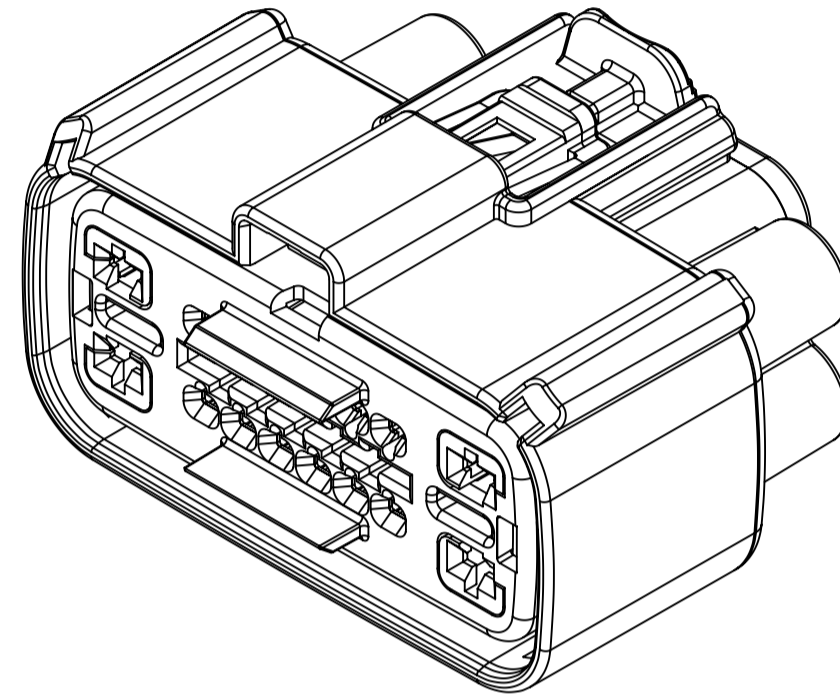
STANDARD (STD) - ALL OPEN 2.8mm CAVITIES



STANDARD (STD) - ALL OPEN 2.8mm CAVITIES WITH CLIPSLOT



SHORTING (SHRT) BAR - ALL OPEN 2.8mm CAVITIES

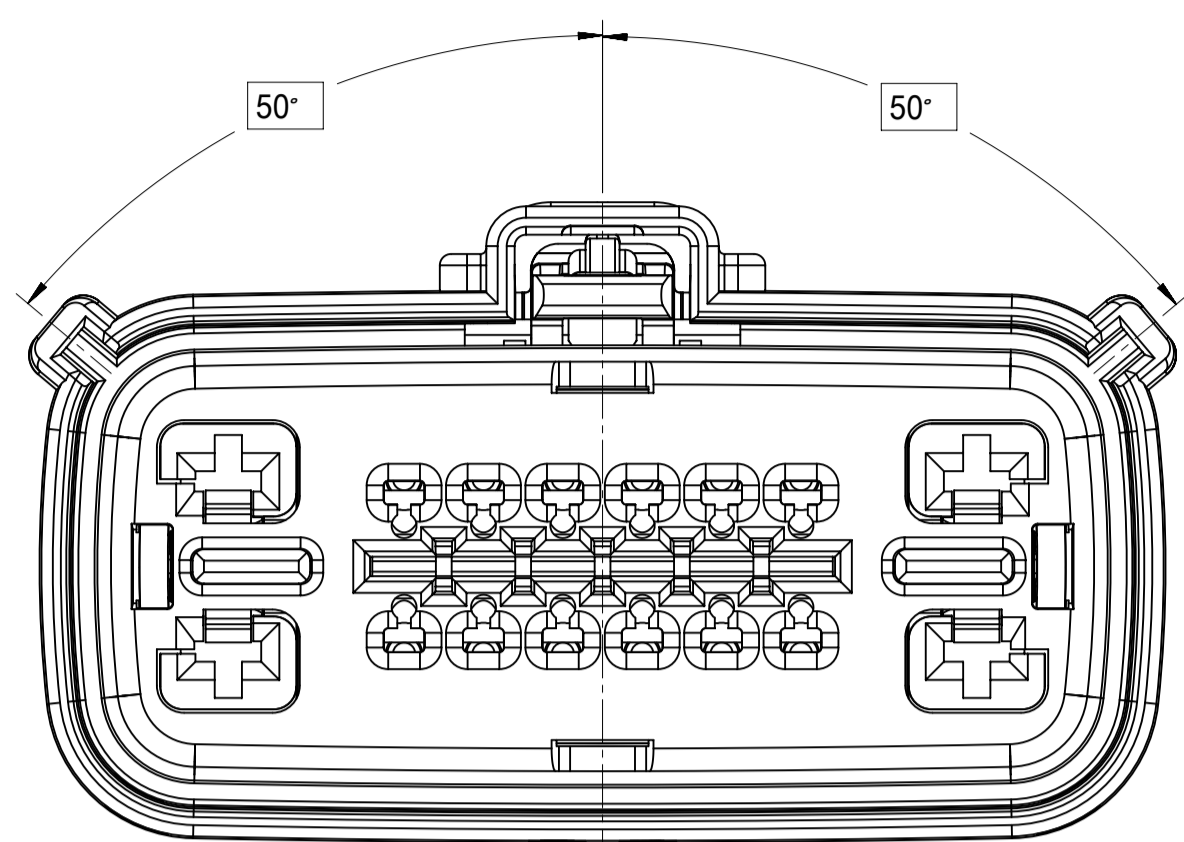


SHORTING (SHRT) BAR - ALL OPEN 2.8mm CAVITIES WITH CLIPSLOT

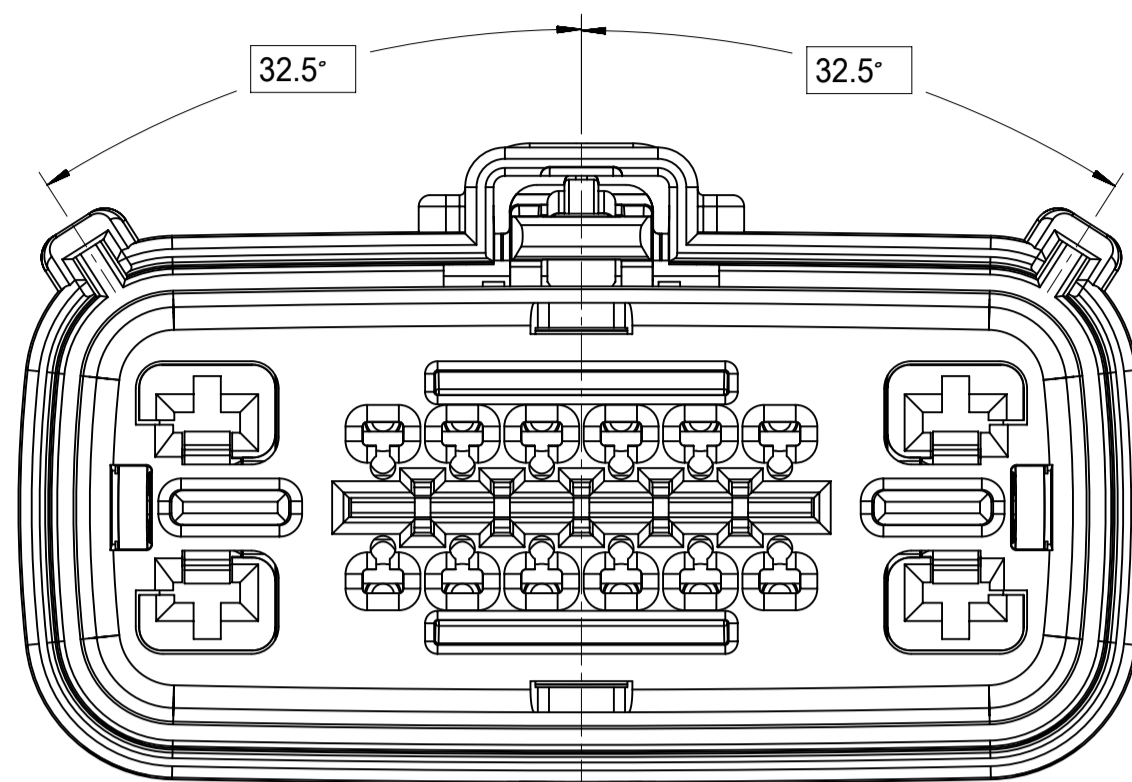
SYMBOLS	THIS DRAWING CONTAINS INFORMATION THAT IS PROPRIETARY TO MOLEX ELECTRONIC TECHNOLOGIES, LLC AND SHOULD NOT BE USED WITHOUT WRITTEN PERMISSION		CURRENT REV DESC:				
	DIMENSION UNITS	SCALE					
▽ = 0	mm	2:1	GENERAL TOLERANCES (UNLESS SPECIFIED)		CHK'D: MVANSLAMBROU	2019/08/02	PRODUCT CUSTOMER DRAWING
▽ = 0	ANGULAR TOL ± 3.0°		4 PLACES ±		APPR: MVANSLAMBROU	2019/08/02	
▽ = 0	3 PLACES ±		INITIAL REVISION:		DRWN: TYE	2014/09/12	DOCUMENT NUMBER
▽ = 0	2 PLACES ± 0.1		1 PLACE ± 0.3		APPR: VKOSHY	2014/09/22	
▽ = 0	1 PLACE ± 0.3		DRAFT WHERE APPLICABLE MUST REMAIN WITHIN DIMENSIONS		THIRD ANGLE PROJECTION	DRAWING	DOC TYPE DOC PART REVISION
▽ = 0	0 PLACES ±		A1-SIZE		SERIES	34985	
▽ = 0	0 PLACES ±		MATERIAL NUMBER		CUSTOMER	SHEET NUMBER	SD-34985-8001
			GENERAL MARKET		2 OF 4		

SHEET DESCRIPTION

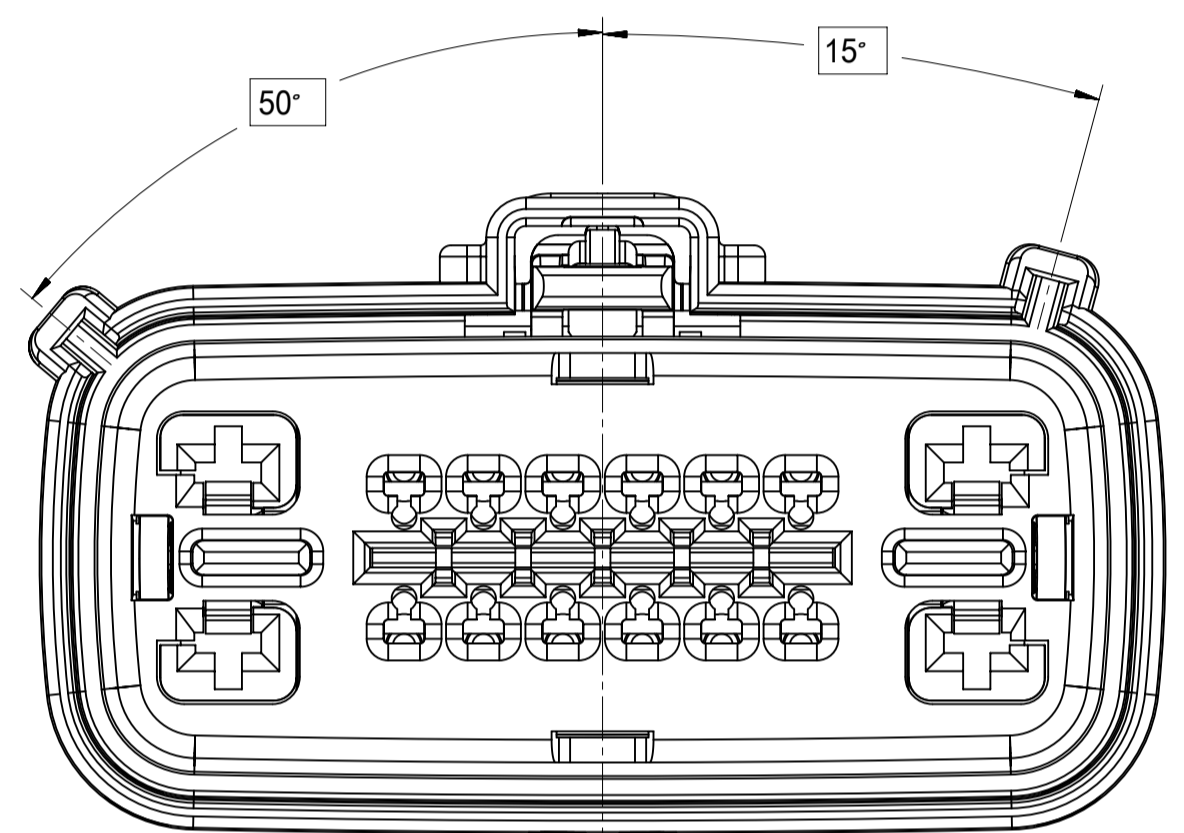
KEY CONFIGURATIONS



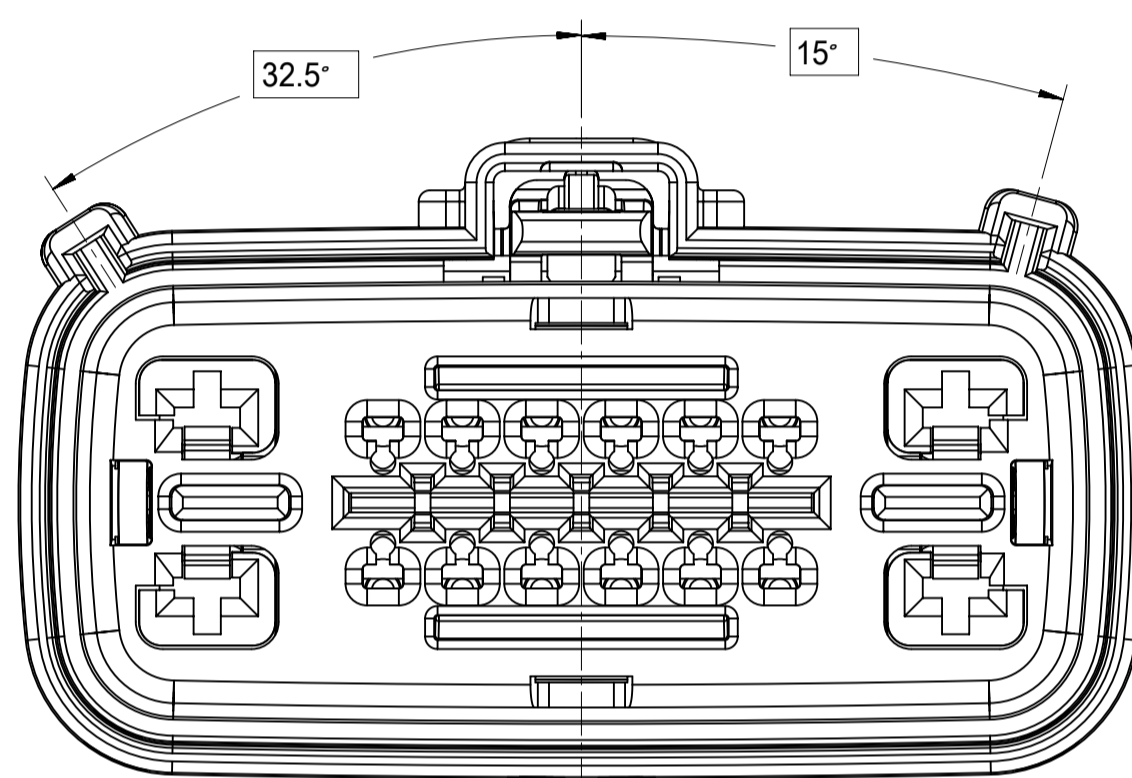
KEY A



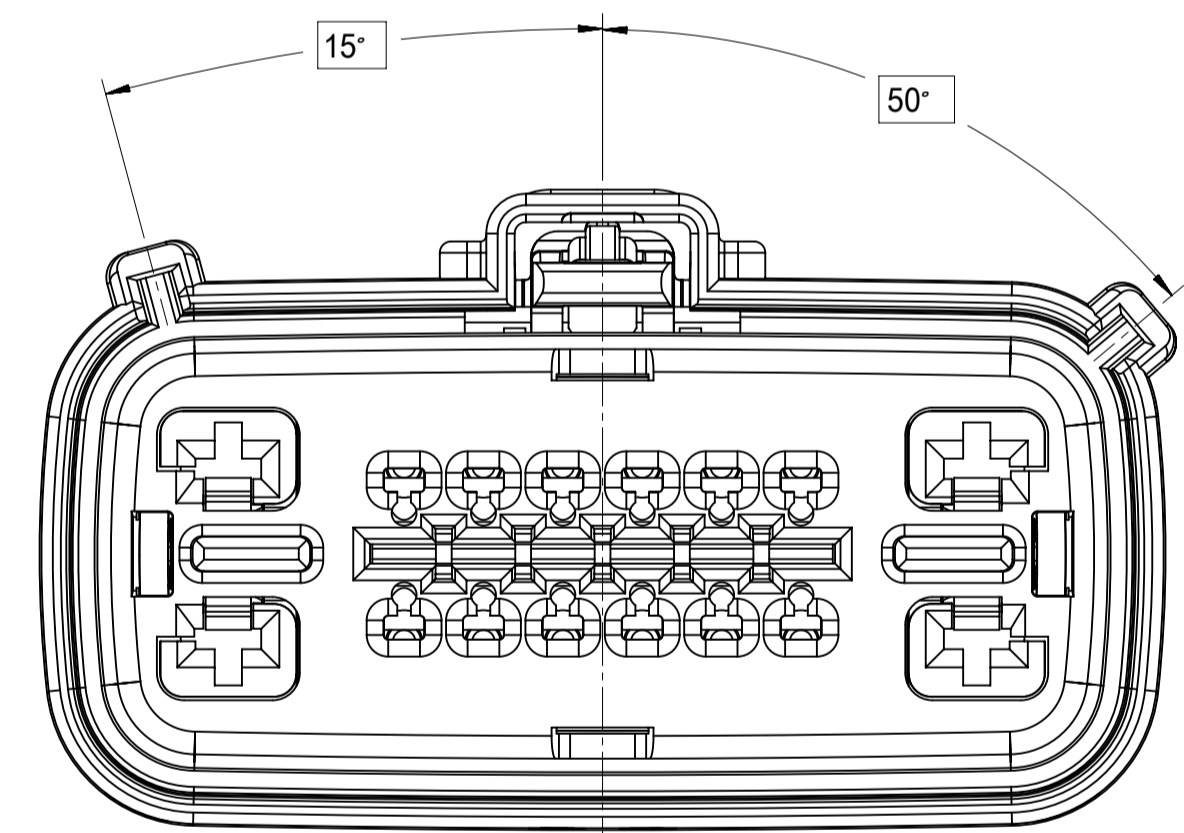
KEY E



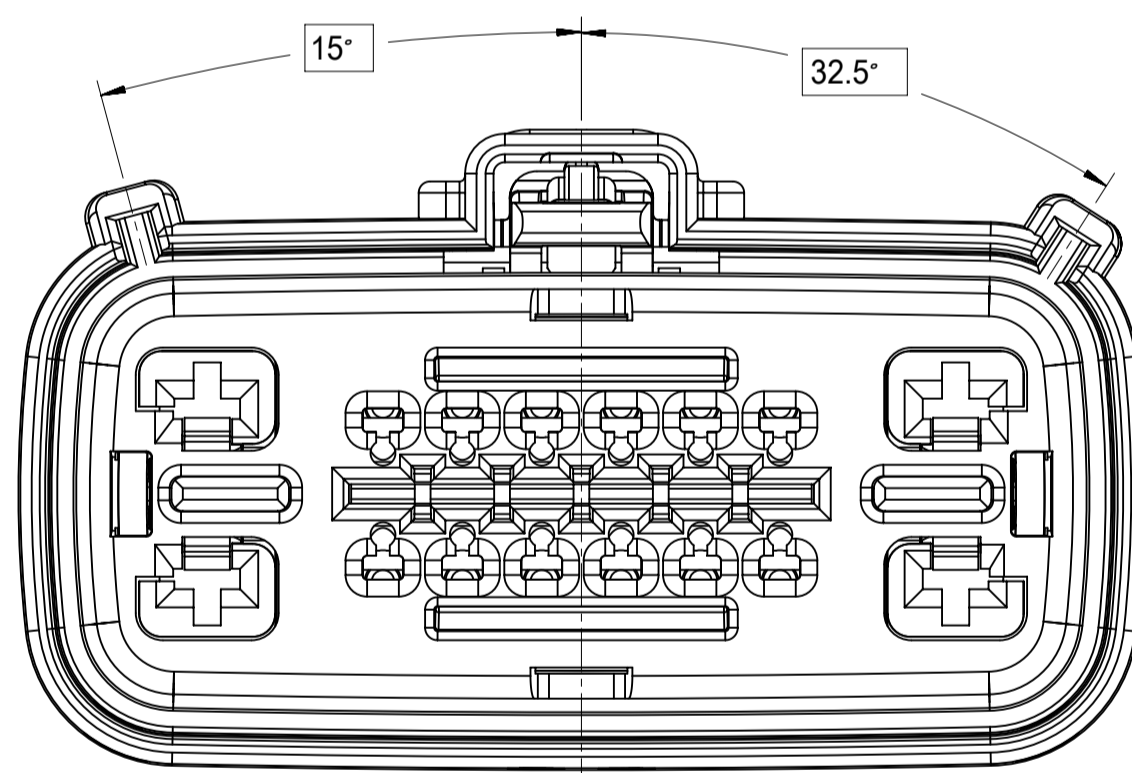
KEY B



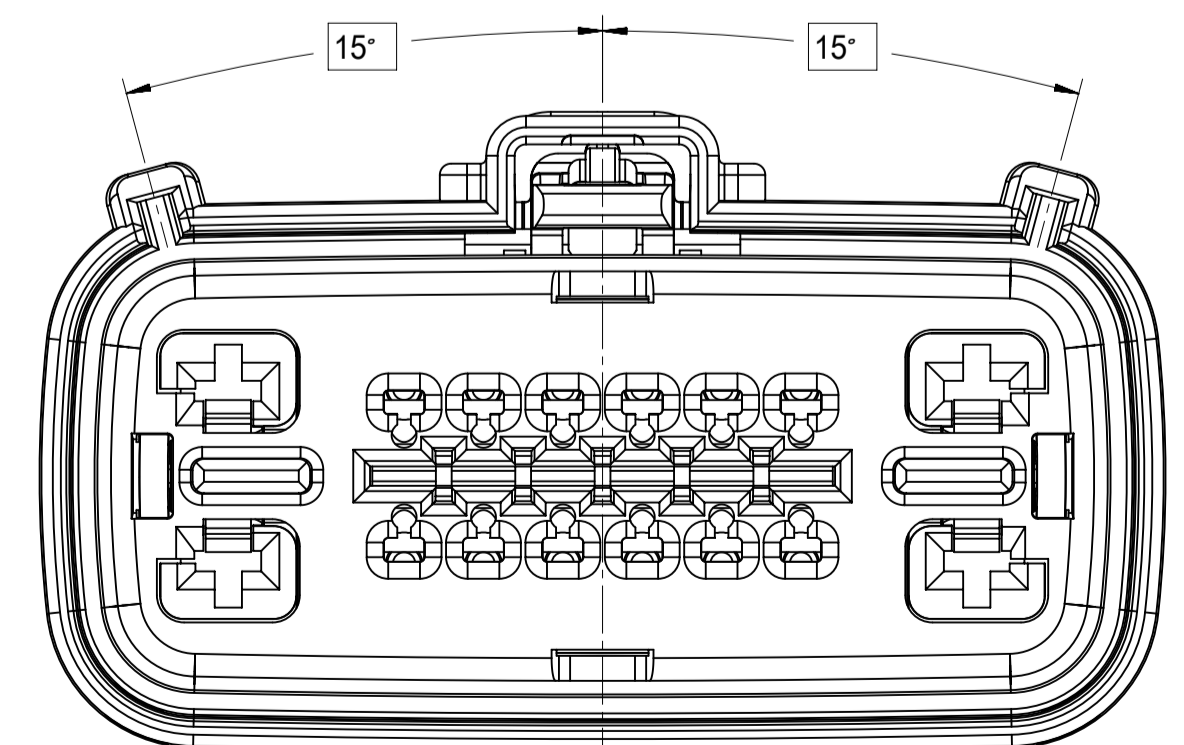
KEY F



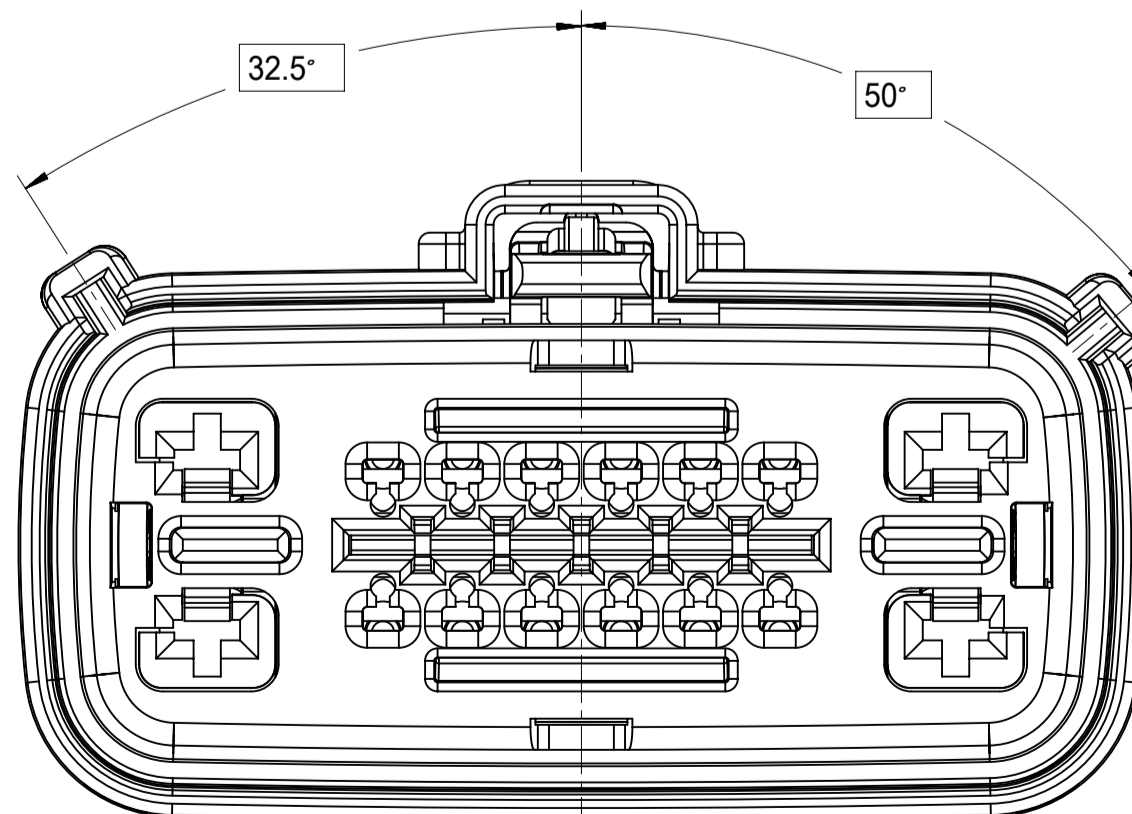
KEY C



KEY G



KEY D

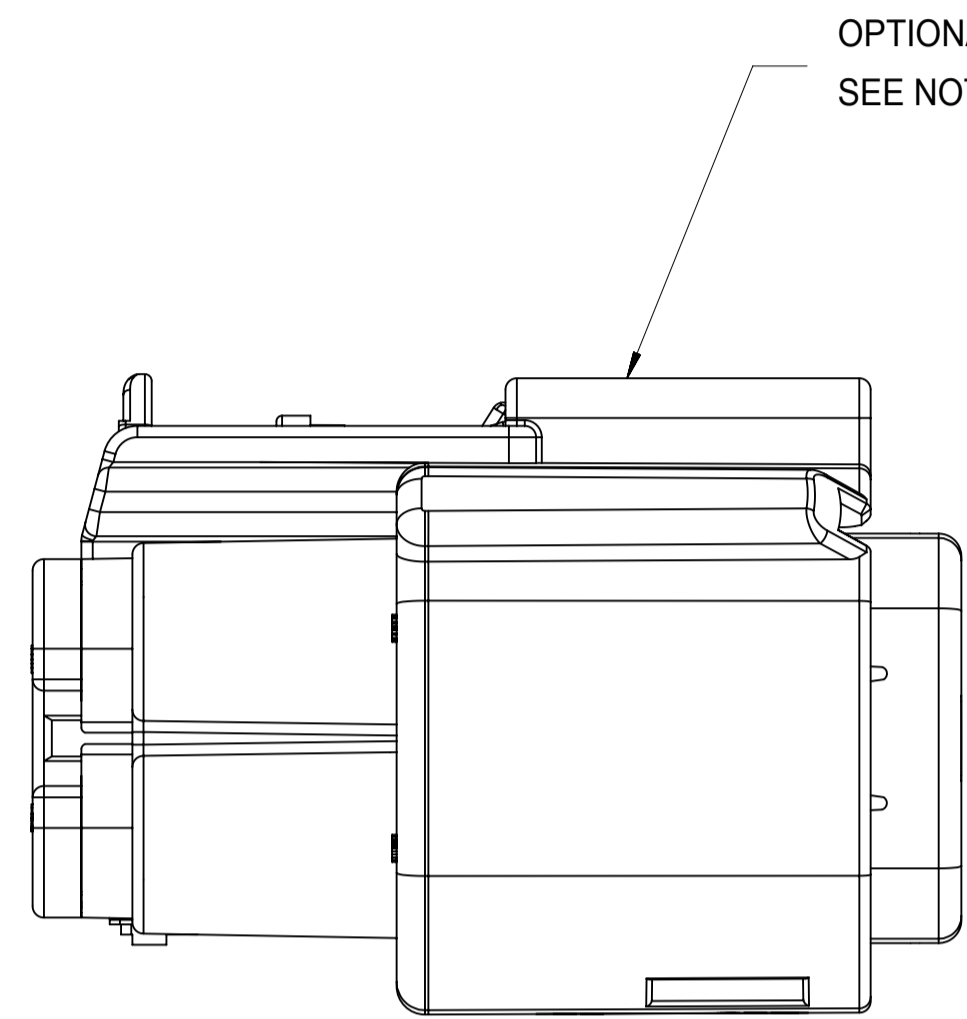


KEY H

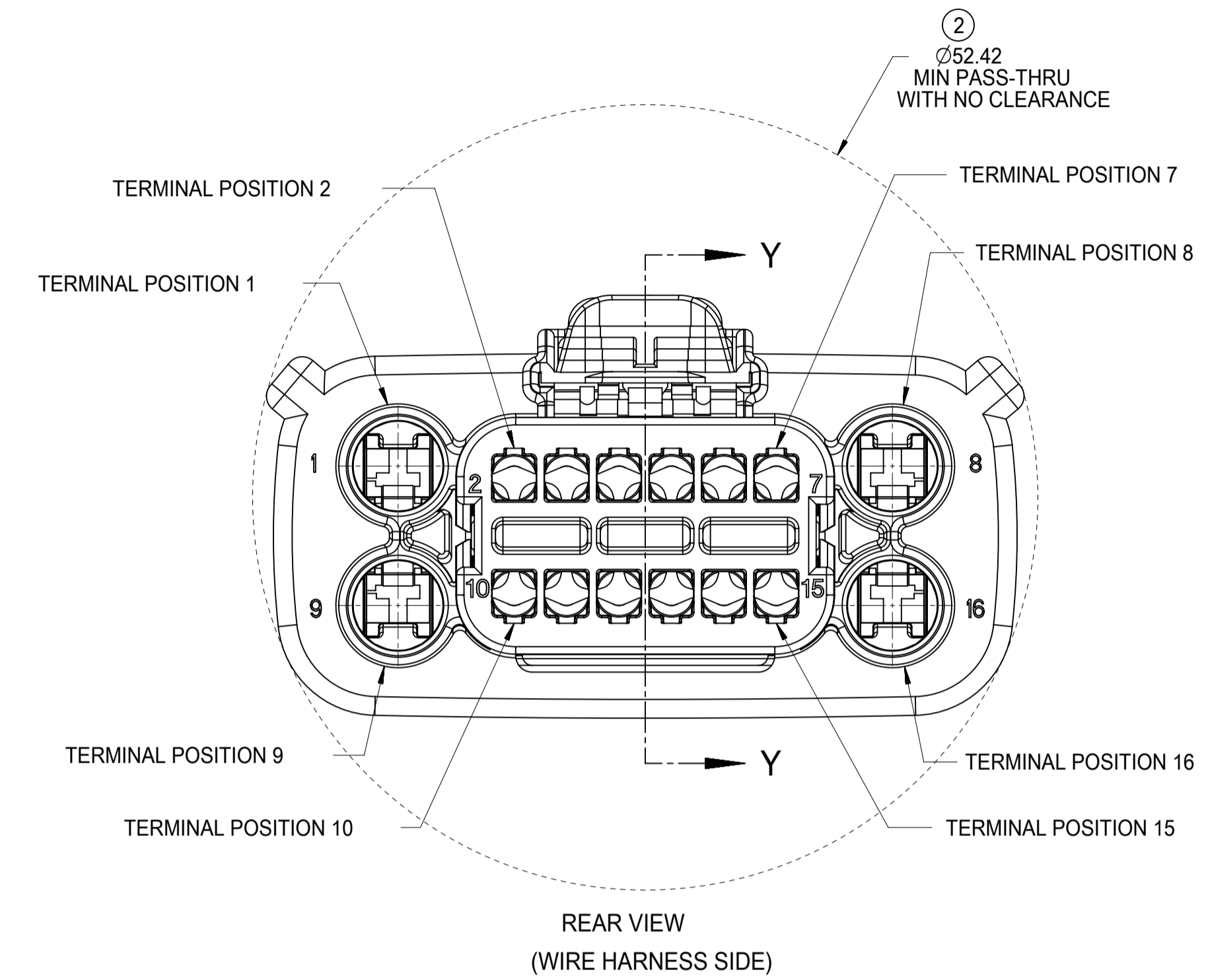
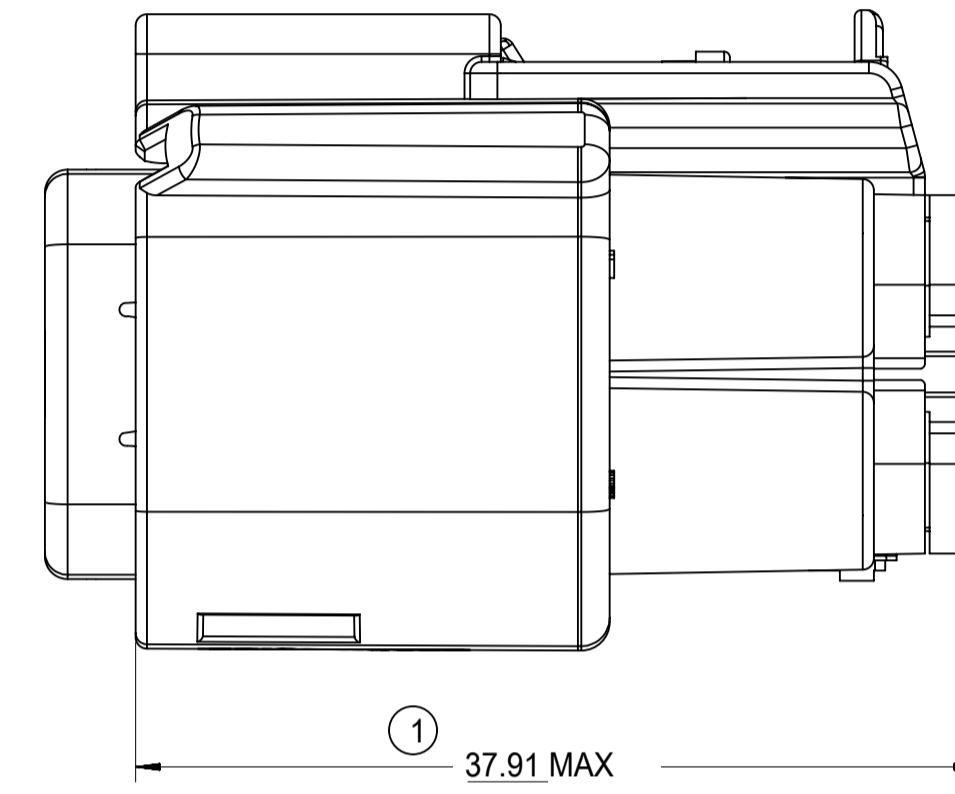
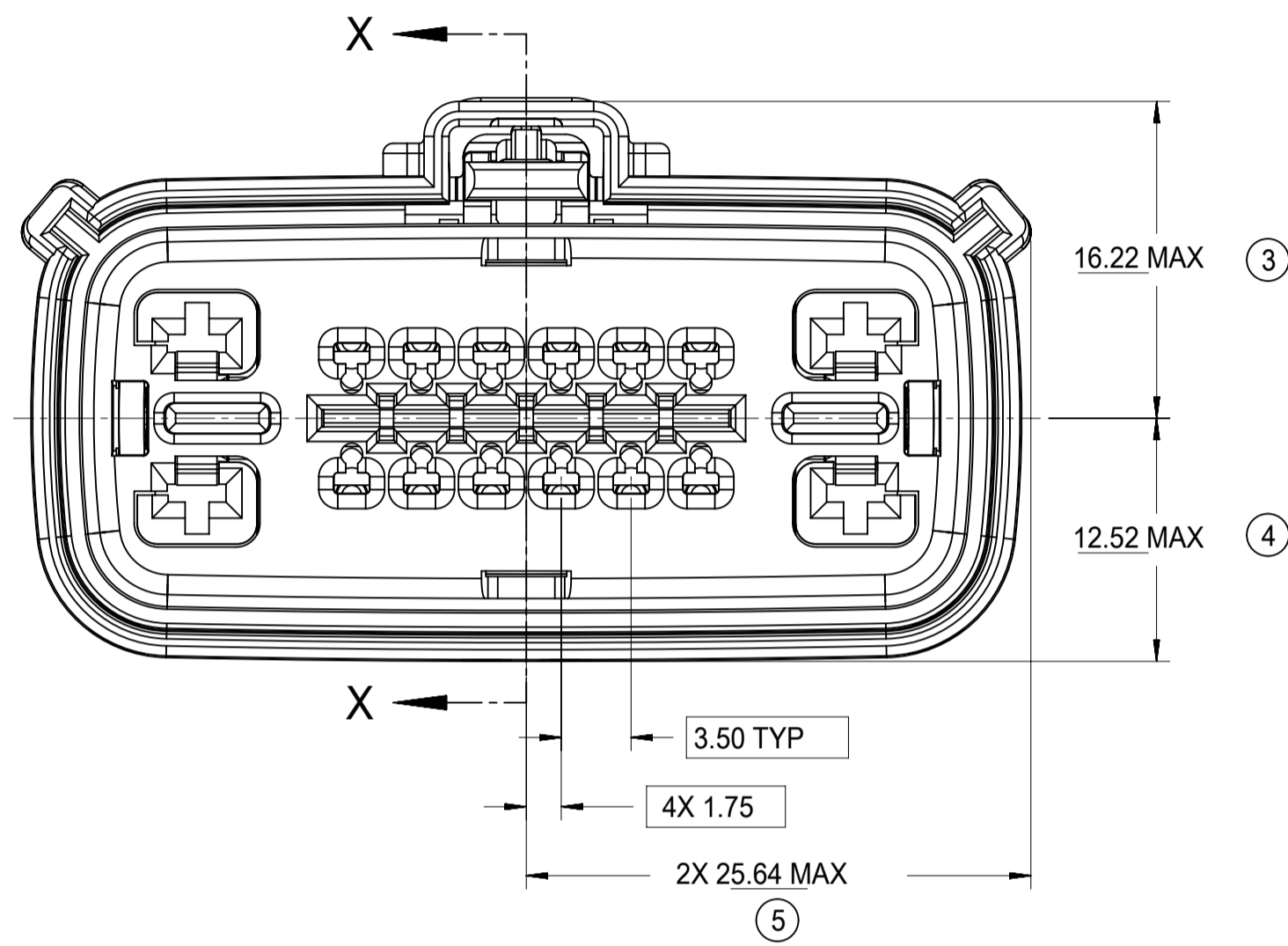
SYMBOLS = 0 = 0 = 0 = 0 = 0 = 0 = 0 = 0 = 0 = 0	THIS DRAWING CONTAINS INFORMATION THAT IS PROPRIETARY TO MOLEX ELECTRONIC TECHNOLOGIES, LLC AND SHOULD NOT BE USED WITHOUT WRITTEN PERMISSION		DIMENSION UNITS SCALE mm 3:1		CURRENT REV DESC: EC NO: 619601 DRWN: HKLIANG 2019/07/25 CHK'D: MVANSLAMBROU 2019/08/02 APPR: MVANSLAMBROU 2019/08/02		 MX150 16 WAY HYBRID RECPT SEALED ASSEMBLY					
	GENERAL TOLERANCES (UNLESS SPECIFIED)		ANGULAR TOL ± 3.0°		4 PLACES ± 3 PLACES ± 2 PLACES ± 0.1 1 PLACE ± 0.3 0 PLACES ±					PRODUCT CUSTOMER DRAWING		
DRAFT WHERE APPLICABLE MUST REMAIN WITHIN DIMENSIONS		THIRD ANGLE PROJECTION		DRAWING SERIES A1-SIZE 34985		INITIAL REVISION: DRWN: TYE 2014/09/12 APPR: VKOSHY 2014/09/22			DOCUMENT NUMBER SD-34985-8001	DOC TYPE PSD	DOC PART 001	REVISION D2
DOCUMENT STATUS P1 RELEASE DATE 2019/08/02 15:55:47		MATERIAL NUMBER CUSTOMER SHEET NUMBER GENERAL MARKET 3 OF 4										

SHEET DESCRIPTION

RECEPTACLE CONNECTOR ASSEMBLY



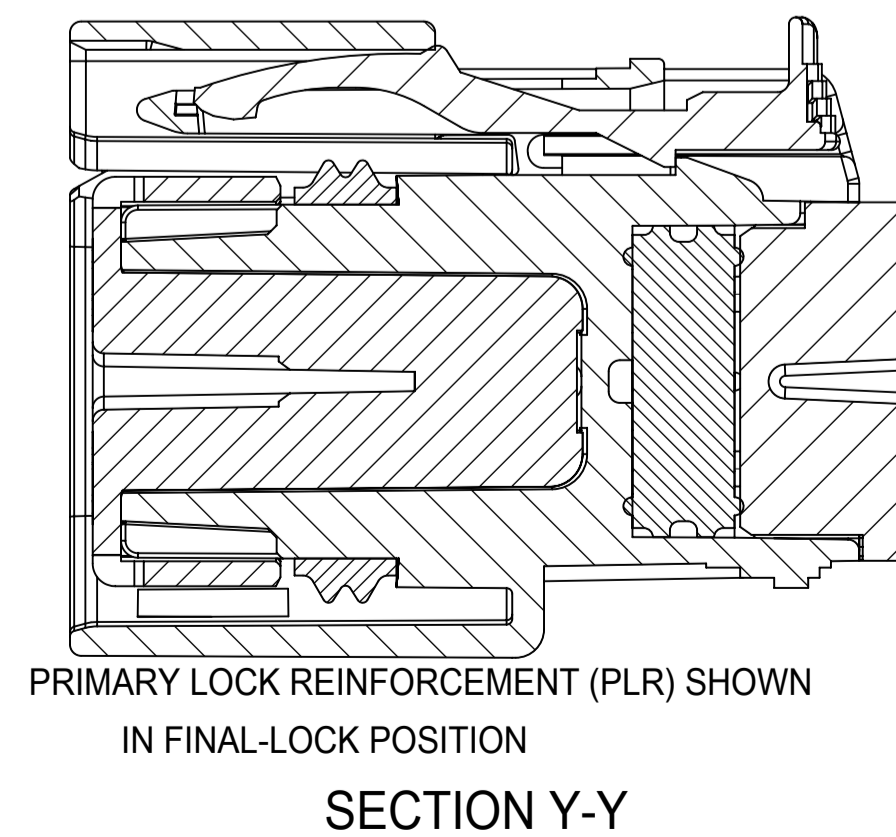
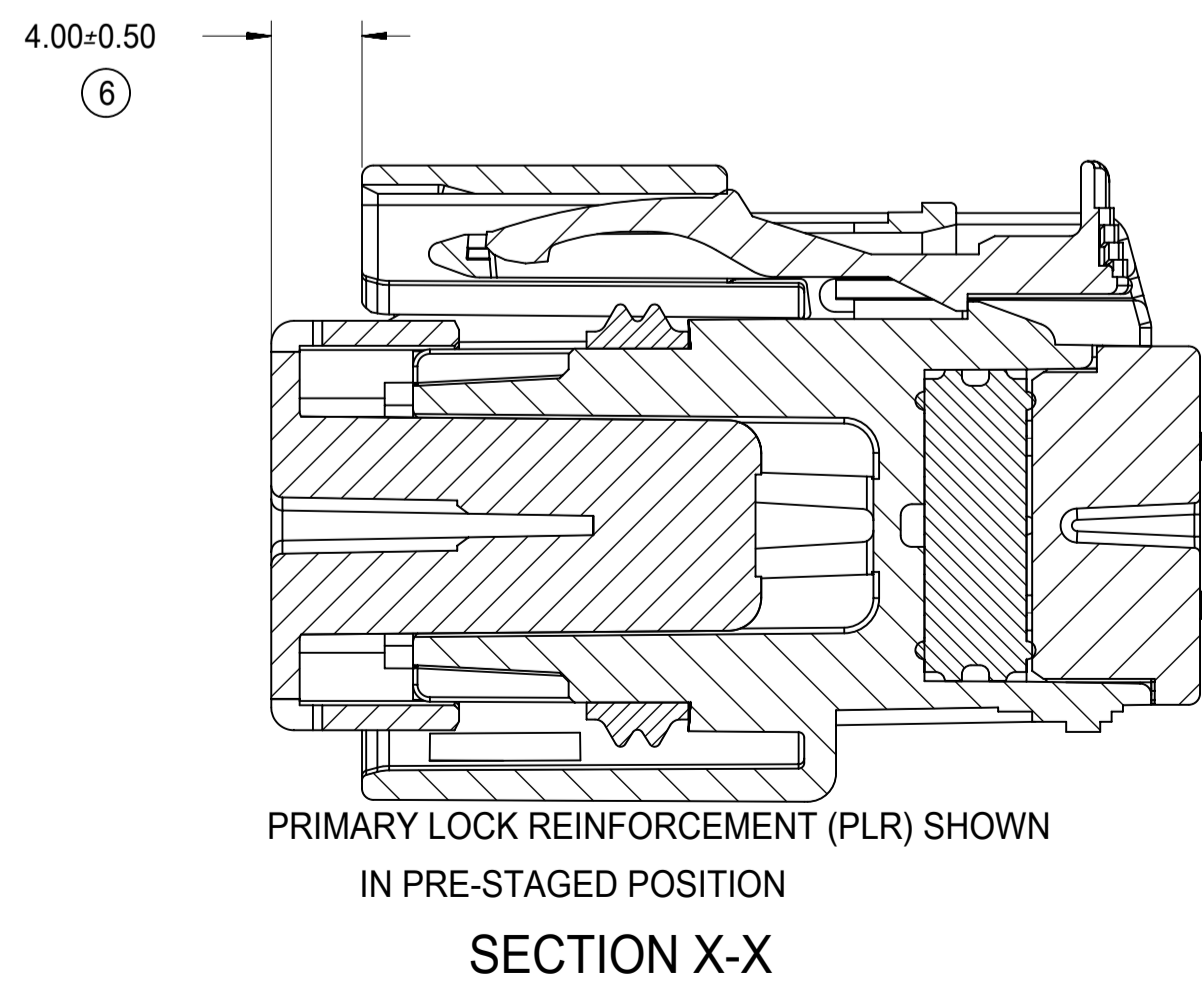
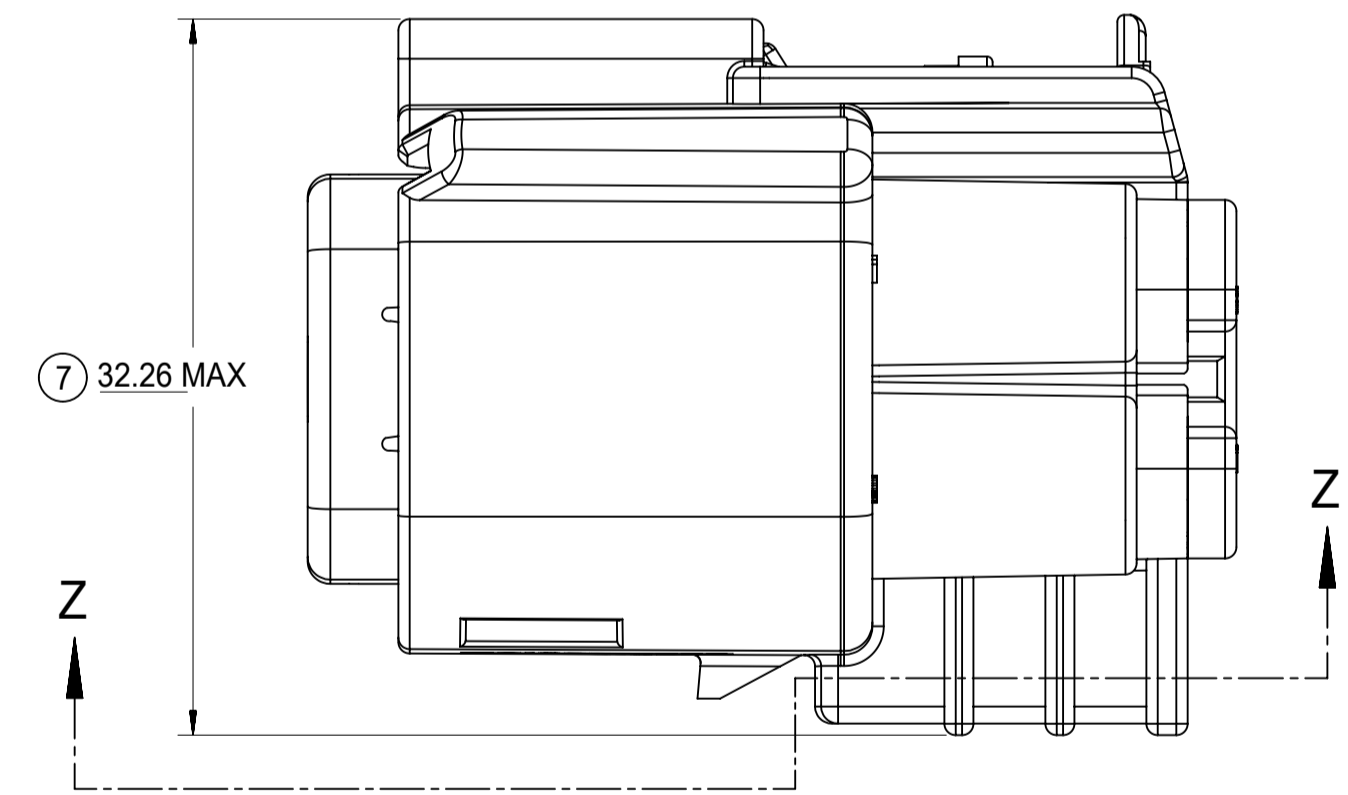
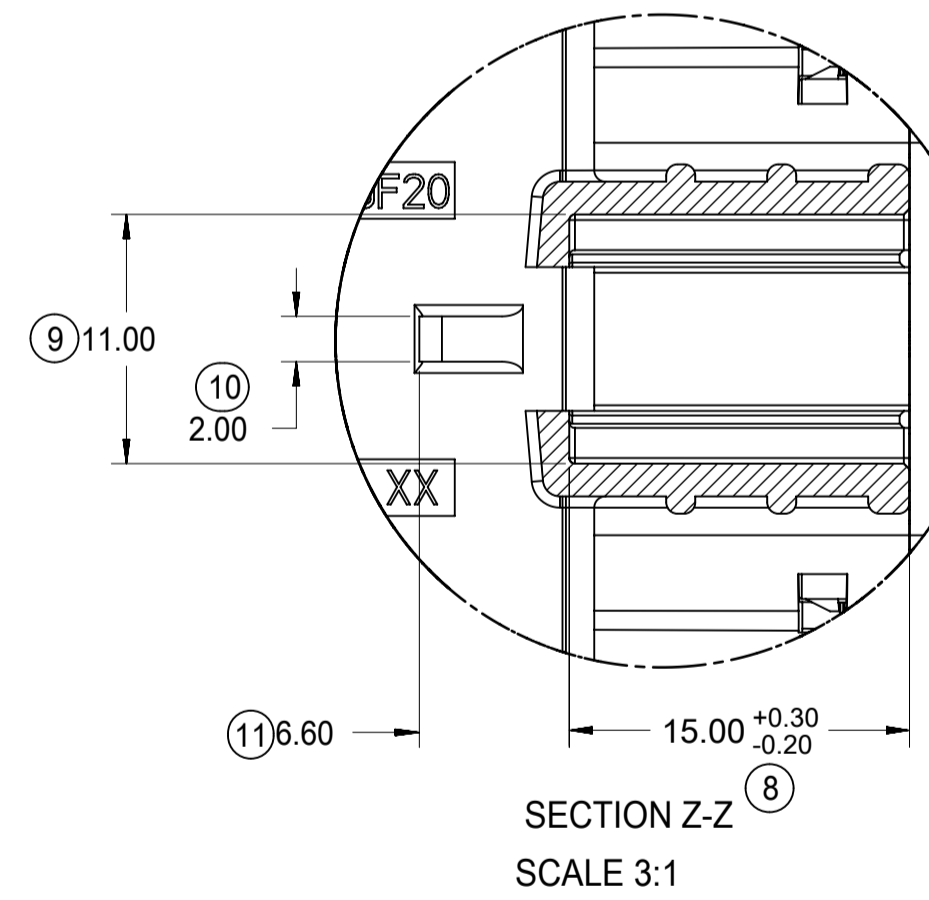
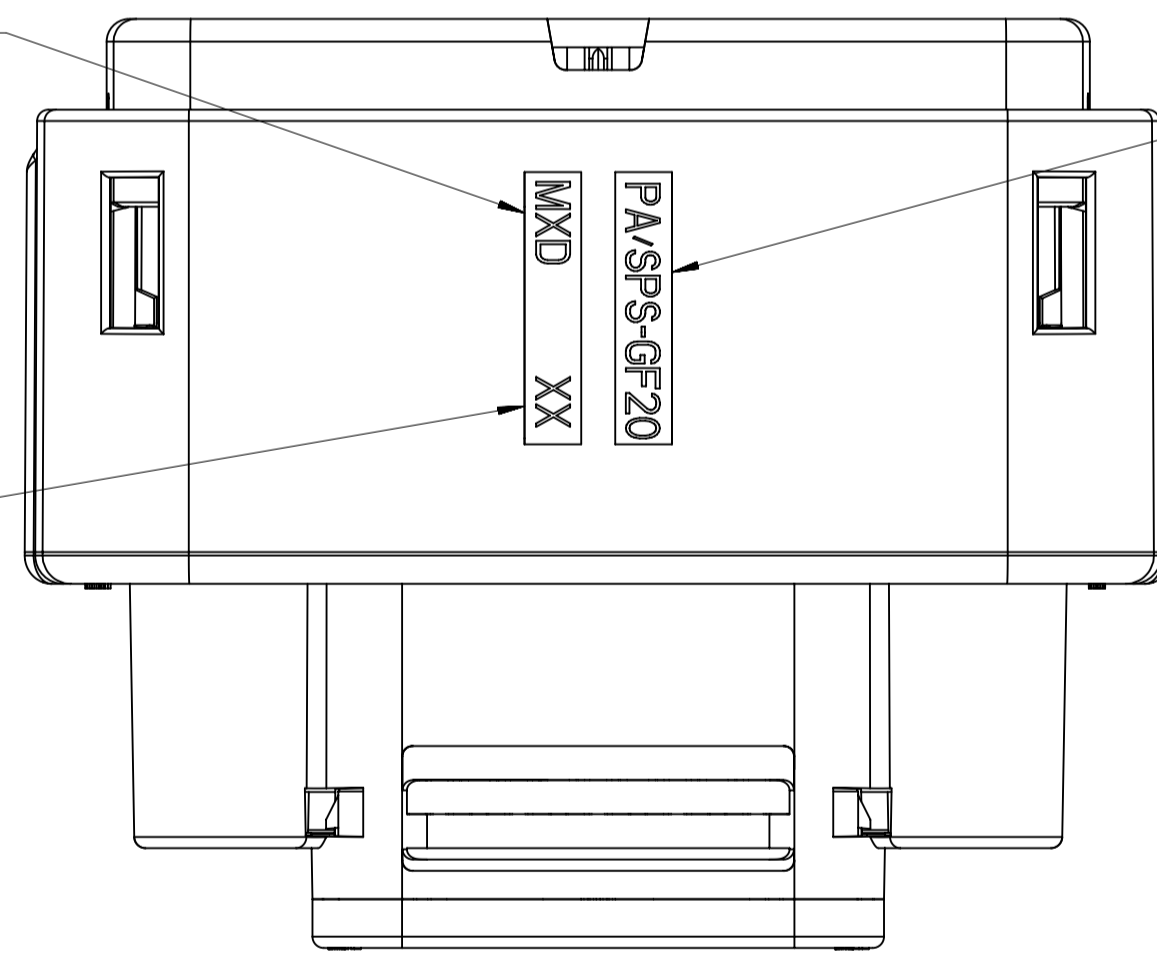
OPTIONAL LASER MARKING ON THIS SURFACE
SEE NOTE 3g.



MANUFACTURING LOCATION
CODE THIS LOCATION

RECYCLE CODE
THIS LOCATION

MOLD CAVITY I.D.
THIS LOCATION



SYMBOLS		THIS DRAWING CONTAINS INFORMATION THAT IS PROPRIETARY TO MOLEX ELECTRONIC TECHNOLOGIES, LLC AND SHOULD NOT BE USED WITHOUT WRITTEN PERMISSION		CURRENT REV DESC:		molex	
▽ = 0	mm	SCALE	3:1	EC NO: 619601		MX150 16 WAY HYBRID RECPT SEALED ASSEMBLY	
▽ = 0	GENERAL TOLERANCES (UNLESS SPECIFIED)			DRWN: HKLIANG	2019/07/25	PRODUCT CUSTOMER DRAWING	
▽ = 0	ANGULAR TOL ± 3.0°			CHK'D: MVANSLAMBROU	2019/08/02	DOCUMENT NUMBER: SD-34985-8001	
▽ = 0	4 PLACES	±		APPR: MVANSLAMBROU	2019/08/02	DOC TYPE: PSD	DOC PART: 001
▽ = 0	3 PLACES	±		INITIAL REVISION:		REVISION: D2	
▽ = 0	2 PLACES	± 0.1		DRWN: TYE	2014/09/12	MATERIAL NUMBER: 34985	
▽ = 0	1 PLACE	± 0.3		APPR: VKOSHY	2014/09/22	CUSTOMER: GENERAL MARKET	
▽ = 0	0 PLACES	±		DRAFT WHERE APPLICABLE MUST REMAIN WITHIN DIMENSIONS		SHEET NUMBER: 4 OF 4	
▽ = 0	THIRD ANGLE PROJECTION		DRAWING	SERIES		A1-SIZE 34985	

BOM AND PIN OUT SHEET

Table with columns: ASSEMBLY DESCRIPTION, ASSEMBLY PART NUMBER, COMPONENT (HOUSING KEY/COLOR, GROMMET CAP, PLR, CPA, MAT SEAL, RING SEAL), BLOCKED TERMINALS (1-16), STATUS, COMMENTS, and OPTIONAL ATTACHMENTS SOLD SEPERATELY (BACKSHELL WITH RIBS, BACKSHELL WITHOUT RIBS).

BOM AND PIN OUT SHEET

Table with columns: ASSEMBLY DESCRIPTION, ASSEMBLY PART NUMBER, COMPONENT (HOUSING KEY/COLOR, GROMMET CAP, PLR, CPA, MAT SEAL, RING SEAL), CAVITY WITH A NUMBER INDICATES BLOCKED TERMINAL POSITION, STATUS, COMMENTS, and OPTIONAL ATTACHMENTS SOLD SEPERATELY (BACKSHELL WITH RIBS, BACKSHELL WITHOUT RIBS).

MX150 16 WAY HYBRID RECEPTACLE SEALED ASSEMBLY MAT SEAL (WITHOUT CLIPSLOT, 2.8mm CAVITIES OPEN)
BOM AND PIN OUT SHEET

Table with columns: ASSEMBLY DESCRIPTION, ASSEMBLY PART NUMBER, COMPONENT (HOUSING KEY/COLOR, GROMMET CAP, PLR, CPA, MAT SEAL, RING SEAL), BLOCKED TERMINALS (1-16), STATUS, COMMENTS, and OPTIONAL ATTACHMENTS SOLD SEPERATELY (BACKSHELL WITH RIBS, BACKSHELL WITHOUT RIBS).

MX150 16 WAY HYBRID RECEPTACLE SEALED ASSEMBLY MAT SEAL (WITH CLIPSLOT, 2.8mm CAVITIES OPEN)
BOM AND PIN OUT SHEET

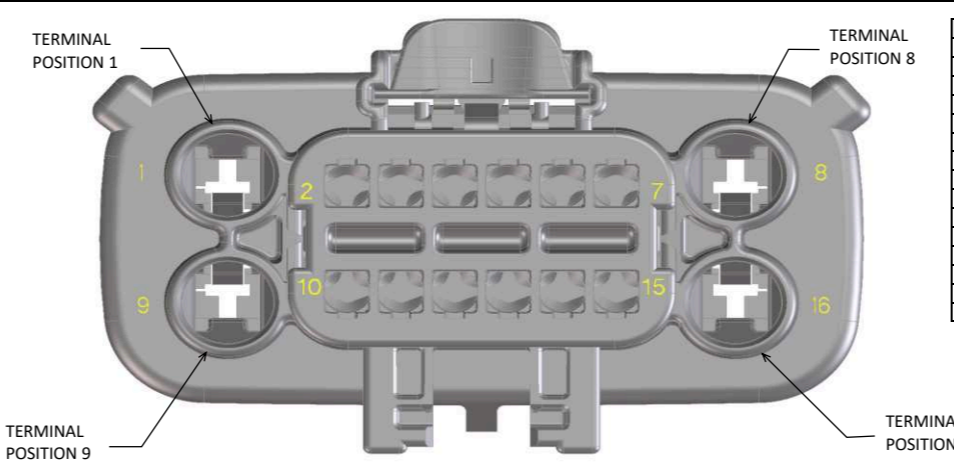
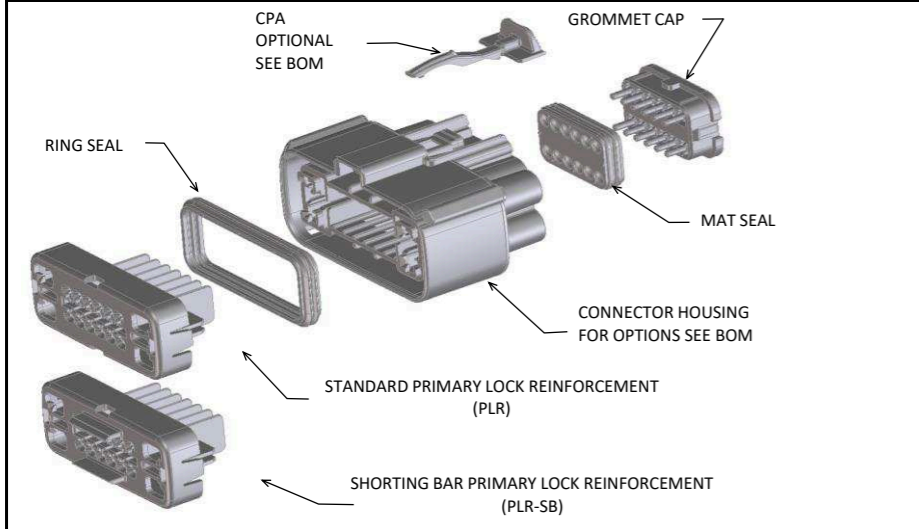


Table with 4 columns: ABBREVIATION, DESCRIPTION, COLOR, MATERIAL. Lists components like A-BLK-CLIP, B-LG-CLIP, etc., and their corresponding colors and materials.

Main assembly table with columns: ASSEMBLY DESCRIPTION, ASSEMBLY PART NUMBER, COMPONENT (HOUSING KEY/COLOR, GROMMET CAP, PLR, CPA, MAT SEAL, RING SEAL), BLOCKED TERMINALS (1-16), STATUS, COMMENTS, and OPTIONAL ATTACHMENTS SOLD SEPERATELY (BACKSHELL WITH RIBS, BACKSHELL WITHOUT RIBS).

